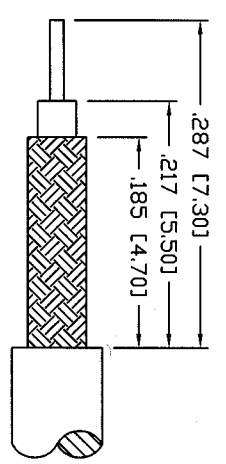
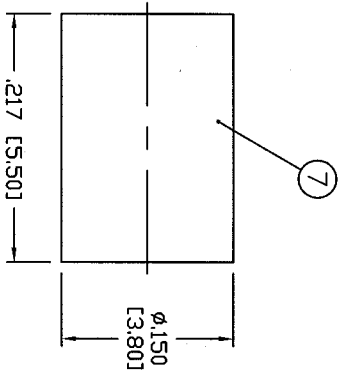
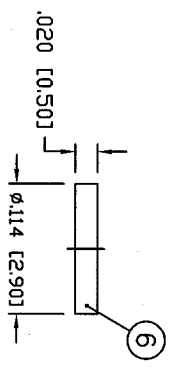
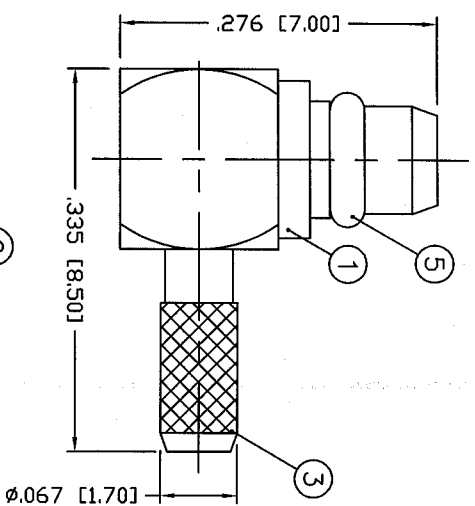


THIS DRAWING CONTAINS INFORMATION PROPRIETARY TO RF INDUSTRIES.
 ANY UNAUTHORIZED USE OF THIS DRAWING IS EXPRESSLY PROHIBITED
 WITHOUT WRITTEN PERMISSION FROM RF INDUSTRIES.
 ANY VIOLATION IS PUNISHABLE UNDER U.S. COPYRIGHT LAWS.

ALL DIMENSIONS ARE REFERENCE ONLY



RECOMMENDED
 CABLE STRIPPING DIMENSIONS

SPECIFICATIONS:

IMPEDANCE: 50 OHMS
 FREQUENCY RANGE: 0 TO 6 GHZ
 ENGAGEMENT FORCE: 8 lbs. MAX.
 DISENGAGEMENT FORCE: 1.4 lbs. MIN.
 INSULATION RESISTANCE: 1K M Ohms
 WORKING VOLTAGE: 170 Vrms AT SEA LEVEL
 FOR RG-178, 178A, 178B, 178B, 196, 196A/U

1	BODY	1	BASS	GOLD, 3	MICRO				
2	INSULATOR	1	PTFE						
3	FERRULE STUD	1	BASS	GOLD, 3	MICRO				
4	CONTACT	1	BASS	GOLD, 30	MICRO				
5	RETAINING RING	1	Ba. CU.	GOLD, 3	MICRO				
6	END CAP	1	BASS	GOLD, 3	MICRO				
7	FERRULE	1	COPPER	GOLD, 3	MICRO				
8									
9									
10									
11									
12									
13									
14									
#	DESCRIPTION	QTY	MATRL	FINISH		APPROVALS	DATE		

UNLESS OTHERWISE SPECIFIED:

1. REMOVE ALL BURRS
2. BREAK ALL CORNERS & EDGES .005 R. MAX.
3. CHAMFER 1ST & LAST THREADS 45°
4. SURFACE ROUGHNESS 63 FINISH MIL.-STD.-10
5. DIAMETERS ON COMMON CENTERS TO BE CONCENTRIC WITHIN .002 T.I.R.
6. ALL DIMENSIONS ARE AFTER PLATING.

DIMENSIONS ARE IN INCHES
 AND [MILLIMETERS]

UNLESS OTHERWISE NOTED
 TOLERANCES ARE:

DECIMALS .xxx±.003 [.08]
 DIAMETER .xxx±.001 [.03]
 .xx±.005 [.13]

PART NO.		RMX-9010-1A		
REV	DESCRIPTION	DWN	DATE	APPROVED
A	ENGINEERING RELEASE	CZS	8/25/99	JDMc
B	UPDATE DRAWING	CZS	2/4/00	JDMc
C	CHANGE DRAWING # FROM 9237B	CZS	8/2/00	JDMc
D	ADDED SPECS	JDMc	9/11/01	JDMc



7610 MIRAMAR RD
 SAN DIEGO, CA 92126
 (858) 549-6340
 (858) 549-6345 FAX

MMCX CRIMP PLUG

RIGHT ANGLE

SIZE	CABLE GROUP	DWG NO.	REV
A	A	RMX-9010-1A	D
SCALE:	NTS	CAD FILE	OUTLINE
SHEET	1	OF	1