

Specification Status: Released

Maximum Operating Voltage: 60V_{DC}

Fault Ratings at 20°C:
250V_{AC}, 3A, 10 applications
600V_{AC}, 60A, 1 application

- Additional Info at 20°C:**
- Resistance matched: 0.5 Ohm (measured 24 hours after reflow installation)
 - Line Balance: Tested in accordance with IEEE455
 - Helps equipment meet UL60950 (UL1459)

Lead Material: Tin plated brass

Configuration: Two PPTC devices per TSM600 part

Case Material:
Nylon Resin (UL94 V-0) 1000V dielectric rating

Marking:

 Manufacturer's Mark
 X TSM600-4 - Part Identification
 □ □ □ - Lot identification

Terminal Description:
 T1 = Tip In T4 = Tip Out
 R2 = Ring In R3 = Ring Out

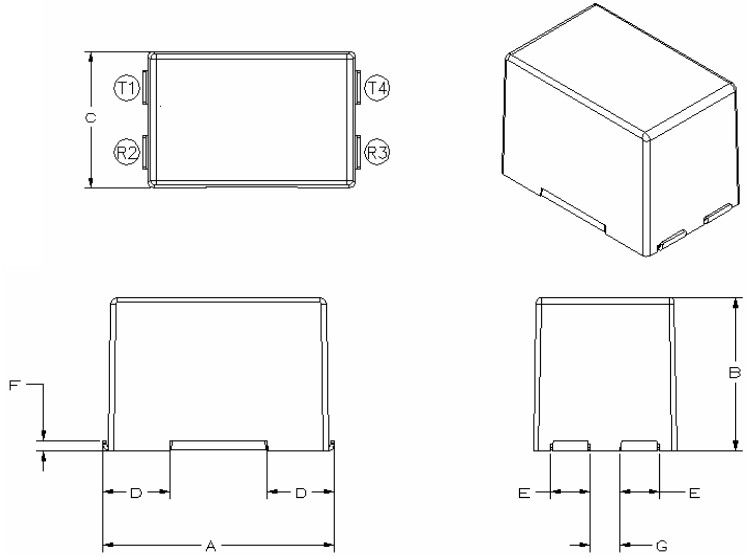


TABLE I. DIMENSIONS:

	A		B		C		D		E		F		G	
	MIN	MAX	MIN	MAX	MIN	MAX	MIN	MAX	MIN	MAX	MIN	MAX	MIN	MAX
mm:	17.0	17.6	11.2	11.7	10.4	11.2	4.8	5.2	2.5	2.8	0.6	1.0	2.2	3.1
in:	(0.671)	(0.691)	(0.440)	(0.460)	(0.410)	(0.440)	(0.187)	(0.203)	(0.099)	(0.111)	(0.022)	(0.038)	(0.087)	(0.122)

TABLE II. PERFORMANCE RATINGS @ 20°C:

HOLD CURRENT (A)	TRIP CURRENT (A)	RESISTANCE (Ω)**			TIME TO TRIP(Sec) @ 3A		OPERATING TEMPERATURE (°C)		TRIPPED POWER DISSIPATION (W) @ 250V _{DC} TYP
		R MIN	R TYP	R ₁ MAX*	TYP	MAX	MIN	MAX	
0.400	1.000	0.5	1.1	2.0	5.0	14.0	-40	85	2.0

*Maximum device resistance, measured 1-hour post reflow or post trip
 ** Resistance per PPTC device.

Storage Humidity: Per IPC/JEDEC J-STD-020A Level 2a
 Agency Recognitions: UL (File # E74889)
 Reference Documents: PS300, PS500
 Precedence: This specification takes precedence over documents referenced herein.
 Effectivity: Reference documents shall be the issue in effect on the date of invitation for bid.

MATERIALS INFORMATION

ROHS Compliant **ELV Compliant** **Pb-Free**