



PolySwitch Resettable Devices Radial-leaded Devices

TE Circuit Protection's PolySwitch radial-leaded products represent the most comprehensive and complete set of PPTC products available in the industry today.

- RGEF series for hold currents up to 14A
- RHEF series for flatter thermal derating and operating temperatures up to 125°C
- RUEF series for balance of voltage rating (30V) and hold current (up to 9A)
- RUSBF series for fast time-to-trip and low-resistance computer applications
- RXEF series for low hold currents (down to 50mA) and high voltage rating (up to 72V)
- RKEF series for balance of voltage rating (60V) and hold current (up to 5A)
- BBRF series for cable telephone applications
- Now offering RoHS versions of all products



Benefits

- Many product choices give engineers more design flexibility
- Compatible with high-volume electronics assembly
- Assists in meeting regulatory requirements
- Higher voltage ratings allow use in new applications

Features

- RoHS compliant
- Broadest range of radial-leaded resettable devices available in the industry
- Current ratings from 50mA to 15A
- Voltage ratings from 6V (computer and electronic applications) to 99V
- Agency recognition : UL, CSA, TÜV
- Fast time-to-trip
- Low resistance

Applications

- | | | |
|-----------------------------|----------------------------------|---------------------------------|
| • Satellite video receivers | • USB hub, ports and peripherals | • Phones |
| • Industrial controls | • IEEE1394 ports | • Fax machines |
| • Transformers | • CD-ROMs | • Analog and digital line cards |
| • Computer motherboards | • Game machines | • Printers |
| • Modems | • Battery packs | |

Application Selection Guide for Radial-leaded Devices

The guide below lists PolySwitch radial-leaded devices that are typically used in these applications. Specifications for the suggested device part numbers can be found in this section. Once a part number has been selected, the user should evaluate and test each product for its intended application.

PolySwitch Resettable Devices — Key Selection Criteria

| Protection Application | Small Size | Flatter Derating | Lower Current Higher Voltage |
|---|--------------------------|------------------|------------------------------|
| Electromagnetic loads | RGEF (<16V), RUEF (<30V) | RHEF (<16V) | RXEF (<72V), RKEF(<60V) |
| Halogen lighting | RGEF (<16V), RUEF (<30V) | RHEF (<16V) | RXEF (<72V), RKEF(<60V) |
| Lighting ballast | RXEF (<72V), BBRF (<99V) | | |
| Loudspeakers | RXEF (<72V) | | RXEF (<72V), RKEF(<60V) |
| Medical equipment | RGEF (<16V), RUEF (<30V) | RHEF (<16V) | RXEF (<72V), RKEF(<60V) |
| MOSFET devices | RGEF (<16V), RUEF (<30V) | RHEF (<16V) | RXEF (<72V), RKEF(<60V) |
| Motors, fans and blowers | RXEF (<72V), RGEF (<16V) | RHEF (<16V) | |
| POS equipment | RXEF (<72V), RUEF (<30V) | | |
| Process and industrial controls | RXEF (<72V), RUEF (<30V) | | |
| Satellite video receivers | RGEF (<16V), RUEF (<30V) | RHEF (<16V) | RXEF (<72V), RKEF(<60V) |
| Security and fire alarm systems | RGEF (<16V), RUEF (<30V) | RHEF (<16V) | RXEF (<72V), RKEF(<60V) |
| Test and measurement equipment | RGEF (<16V), RUEF (<30V) | RHEF (<16V) | RXEF (<72V), RKEF(<60V) |
| Transformers | RGEF (<16V), RUEF (<30V) | RHEF (<16V) | RXEF (<72V), RKEF(<60V) |
| DDC computer and consumer electronics | RUEF (<30V) | | |
| Mouse and keyboard | RUEF (<30V) | | |
| SCSI | RUEF (<30V) | | |
| USB | RUSBF (<16V) | | |
| Traces and printed circuit board protection | RGEF (<16V), RUEF (<30V) | RHEF (<16V) | RXEF (<72V), RKEF(<60V) |

Note: This list is not exhaustive. TE Circuit Protection welcomes customer's input for additional application ideas for PolySwitch resettable devices.

Table R1 Product Series - Current Rating, Voltage Rating / Typical Resistance for Radial-leaded Devices

| Voltage Rating | BBRF 99V | RXEF 72V | RKEF 60V | RXEF 60V | RUEF 30V | RGEF 16V | RHEF 16V | RHEF 30V | RUSBF 16V | RUSBF 6V |
|-------------------------|-------------|-------------|-------------|-------------|-------------|-------------|-------------|-------------|--------------|-------------|
| Hold Current (A) | | | | | | | | | | |
| 0.050 | — | — | — | 9.20Ω | — | — | — | — | — | — |
| 0.100 | — | — | — | 3.50Ω | — | — | — | — | — | — |
| 0.170 | — | — | — | 4.30Ω | — | — | — | — | — | — |
| 0.200 | — | 2.290Ω | — | — | — | — | — | — | — | — |
| 0.250 | — | 1.600Ω | — | — | — | — | — | — | — | — |
| 0.300 | — | 1.110Ω | — | — | — | — | — | — | — | — |
| 0.400 | — | 0.710Ω | — | — | — | — | — | — | — | — |
| 0.500 | — | 0.640Ω | 0.425Ω | — | — | — | — | 0.68Ω | — | — |
| 0.550 | 1.05Ω | — | — | — | — | — | — | — | — | — |
| 0.650 | — | 0.400Ω | 0.350Ω | — | — | — | — | — | — | — |
| 0.700 | — | — | — | — | — | — | — | 0.42Ω | — | — |
| 0.750 | — | 0.325Ω | 0.295Ω | — | — | — | — | — | — | 0.140Ω |
| 0.900 | — | 0.255Ω | 0.255Ω | — | 0.095Ω | — | — | — | 0.100Ω | — |
| 1.000 | — | — | — | — | — | — | — | 0.24Ω | — | — |
| 1.100 | — | 0.200Ω | 0.225Ω | — | 0.075Ω | — | — | — | 0.075Ω | — |
| 1.200 | — | — | — | — | — | — | — | — | — | 0.080Ω |
| 1.350 | — | 0.155Ω | 0.165Ω | — | 0.060Ω | — | — | — | 0.060Ω | — |
| 1.550 | — | — | — | — | — | — | — | — | — | 0.058Ω |
| 1.600 | — | 0.115Ω | 0.150Ω | — | 0.050Ω | — | — | — | 0.050Ω | — |
| 1.850 | — | 0.100Ω | 0.106Ω | — | 0.045Ω | — | — | — | 0.045Ω | — |
| 1.900 | — | — | — | — | — | — | — | — | — | — |

Table R1 Product Series - Current Rating, Voltage Rating / Typical Resistance for Radial-leaded Devices Cont'd

| Voltage Rating | BBRF 99V | RXEF 72V | RKEF 60V | RXEF 60V | RUEF 30V | RGEF 16V | RHEF 16V | RHEF 30V | RUSBF 16V | RUSBF 6V |
|-------------------------|-------------|-------------|-------------|-------------|-------------|-------------|-------------|-------------|--------------|-------------|
| Hold Current (A) | | | | | | | | | | |
| 2.000 | — | — | — | — | — | — | 0.0610Ω | — | — | — |
| 2.500 | — | 0.065Ω | 0.063Ω | — | 0.030Ω | 0.0380Ω | — | — | 0.030Ω | — |
| 3.000 | — | 0.050Ω | 0.040Ω | — | 0.035Ω | 0.0514Ω | 0.0430Ω | — | — | — |
| 3.750 | — | 0.040Ω | 0.029Ω | — | — | — | — | — | — | — |
| 4.000 | — | — | 0.026Ω | — | 0.020Ω | 0.0300Ω | 0.0320Ω | — | — | — |
| 4.500 | — | — | — | — | — | — | 0.0290Ω | — | — | — |
| 5.000 | — | — | 0.021Ω | — | 0.020Ω | 0.0192Ω | — | — | — | — |
| 5.500 | — | — | — | — | — | — | 0.0200Ω | — | — | — |
| 6.000 | — | — | — | — | 0.013Ω | 0.0145Ω | 0.0175Ω | — | — | — |
| 6.500 | — | — | — | — | — | — | 0.0144Ω | — | — | — |
| 7.000 | — | — | — | — | 0.013Ω | 0.0105Ω | 0.0132Ω | — | — | — |
| 7.500 | — | — | — | — | — | — | 0.0120Ω | — | — | — |
| 8.000 | — | — | — | — | 0.013Ω | 0.0086Ω | 0.0110Ω | — | — | — |
| 9.000 | — | — | — | — | 0.008Ω | 0.0070Ω | 0.0100Ω | — | — | — |
| 10.00 | — | — | — | — | — | 0.0056Ω | 0.0083Ω | — | — | — |
| 11.00 | — | — | — | — | — | 0.0050Ω | 0.0073Ω | — | — | — |
| 12.00 | — | — | — | — | — | 0.0046Ω | — | — | — | — |
| 13.00 | — | — | — | — | — | — | 0.0055Ω | — | — | — |
| 14.00 | — | — | — | — | — | 0.0040Ω | 0.0050Ω | — | — | — |
| 15.00 | — | — | — | — | — | — | 0.0050Ω | — | — | — |

Table R2 Thermal Derating for Radial-leaded Devices [Hold Current (A) at Ambient Temperature (°C)]

| Part Number | Maximum Ambient Temperature | | | | | | | | | | |
|---------------------|-----------------------------|-------|------|------|-------|------|-------|-------|-------|------|-------|
| | -40°C | -20°C | 0°C | 20°C | 25°C | 40°C | 50°C | 60°C | 70°C | 85°C | 125°C |
| BBRF 99V | | | | | | | | | | | |
| BBRF550 | 0.85 | 0.75 | 0.65 | 0.55 | — | 0.45 | 0.40 | 0.35 | 0.30 | 0.22 | — |
| RXEF 60V | | | | | | | | | | | |
| RXEF005 | 0.078 | 0.068 | 0.06 | 0.05 | 0.048 | 0.04 | 0.035 | 0.032 | 0.027 | 0.02 | — |
| RXEF010 | 0.160 | 0.140 | 0.11 | 0.10 | 0.096 | 0.08 | 0.072 | 0.067 | 0.050 | 0.04 | — |
| RXEF017 | 0.260 | 0.230 | 0.21 | 0.17 | 0.160 | 0.14 | 0.120 | 0.110 | 0.090 | 0.07 | — |
| RXEF 72V | | | | | | | | | | | |
| RXEF020 | 0.31 | 0.27 | 0.24 | 0.20 | 0.19 | 0.16 | 0.14 | 0.13 | 0.11 | 0.08 | — |
| RXEF025 | 0.39 | 0.34 | 0.30 | 0.25 | 0.24 | 0.20 | 0.18 | 0.16 | 0.14 | 0.10 | — |
| RXEF030 | 0.47 | 0.41 | 0.36 | 0.30 | 0.29 | 0.24 | 0.22 | 0.20 | 0.16 | 0.12 | — |
| RXEF040 | 0.62 | 0.54 | 0.48 | 0.40 | 0.38 | 0.32 | 0.29 | 0.25 | 0.22 | 0.16 | — |
| RXEF050 | 0.78 | 0.68 | 0.60 | 0.50 | 0.48 | 0.41 | 0.36 | 0.32 | 0.27 | 0.20 | — |
| RXEF065 | 1.01 | 0.88 | 0.77 | 0.65 | 0.62 | 0.53 | 0.47 | 0.41 | 0.35 | 0.26 | — |
| RXEF075 | 1.16 | 1.02 | 0.89 | 0.75 | 0.72 | 0.61 | 0.54 | 0.47 | 0.41 | 0.30 | — |
| RXEF090 | 1.40 | 1.22 | 1.07 | 0.90 | 0.86 | 0.73 | 0.65 | 0.57 | 0.49 | 0.36 | — |
| RXEF110 | 1.71 | 1.50 | 1.31 | 1.10 | 1.06 | 0.89 | 0.79 | 0.69 | 0.59 | 0.44 | — |
| RXEF135 | 2.09 | 1.84 | 1.61 | 1.35 | 1.30 | 1.09 | 0.97 | 0.85 | 0.73 | 0.54 | — |
| RXEF160 | 2.48 | 2.18 | 1.90 | 1.60 | 1.54 | 1.30 | 1.15 | 1.01 | 0.86 | 0.64 | — |
| RXEF185 | 2.87 | 2.52 | 2.20 | 1.85 | 1.78 | 1.50 | 1.33 | 1.17 | 1.00 | 0.74 | — |
| RXEF250 | 3.88 | 3.40 | 2.98 | 2.50 | 2.40 | 2.03 | 1.80 | 1.58 | 1.35 | 1.00 | — |
| RXEF300 | 4.65 | 4.08 | 3.57 | 3.00 | 2.88 | 2.43 | 2.16 | 1.89 | 1.62 | 1.20 | — |
| RXEF375 | 5.81 | 5.10 | 4.46 | 3.75 | 3.60 | 3.04 | 2.70 | 2.36 | 2.03 | 1.50 | — |

**Table R2 Thermal Derating for Radial-leaded Devices
[Hold Current (A) at Ambient Temperature (°C)]**

Cont'd

| Part Number | Maximum Ambient Temperature | | | | | | | | | | |
|--|-----------------------------|-------|-------|------|-------|------|------|------|------|------|-------|
| | -40°C | -20°C | 0°C | 20°C | 25°C | 40°C | 50°C | 60°C | 70°C | 85°C | 125°C |
| RKEF 60V | | | | | | | | | | | |
| RKEF050 | 0.73 | 0.65 | 0.58 | 0.50 | 0.48 | 0.42 | 0.38 | 0.34 | 0.31 | 0.26 | — |
| RKEF065 | 0.94 | 0.85 | 0.75 | 0.65 | 0.63 | 0.54 | 0.50 | 0.44 | 0.40 | 0.34 | — |
| RKEF075 | 1.09 | 0.98 | 0.86 | 0.75 | 0.73 | 0.62 | 0.58 | 0.51 | 0.46 | 0.39 | — |
| RKEF090 | 1.30 | 1.17 | 1.04 | 0.90 | 0.87 | 0.75 | 0.69 | 0.61 | 0.55 | 0.47 | — |
| RKEF110 | 1.60 | 1.43 | 1.27 | 1.10 | 1.06 | 0.92 | 0.85 | 0.75 | 0.67 | 0.57 | — |
| RKEF135 | 1.96 | 1.76 | 1.55 | 1.35 | 1.31 | 1.12 | 1.04 | 0.92 | 0.83 | 0.71 | — |
| RKEF160 | 2.32 | 2.08 | 1.84 | 1.60 | 1.55 | 1.33 | 1.23 | 1.08 | 0.98 | 0.83 | — |
| RKEF185 | 2.68 | 2.41 | 2.13 | 1.85 | 1.79 | 1.54 | 1.43 | 1.26 | 1.13 | 0.96 | — |
| RKEF250 | 3.63 | 3.25 | 2.88 | 2.50 | 2.43 | 2.08 | 1.93 | 1.70 | 1.52 | 1.31 | — |
| RKEF300 | 4.35 | 3.90 | 3.45 | 3.00 | 2.91 | 2.50 | 2.30 | 2.04 | 1.84 | 1.55 | — |
| RKEF375 | 5.44 | 4.88 | 4.31 | 3.75 | 3.64 | 3.11 | 2.90 | 2.54 | 2.29 | 1.94 | — |
| RKEF400 | 5.80 | 5.20 | 4.60 | 4.00 | 3.88 | 3.32 | 3.08 | 2.73 | 2.45 | 2.08 | — |
| RKEF500 | 7.25 | 6.50 | 5.75 | 5.00 | 4.85 | 4.15 | 3.85 | 3.41 | 3.06 | 2.59 | — |
| RUEF 30V | | | | | | | | | | | |
| RUEF090 | 1.31 | 1.17 | 1.04 | 0.90 | 0.87 | 0.75 | 0.69 | 0.61 | 0.55 | 0.47 | — |
| RUEF110 | 1.60 | 1.43 | 1.27 | 1.10 | 1.07 | 0.91 | 0.85 | 0.75 | 0.67 | 0.57 | — |
| RUEF135 | 1.96 | 1.76 | 1.55 | 1.35 | 1.31 | 1.12 | 1.04 | 0.92 | 0.82 | 0.70 | — |
| RUEF160 | 2.32 | 2.08 | 1.84 | 1.60 | 1.55 | 1.33 | 1.23 | 1.09 | 0.98 | 0.83 | — |
| RUEF185 | 2.68 | 2.41 | 2.13 | 1.85 | 1.79 | 1.54 | 1.42 | 1.26 | 1.13 | 0.96 | — |
| RUEF250 | 3.63 | 3.25 | 2.88 | 2.50 | 2.43 | 2.08 | 1.93 | 1.70 | 1.53 | 1.30 | — |
| RUEF300 | 4.35 | 3.90 | 3.45 | 3.00 | 2.91 | 2.49 | 2.31 | 2.04 | 1.83 | 1.56 | — |
| RUEF400 | 5.80 | 5.20 | 4.60 | 4.00 | 3.88 | 3.32 | 3.08 | 2.72 | 2.44 | 2.08 | — |
| RUEF500 | 7.25 | 6.50 | 5.75 | 5.00 | 4.85 | 4.15 | 3.85 | 3.40 | 3.05 | 2.60 | — |
| RUEF600 | 8.70 | 7.80 | 6.90 | 6.00 | 5.82 | 4.98 | 4.62 | 4.08 | 3.66 | 3.12 | — |
| RUEF700 | 10.15 | 9.10 | 8.05 | 7.00 | 6.79 | 5.81 | 5.39 | 4.76 | 4.27 | 3.64 | — |
| RUEF800 | 11.60 | 10.40 | 9.20 | 8.00 | 7.76 | 6.64 | 6.16 | 5.44 | 4.88 | 4.16 | — |
| RUEF900 | 13.05 | 11.70 | 10.35 | 9.00 | 8.73 | 7.47 | 6.93 | 6.12 | 5.49 | 4.68 | — |
| RHEF 30V - High Temperature | | | | | | | | | | | |
| RHEF050 | 0.68 | 0.62 | 0.56 | 0.51 | 0.50 | 0.44 | 0.40 | 0.36 | 0.34 | 0.28 | 0.12 |
| RHEF070 | 0.95 | 0.87 | 0.79 | 0.72 | 0.70 | 0.62 | 0.56 | 0.51 | 0.47 | 0.39 | 0.17 |
| RHEF100 | 1.36 | 1.24 | 1.13 | 1.03 | 1.00 | 0.89 | 0.80 | 0.73 | 0.67 | 0.56 | 0.24 |
| RUSBF 16V | | | | | | | | | | | |
| RUSBF090 | 1.31 | 1.17 | 1.04 | 0.90 | 0.87 | 0.75 | 0.69 | 0.61 | 0.55 | 0.47 | — |
| RUSBF110 | 1.60 | 1.43 | 1.27 | 1.10 | 1.07 | 1.00 | 0.92 | 0.75 | 0.67 | 0.57 | — |
| RUSBF135 | 1.96 | 1.76 | 1.55 | 1.35 | 1.31 | 1.12 | 1.04 | 0.92 | 0.82 | 0.70 | — |
| RUSBF160 | 2.32 | 2.08 | 1.84 | 1.60 | 1.55 | 1.33 | 1.23 | 1.09 | 0.98 | 0.83 | — |
| RUSBF185 | 2.68 | 2.41 | 2.13 | 1.85 | 1.79 | 1.54 | 1.42 | 1.26 | 1.13 | 0.96 | — |
| RUSBF250 | 3.63 | 3.25 | 2.88 | 2.50 | 2.43 | 2.08 | 1.93 | 1.70 | 1.53 | 1.30 | — |
| RGEF 16V | | | | | | | | | | | |
| RGEF250 | 3.7 | 3.3 | 3.0 | 2.6 | 2.50 | 2.2 | 2.0 | 1.8 | 1.6 | 1.2 | — |
| RGEF300 | 4.4 | 4.0 | 3.6 | 3.1 | 3.00 | 2.6 | 2.4 | 2.1 | 1.9 | 1.4 | — |
| RGEF400 | 5.9 | 5.3 | 4.8 | 4.1 | 4.00 | 3.5 | 3.2 | 2.8 | 2.5 | 1.9 | — |
| RGEF500 | 7.3 | 6.6 | 6.0 | 5.2 | 5.00 | 4.4 | 4.0 | 3.6 | 3.1 | 2.4 | — |
| RGEF600 | 8.8 | 8.0 | 7.2 | 6.2 | 6.00 | 5.2 | 4.8 | 4.2 | 3.8 | 2.8 | — |
| RGEF700 | 10.3 | 9.3 | 8.4 | 7.3 | 7.00 | 6.2 | 5.6 | 5.0 | 4.4 | 3.3 | — |
| RGEF800 | 11.7 | 10.7 | 9.6 | 8.3 | 8.00 | 6.9 | 6.4 | 5.6 | 5.1 | 3.7 | — |
| RGEF900 | 13.2 | 11.9 | 10.7 | 9.4 | 9.00 | 7.9 | 7.2 | 6.4 | 5.6 | 4.2 | — |
| RGEF1000 | 14.7 | 13.3 | 12.0 | 10.3 | 10.00 | 8.7 | 8.0 | 7.0 | 6.3 | 4.7 | — |
| RGEF1100 | 16.1 | 14.6 | 13.1 | 11.5 | 11.00 | 9.7 | 8.8 | 7.8 | 6.9 | 5.2 | — |
| RGEF1200 | 17.6 | 16.0 | 14.4 | 12.4 | 12.00 | 10.4 | 9.6 | 8.4 | 7.6 | 5.6 | — |
| RGEF1400 | 20.5 | 18.7 | 16.8 | 14.5 | 14.00 | 12.1 | 11.2 | 9.8 | 8.9 | 6.5 | — |

Table R2 Thermal Derating for Radial-leaded Devices [Hold Current (A) at Ambient Temperature (°C)] Cont'd

| Part Number | Maximum Ambient Temperature | | | | | | | | | | |
|-------------------------------|-----------------------------|-------|-------|-------|-------|-------|-------|-------|------|------|-------|
| | -40°C | -20°C | 0°C | 20°C | 25°C | 40°C | 50°C | 60°C | 70°C | 85°C | 125°C |
| RHEF | | | | | | | | | | | |
| 16V - High Temperature | | | | | | | | | | | |
| RHEF200 | 2.71 | 2.49 | 2.26 | 2.06 | 2.00 | 1.77 | 1.60 | 1.46 | 1.34 | 1.11 | 0.49 |
| RHEF300 | 4.07 | 3.74 | 3.41 | 3.09 | 3.00 | 2.65 | 2.40 | 2.21 | 2.00 | 1.66 | 0.74 |
| RHEF400 | 5.57 | 5.11 | 4.65 | 4.22 | 4.00 | 3.62 | 3.29 | 3.01 | 2.73 | 2.27 | 1.01 |
| RHEF450 | 6.10 | 5.60 | 5.10 | 4.60 | 4.50 | 4.00 | 3.60 | 3.30 | 3.00 | 2.50 | 1.10 |
| RHEF550 | 7.47 | 6.86 | 6.24 | 5.66 | 5.50 | 4.85 | 4.41 | 4.04 | 3.66 | 3.05 | 1.36 |
| RHEF600 | 8.20 | 7.50 | 6.80 | 6.20 | 6.00 | 5.30 | 4.90 | 4.40 | 4.00 | 3.30 | 1.50 |
| RHEF650 | 8.80 | 8.10 | 7.40 | 6.70 | 6.50 | 5.70 | 5.30 | 4.80 | 4.30 | 3.60 | 1.60 |
| RHEF700 | 9.51 | 8.73 | 7.95 | 7.20 | 7.00 | 6.17 | 5.61 | 5.15 | 4.66 | 3.88 | 1.73 |
| RHEF750 | 10.20 | 9.40 | 8.60 | 7.70 | 7.50 | 6.60 | 6.10 | 5.60 | 5.00 | 4.10 | 1.90 |
| RHEF800 | 10.87 | 9.98 | 9.08 | 8.23 | 8.00 | 7.06 | 6.41 | 5.88 | 5.33 | 4.43 | 1.97 |
| RHEF900 | 12.21 | 11.19 | 10.16 | 9.26 | 9.00 | 7.97 | 7.20 | 6.56 | 6.04 | 5.01 | 2.19 |
| RHEF1000 | 13.60 | 12.50 | 11.40 | 10.30 | 10.00 | 8.80 | 8.10 | 7.40 | 6.60 | 5.50 | 2.50 |
| RHEF1100 | 14.94 | 13.72 | 12.49 | 11.31 | 11.00 | 9.70 | 8.82 | 8.09 | 7.32 | 6.09 | 2.71 |
| RHEF1300 | 17.70 | 16.30 | 14.80 | 13.40 | 13.00 | 11.40 | 10.50 | 9.60 | 8.60 | 7.20 | 3.30 |
| RHEF1400 | 19.01 | 17.46 | 15.89 | 14.40 | 14.00 | 12.35 | 11.22 | 10.29 | 9.32 | 7.76 | 3.45 |
| RHEF1500 | 20.40 | 18.80 | 17.10 | 15.50 | 15.00 | 13.20 | 12.10 | 11.10 | 9.90 | 8.30 | 3.80 |
| RUSBF | | | | | | | | | | | |
| 6V | | | | | | | | | | | |
| RUSBF075 | 1.05 | 0.95 | 0.85 | 0.75 | 0.73 | 0.65 | 0.60 | 0.55 | 0.50 | 0.43 | — |
| RUSBF120 | 1.69 | 1.52 | 1.36 | 1.20 | 1.16 | 1.04 | 0.96 | 0.88 | 0.80 | 0.68 | — |
| RUSBF155 | 2.17 | 1.96 | 1.75 | 1.55 | 1.50 | 1.34 | 1.24 | 1.14 | 1.03 | 0.88 | — |

Figure R1-R5 Thermal Derating Curve for Radial-leaded Devices

RXEF and BBRF



RKEF

Figure R2



A = RUSBF075,
RUSBF120,
RUSBF155

B = RUEF,
and all other RUSBF

Figure R3



RHEF

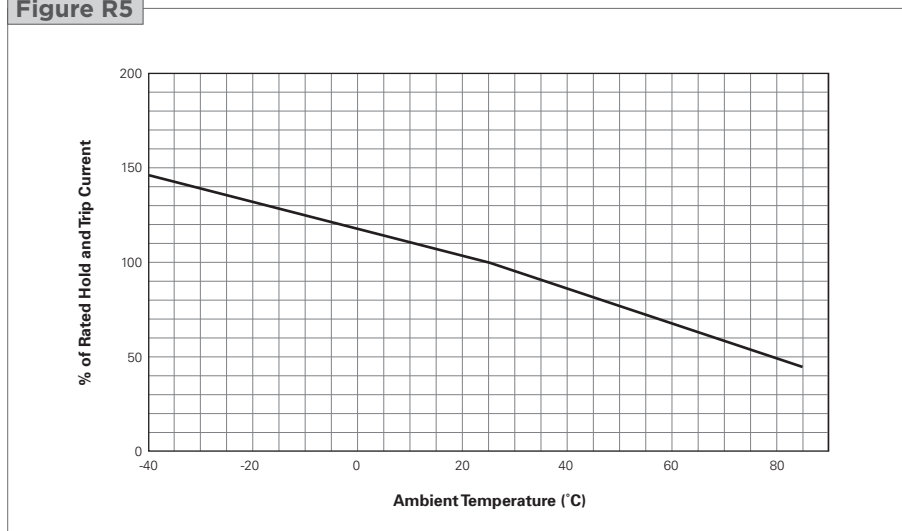
Figure R4



Figure R1-R5 Thermal Derating Curve for Radial-leaded Devices

Cont'd

RGEF

Figure R5

Table R3 Electrical Characteristics for Radial-leaded Devices

| Part Number | I _H (A) | I _T (A) | V _{MAX} (V) | I _{MAX} (A) | P _{D,Typ} (W) | Max. Time-to-trip | | R _{MIN} (Ω) | R _{MAX} (Ω) | R _{1MAX} (Ω) | Lead Size [mm ² (AWG)] |
|-----------------|--------------------|--------------------|----------------------|----------------------|------------------------|-------------------|------|----------------------|----------------------|-----------------------|-----------------------------------|
| | | | | | | (A) | (s) | | | | |
| BBRF 99V | | | | | | | | | | | |
| BBRF550 | 0.55 | 1.10 | 99 | 20 | 1.5 | 1.60 | 60 | 0.8 | 1.30 | 1.95 | [0.520mm ² (20)] |
| RXEF 60V | | | | | | | | | | | |
| RXEF005 | 0.05 | 0.10 | 60 | 40 | 0.22 | 0.25 | 5.0 | 7.3 | 11.10 | 20.00 | [0.128mm ² (26)] |
| RXEF010 | 0.10 | 0.20 | 60 | 40 | 0.38 | 0.50 | 4.0 | 2.5 | 4.50 | 7.50 | [0.205mm ² (24)] |
| RXEF017 | 0.17 | 0.34 | 60 | 40 | 0.48 | 0.85 | 3.0 | 3.3 | 5.21 | 8.00 | [0.205mm ² (24)] |
| RXEF 72V | | | | | | | | | | | |
| RXEF020 | 0.20 | 0.40 | 72 | 40 | 0.41 | 1.00 | 2.2 | 1.83 | 2.75 | 4.40 | [0.205mm ² (24)] |
| RXEF025 | 0.25 | 0.50 | 72 | 40 | 0.45 | 1.25 | 2.5 | 1.25 | 1.95 | 3.00 | [0.205mm ² (24)] |
| RXEF030 | 0.30 | 0.60 | 72 | 40 | 0.49 | 1.50 | 3.0 | 0.88 | 1.33 | 2.10 | [0.205mm ² (24)] |
| RXEF040 | 0.40 | 0.80 | 72 | 40 | 0.56 | 2.00 | 3.8 | 0.55 | 0.86 | 1.29 | [0.205mm ² (24)] |
| RXEF050 | 0.50 | 1.00 | 72 | 40 | 0.77 | 2.50 | 4.0 | 0.50 | 0.77 | 1.17 | [0.205mm ² (24)] |
| RXEF065 | 0.65 | 1.30 | 72 | 40 | 0.88 | 3.25 | 5.3 | 0.31 | 0.48 | 0.72 | [0.205mm ² (24)] |
| RXEF075 | 0.75 | 1.50 | 72 | 40 | 0.92 | 3.75 | 6.3 | 0.25 | 0.40 | 0.60 | [0.205mm ² (24)] |
| RXEF090 | 0.90 | 1.80 | 72 | 40 | 0.99 | 4.50 | 7.2 | 0.20 | 0.31 | 0.47 | [0.205mm ² (24)] |
| RXEF110 | 1.10 | 2.20 | 72 | 40 | 1.50 | 5.50 | 8.2 | 0.15 | 0.25 | 0.38 | [0.520mm ² (20)] |
| RXEF135 | 1.35 | 2.70 | 72 | 40 | 1.70 | 6.75 | 9.6 | 0.12 | 0.19 | 0.30 | [0.520mm ² (20)] |
| RXEF160 | 1.60 | 3.20 | 72 | 40 | 1.90 | 8.00 | 11.4 | 0.09 | 0.14 | 0.22 | [0.520mm ² (20)] |
| RXEF185 | 1.85 | 3.70 | 72 | 40 | 2.10 | 9.25 | 12.6 | 0.08 | 0.12 | 0.19 | [0.520mm ² (20)] |
| RXEF250 | 2.50 | 5.00 | 72 | 40 | 2.50 | 12.50 | 15.6 | 0.05 | 0.08 | 0.13 | [0.520mm ² (20)] |
| RXEF300 | 3.00 | 6.00 | 72 | 40 | 2.80 | 15.00 | 19.8 | 0.04 | 0.06 | 0.10 | [0.520mm ² (20)] |
| RXEF375 | 3.75 | 7.50 | 72 | 40 | 3.20 | 18.75 | 24.0 | 0.03 | 0.05 | 0.08 | [0.520mm ² (20)] |

Table R3 Electrical Characteristics for Radial-leaded Devices

Cont'd

| Part Number | I _H (A) | I _T (A) | V _{MAX} (V) | I _{MAX} (A) | P _{D Typ} (W) | Max. Time-to-trip | | R _{MIN} (Ω) | R _{MAX} (Ω) | R _{1MAX} (Ω) | Lead Size [mm ² (AWG)] |
|-------------------------------------|--------------------|--------------------|----------------------|----------------------|------------------------|-------------------|------|----------------------|----------------------|-----------------------|-----------------------------------|
| | | | | | | (A) | (s) | | | | |
| RKEF 60V | | | | | | | | | | | |
| RKEF050 | 0.50 | 1.00 | 60 | 40 | 1.00 | 8.00 | 0.8 | 0.320 | 0.529 | 0.900 | [0.205mm ² (24)] |
| RKEF065 | 0.65 | 1.30 | 60 | 40 | 1.25 | 8.00 | 1.0 | 0.250 | 0.450 | 0.720 | [0.205mm ² (24)] |
| RKEF075 | 0.75 | 1.50 | 60 | 40 | 1.40 | 8.00 | 1.5 | 0.200 | 0.390 | 0.640 | [0.205mm ² (24)] |
| RKEF090 | 0.90 | 1.80 | 60 | 40 | 1.50 | 8.00 | 2.0 | 0.190 | 0.320 | 0.520 | [0.205mm ² (24)] |
| RKEF110 | 1.10 | 2.20 | 60 | 40 | 2.20 | 8.00 | 3.0 | 0.170 | 0.280 | 0.470 | [0.520mm ² (20)] |
| RKEF135 | 1.35 | 2.70 | 60 | 40 | 2.30 | 8.00 | 4.5 | 0.110 | 0.220 | 0.370 | [0.520mm ² (20)] |
| RKEF160 | 1.60 | 3.20 | 60 | 40 | 2.40 | 8.20 | 9.0 | 0.100 | 0.200 | 0.320 | [0.520mm ² (20)] |
| RKEF185 | 1.85 | 3.70 | 60 | 40 | 2.60 | 9.25 | 12.6 | 0.060 | 0.152 | 0.250 | [0.520mm ² (20)] |
| RKEF250 | 2.50 | 5.00 | 60 | 40 | 2.80 | 12.50 | 15.6 | 0.040 | 0.085 | 0.140 | [0.520mm ² (20)] |
| RKEF300 | 3.00 | 6.00 | 60 | 40 | 3.20 | 15.00 | 19.8 | 0.030 | 0.050 | 0.080 | [0.520mm ² (20)] |
| RKEF375 | 3.75 | 7.50 | 60 | 40 | 3.40 | 18.75 | 22.0 | 0.017 | 0.040 | 0.060 | [0.520mm ² (20)] |
| RKEF400 | 4.00 | 8.00 | 60 | 40 | 3.70 | 20.00 | 24.0 | 0.014 | 0.038 | 0.060 | [0.520mm ² (20)] |
| RKEF500 | 5.00 | 10.00 | 60 | 40 | 5.00 | 25.00 | 28.0 | 0.012 | 0.030 | 0.050 | [0.520mm ² (20)] |
| RUEF 30V | | | | | | | | | | | |
| RUEF090 | 0.90 | 1.80 | 30 | 100 | 0.60 | 4.50 | 5.9 | 0.070 | 0.120 | 0.22 | [0.205mm ² (24)] |
| RUEF110 | 1.10 | 2.20 | 30 | 100 | 0.70 | 5.50 | 6.6 | 0.070 | 0.100 | 0.17 | [0.205mm ² (24)] |
| RUEF135 | 1.35 | 2.70 | 30 | 100 | 0.80 | 6.75 | 7.3 | 0.040 | 0.080 | 0.13 | [0.205mm ² (24)] |
| RUEF160 | 1.60 | 3.20 | 30 | 100 | 0.90 | 8.00 | 8.0 | 0.030 | 0.070 | 0.11 | [0.205mm ² (24)] |
| RUEF185 | 1.85 | 3.70 | 30 | 100 | 1.00 | 9.25 | 8.7 | 0.030 | 0.060 | 0.09 | [0.205mm ² (24)] |
| RUEF250 | 2.50 | 5.00 | 30 | 100 | 1.20 | 12.50 | 10.3 | 0.020 | 0.040 | 0.07 | [0.205mm ² (24)] |
| RUEF300 | 3.00 | 6.00 | 30 | 100 | 2.00 | 15.00 | 10.8 | 0.020 | 0.050 | 0.08 | [0.520mm ² (20)] |
| RUEF400 | 4.00 | 8.00 | 30 | 100 | 2.50 | 20.00 | 12.7 | 0.010 | 0.030 | 0.05 | [0.520mm ² (20)] |
| RUEF500 | 5.00 | 10.00 | 30 | 100 | 3.00 | 25.00 | 14.5 | 0.010 | 0.030 | 0.05 | [0.520mm ² (20)] |
| RUEF600 | 6.00 | 12.00 | 30 | 100 | 3.50 | 30.00 | 16.0 | 0.005 | 0.020 | 0.04 | [0.520mm ² (20)] |
| RUEF700 | 7.00 | 14.00 | 30 | 100 | 3.80 | 35.00 | 17.5 | 0.005 | 0.020 | 0.03 | [0.520mm ² (20)] |
| RUEF800 | 8.00 | 16.00 | 30 | 100 | 4.00 | 40.00 | 18.8 | 0.005 | 0.013 | 0.02 | [0.520mm ² (20)] |
| RUEF900 | 9.00 | 18.00 | 30 | 100 | 4.20 | 45.00 | 20.0 | 0.005 | 0.010 | 0.02 | [0.520mm ² (20)] |
| RHEF* 30V - High Temperature | | | | | | | | | | | |
| RHEF050 | 0.5 | 0.9 | 30 | 40 | 0.9 | 2.5 | 2.5 | 0.480 | 0.780 | 1.10 | [0.205mm ² (24)] |
| RHEF070 | 0.7 | 1.4 | 30 | 40 | 1.4 | 3.5 | 3.2 | 0.300 | 0.540 | 0.80 | [0.205mm ² (24)] |
| RHEF100 | 1.0 | 1.8 | 30 | 40 | 1.4 | 5.0 | 5.2 | 0.180 | 0.300 | 0.43 | [0.205mm ² (24)] |
| RUSBF 16V | | | | | | | | | | | |
| RUSBF090 | 0.90 | 1.8 | 16 | 40 | 0.6 | 8.0 | 1.2 | 0.070 | 0.120 | 0.180 | [0.205mm ² (24)] |
| RUSBF110 | 1.10 | 2.2 | 16 | 40 | 0.7 | 8.0 | 2.3 | 0.050 | 0.095 | 0.140 | [0.205mm ² (24)] |
| RUSBF135 | 1.35 | 2.7 | 16 | 40 | 0.8 | 8.0 | 4.5 | 0.040 | 0.074 | 0.112 | [0.205mm ² (24)] |
| RUSBF160 | 1.60 | 3.2 | 16 | 40 | 0.9 | 8.0 | 9.0 | 0.030 | 0.061 | 0.110 | [0.205mm ² (24)] |
| RUSBF185 | 1.85 | 3.7 | 16 | 40 | 1.0 | 8.0 | 10.0 | 0.030 | 0.051 | 0.090 | [0.205mm ² (24)] |
| RUSBF250 | 2.50 | 5.0 | 16 | 40 | 1.2 | 8.0 | 40.0 | 0.020 | 0.036 | 0.060 | [0.205mm ² (24)] |
| RGEF* 16V | | | | | | | | | | | |
| RGEF250 | 2.5 | 4.7 | 16 | 100 | 1.0 | 12.5 | 5.0 | 0.0220 | 0.0350 | 0.0530 | [0.205mm ² (24)] |
| RGEF300 | 3.0 | 5.1 | 16 | 100 | 2.3 | 15.0 | 1.0 | 0.0380 | 0.0645 | 0.0975 | [0.520mm ² (20)] |
| RGEF400 | 4.0 | 6.8 | 16 | 100 | 2.4 | 20.0 | 1.7 | 0.0210 | 0.0390 | 0.0600 | [0.520mm ² (20)] |
| RGEF500 | 5.0 | 8.5 | 16 | 100 | 2.6 | 25.0 | 2.0 | 0.0150 | 0.0240 | 0.0340 | [0.520mm ² (20)] |
| RGEF600 | 6.0 | 10.2 | 16 | 100 | 2.8 | 30.0 | 3.3 | 0.0100 | 0.0190 | 0.0280 | [0.520mm ² (20)] |
| RGEF700 | 7.0 | 11.9 | 16 | 100 | 3.0 | 35.0 | 3.5 | 0.0077 | 0.0131 | 0.0200 | [0.520mm ² (20)] |
| RGEF800 | 8.0 | 13.6 | 16 | 100 | 3.0 | 40.0 | 5.0 | 0.0056 | 0.0110 | 0.0175 | [0.520mm ² (20)] |
| RGEF900 | 9.0 | 15.3 | 16 | 100 | 3.3 | 45.0 | 5.5 | 0.0047 | 0.0091 | 0.0135 | [0.520mm ² (20)] |
| RGEF1000 | 10.0 | 17.0 | 16 | 100 | 3.6 | 50.0 | 6.0 | 0.0040 | 0.0070 | 0.0102 | [0.520mm ² (20)] |
| RGEF1100 | 11.0 | 18.7 | 16 | 100 | 3.7 | 55.0 | 7.0 | 0.0037 | 0.0060 | 0.0089 | [0.520mm ² (20)] |
| RGEF1200 | 12.0 | 20.4 | 16 | 100 | 4.2 | 60.0 | 7.5 | 0.0033 | 0.0057 | 0.0086 | [0.823mm ² (18)] |
| RGEF1400 | 14.0 | 23.8 | 16 | 100 | 4.6 | 70.0 | 9.0 | 0.0026 | 0.0043 | 0.0064 | [0.823mm ² (18)] |

Table R3 Electrical Characteristics for Radial-leaded Devices

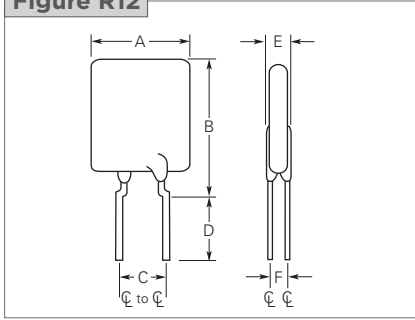
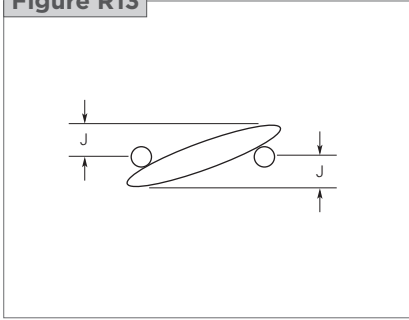
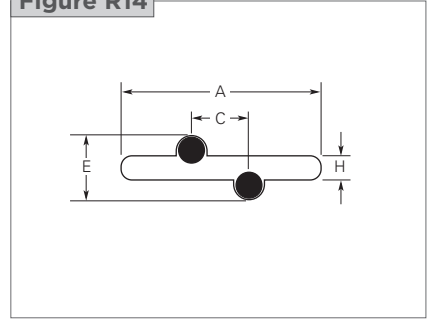
Cont'd

| Part Number | I_H (A) | I_T (A) | V_{MAX} (V) | I_{MAX} (A) | $P_{D\ TYP}$ (W) | Max. Time-to-trip | | R_{MIN} (Ω) | R_{MAX} (Ω) | R_{1MAX} (Ω) | Lead Size [mm ² (AWG)] |
|-------------------------------|-----------|-----------|---------------|---------------|------------------|-------------------|------|------------------------|------------------------|-------------------------|-----------------------------------|
| | | | | | | (A) | (s) | | | | |
| RHEF* | | | | | | | | | | | |
| 16V - High Temperature | | | | | | | | | | | |
| RHEF200 | 2.0 | 3.8 | 16 | 100 | 1.4 | 10.0 | 4.3 | 0.0450 | 0.07400 | 0.1100 | [0.205mm ² (24)] |
| RHEF300 | 3.0 | 6.0 | 16 | 100 | 3.0 | 15.0 | 5.0 | 0.0330 | 0.05300 | 0.0790 | [0.520mm ² (20)] |
| RHEF400 | 4.0 | 7.5 | 16 | 100 | 3.3 | 20.0 | 5.0 | 0.0240 | 0.04000 | 0.0600 | [0.520mm ² (20)] |
| RHEF450 | 4.5 | 7.8 | 16 | 100 | 3.6 | 22.5 | 3.0 | 0.0220 | 0.03600 | 0.0540 | [0.520mm ² (20)] |
| RHEF550 | 5.5 | 10.0 | 16 | 100 | 3.5 | 27.5 | 6.0 | 0.0150 | 0.02500 | 0.0370 | [0.520mm ² (20)] |
| RHEF600 | 6.0 | 10.8 | 16 | 100 | 4.1 | 30.0 | 5.0 | 0.0130 | 0.02150 | 0.0320 | [0.520mm ² (20)] |
| RHEF650 | 6.5 | 12.0 | 16 | 100 | 4.1 | 32.5 | 5.5 | 0.0110 | 0.01750 | 0.0260 | [0.520mm ² (20)] |
| RHEF700 | 7.0 | 13.0 | 16 | 100 | 4.0 | 35.0 | 7.0 | 0.0100 | 0.01640 | 0.0250 | [0.520mm ² (20)] |
| RHEF750 | 7.5 | 13.1 | 16 | 100 | 4.5 | 37.5 | 7.0 | 0.0094 | 0.01530 | 0.0220 | [0.520mm ² (20)] |
| RHEF800 | 8.0 | 15.0 | 16 | 100 | 4.2 | 40.0 | 8.0 | 0.0080 | 0.01350 | 0.0200 | [0.520mm ² (20)] |
| RHEF900 | 9.0 | 16.5 | 16 | 100 | 5.0 | 45.0 | 10.0 | 0.0074 | 0.01200 | 0.0170 | [0.520mm ² (20)] |
| RHEF1000 | 10.0 | 18.5 | 16 | 100 | 5.3 | 50.0 | 9.0 | 0.0062 | 0.01050 | 0.0150 | [0.520mm ² (20)] |
| RHEF1100 | 11.0 | 20.0 | 16 | 100 | 5.5 | 55.0 | 11.0 | 0.0055 | 0.00900 | 0.0130 | [0.520mm ² (20)] |
| RHEF1300 | 13.0 | 24.0 | 16 | 100 | 6.9 | 65.0 | 13.0 | 0.0041 | 0.00690 | 0.0100 | [0.823mm ² (18)] |
| RHEF1400 | 14.0 | 27.0 | 16 | 100 | 6.9 | 70.0 | 13.0 | 0.0030 | 0.00600 | 0.0090 | [0.823mm ² (18)] |
| RHEF1500 | 15.0 | 28.0 | 16 | 100 | 7.0 | 75.0 | 20.0 | 0.0032 | 0.00613 | 0.0092 | [0.823mm ² (18)] |
| RUSBF | | | | | | | | | | | |
| 6V | | | | | | | | | | | |
| RUSBF075 | 0.75 | 1.30 | 6 | 40 | 0.3 | 8.0 | 0.4 | 0.110 | 0.1750 | 0.23 | [0.205mm ² (24)] |
| RUSBF120 | 1.20 | 2.00 | 6 | 40 | 0.6 | 8.0 | 0.5 | 0.070 | 0.0975 | 0.14 | [0.205mm ² (24)] |
| RUSBF155 | 1.55 | 2.65 | 6 | 40 | 0.6 | 7.8 | 2.2 | 0.040 | 0.0705 | 0.10 | [0.205mm ² (24)] |

Notes:

- I_H : Hold current: maximum current device will pass without interruption in 20°C still air.
 - I_T : Trip current: minimum current that will switch the device from low resistance to high resistance in 20°C still air.
 - V_{MAX} : Maximum continuous voltage device can withstand without damage at rated current.
 - I_{MAX} : Maximum fault current device can withstand without damage at rated voltage.
 - P_D : Power dissipated from device when in the tripped state in 20°C still air.
 - R_{MIN} : Minimum resistance of device as supplied at 20°C unless otherwise specified.
 - R_{MAX} : Maximum resistance of device as supplied at 20°C unless otherwise specified.
 - R_{1MAX} : Maximum resistance of device when measured one hour post reflow (surface-mount device) or one hour post trip (radial-leaded device) at 20°C unless otherwise specified.
- * Electrical characteristics determined at 25°C.

Figure R6-R14 Dimension Figures for Radial-leaded Devices


Figure R12

Figure R13

Figure R14

Table R4 Dimensions & Weights for Radial-leaded Devices

| Part Number | Dimensions in Millimeters (Inches) | | | | | | | | | | | | Figure | Device Mass (g) (Only for reference) | |
|-------------|------------------------------------|----------------|------|----------------|---------------|----------------|---------------|------|------|---------------|------|-----------------|---------------|---|-------|
| | A | | B | | C | | D | | E | | F | H | | | J |
| | Min. | Max. | Min. | Max. | Min. | Max. | Min. | Max. | Min. | Max. | Typ. | Typ. | | | Typ. |
| BBRF | | | | | | | | | | | | | | | |
| 99V | | | | | | | | | | | | | | | |
| BBRF550 | — | 10.9 (0.43) | — | 14.0 (0.55) | 4.3 (0.17) | 5.8 (0.23) | 7.6 (0.3) | — | — | 3.6 (0.14) | — | 1.37 (0.054) | 1.2 (0.05) | R6, R13, R14 | 0.534 |
| RXEF | | | | | | | | | | | | | | | |
| 60V | | | | | | | | | | | | | | | |
| RXEF005 | — | 8.0 (0.32) | — | 8.3 (0.33) | 4.3 (0.17) | 5.8 (0.23) | 7.6 (0.30) | — | — | 3.0 (0.12) | — | 1.07 (0.042) | 1.0 (0.04) | R7, R13, R14 | 0.069 |
| RXEF010 | — | 7.4 (0.29) | — | 11.6 (0.46) | 4.3 (0.17) | 5.8 (0.23) | 7.6 (0.30) | — | — | 3.0 (0.12) | — | 1.07 (0.042) | 1.0 (0.04) | R7, R13, R14 | 0.128 |
| RXEF017 | — | 7.4 (0.29) | — | 12.7 (0.50) | 4.3 (0.17) | 5.8 (0.23) | 7.6 (0.30) | — | — | 3.0 (0.12) | — | 1.68 (0.066) | 1.7 (0.07) | R7, R13, R14 | 0.174 |
| RXEF | | | | | | | | | | | | | | | |
| 72V | | | | | | | | | | | | | | | |
| RXEF020 | — | 7.4 (0.29) | — | 11.7 (0.46) | 4.3 (0.17) | 5.8 (0.23) | 7.6 (0.30) | — | — | 3.0 (0.12) | — | 1.17 (0.046) | 1.0 (0.04) | R8, R13, R14 | 0.119 |
| RXEF025 | — | 7.4 (0.29) | — | 12.7 (0.50) | 4.3 (0.17) | 5.8 (0.23) | 7.6 (0.30) | — | — | 3.0 (0.12) | — | 1.17 (0.046) | 1.0 (0.04) | R8, R13, R14 | 0.130 |
| RXEF030 | — | 7.4 (0.29) | — | 12.7 (0.50) | 4.3 (0.17) | 5.8 (0.23) | 7.6 (0.30) | — | — | 3.0 (0.12) | — | 1.17 (0.046) | 1.0 (0.04) | R8, R13, R14 | 0.143 |
| RXEF040 | — | 7.6 (0.30) | — | 13.5 (0.53) | 4.3 (0.17) | 5.8 (0.23) | 7.6 (0.30) | — | — | 3.0 (0.12) | — | 1.17 (0.046) | 1.2 (0.05) | R8, R13, R14 | 0.202 |
| RXEF050 | — | 7.9 (0.31) | — | 13.7 (0.54) | 4.3 (0.17) | 5.8 (0.23) | 7.6 (0.30) | — | — | 3.0 (0.12) | — | 1.17 (0.046) | 1.2 (0.05) | R8, R13, R14 | 0.210 |
| RXEF065 | — | 9.4 (0.37) | — | 14.5 (0.57) | 4.3 (0.17) | 5.8 (0.23) | 7.6 (0.30) | — | — | 3.0 (0.12) | — | 1.17 (0.046) | 1.5 (0.06) | R8, R13, R14 | 0.277 |
| RXEF075 | — | 10.2 (0.40) | — | 15.2 (0.60) | 4.3 (0.17) | 5.8 (0.23) | 7.6 (0.30) | — | — | 3.0 (0.12) | — | 1.17 (0.046) | 1.5 (0.06) | R8, R13, R14 | 0.310 |
| RXEF090 | — | 11.2 (0.44) | — | 15.8 (0.62) | 4.3 (0.17) | 5.8 (0.23) | 7.6 (0.30) | — | — | 3.0 (0.12) | — | 1.17 (0.046) | 1.5 (0.06) | R8, R13, R14 | 0.365 |
| RXEF110 | — | 12.8 (0.50) | — | 17.5 (0.69) | 4.3 (0.17) | 5.8 (0.23) | 7.6 (0.30) | — | — | 3.0 (0.12) | — | 1.37 (0.054) | 1.2 (0.05) | R9, R13, R14 | 0.546 |
| RXEF135 | — | 14.5 (0.57) | — | 19.1 (0.75) | 4.3 (0.17) | 5.8 (0.23) | 7.6 (0.30) | — | — | 3.0 (0.12) | — | 1.37 (0.054) | 1.2 (0.05) | R9, R13, R14 | 0.653 |
| RXEF160 | — | 16.3 (0.64) | — | 20.8 (0.82) | 4.3 (0.17) | 5.8 (0.23) | 7.6 (0.30) | — | — | 3.0 (0.12) | — | 1.37 (0.054) | 1.5 (0.06) | R9, R13, R14 | 0.684 |
| RXEF185 | — | 17.5 (0.69) | — | 22.4 (0.88) | 4.3 (0.17) | 5.8 (0.23) | 7.6 (0.30) | — | — | 3.0 (0.12) | — | 1.37 (0.054) | 1.5 (0.06) | R9, R13, R14 | 0.808 |
| RXEF250 | — | 20.8 (0.82) | — | 25.4 (1.00) | 9.4 (0.37) | 10.9 (0.43) | 7.6 (0.30) | — | — | 3.0 (0.12) | — | 1.37 (0.054) | 1.7 (0.07) | R9, R13, R14 | 1.139 |
| RXEF300 | — | 23.9 (0.94) | — | 28.6 (1.13) | 9.4 (0.37) | 10.9 (0.43) | 7.6 (0.30) | — | — | 3.0 (0.12) | — | 1.37 (0.054) | 1.7 (0.07) | R9, R13, R14 | 1.379 |
| RXEF375 | — | 27.2 (1.07) | — | 31.8 (1.25) | 9.4 (0.37) | 10.9 (0.43) | 7.6 (0.30) | — | — | 3.0 (0.12) | — | 1.37 (0.054) | 1.7 (0.07) | R9, R13, R14 | 1.708 |

Table R4 Dimensions & Weights for Radial-leaded Devices

Cont'd

| Part Number | Dimensions in Millimeters (Inches) | | | | | | | | | | | | Figure | Device Mass (g) (Only for reference) | |
|-------------------------------|------------------------------------|-----------------|------|-----------------|----------------|-----------------|----------------|------|------|----------------|---------------|-----------------|---------------|---|-------|
| | A | | B | | C | | D | | E | | F | H | | | J |
| | Min. | Max. | Min. | Max. | Min. | Max. | Min. | Max. | Min. | Max. | Typ. | Typ. | | | Typ. |
| RKEF | | | | | | | | | | | | | | | |
| 60V | | | | | | | | | | | | | | | |
| RKEF050 | — | 7.10 (0.28) | — | 11.43 (0.45) | 4.32 (0.17) | 5.84 (0.23) | 7.60 (0.30) | — | — | 3.56 (0.14) | — | — | — | R10, R13, R14 | 0.166 |
| RKEF065 | — | 7.11 (0.28) | — | 12.20 (0.48) | 4.32 (0.17) | 5.84 (0.23) | 7.60 (0.30) | — | — | 3.56 (0.14) | — | — | — | R10, R13, R14 | 0.182 |
| RKEF075 | — | 7.87 (0.31) | — | 12.20 (0.48) | 4.32 (0.17) | 5.84 (0.23) | 7.60 (0.30) | — | — | 3.56 (0.14) | — | — | — | R10, R13, R14 | 0.201 |
| RKEF090 | — | 7.87 (0.31) | — | 13.97 (0.55) | 4.32 (0.17) | 5.84 (0.23) | 7.60 (0.30) | — | — | 3.56 (0.14) | — | — | — | R10, R13, R14 | 0.235 |
| RKEF110 | — | 7.60 (0.30) | — | 15.00 (0.59) | 4.32 (0.17) | 5.84 (0.23) | 7.60 (0.30) | — | — | 4.10 (0.16) | — | — | — | R10, R13, R14 | 0.353 |
| RKEF135 | — | 10.20 (0.40) | — | 17.00 (0.67) | 4.32 (0.17) | 5.84 (0.23) | 7.60 (0.30) | — | — | 3.81 (0.15) | — | — | — | R11, R13, R14 | 0.438 |
| RKEF160 | — | 12.20 (0.48) | — | 18.30 (0.72) | 4.32 (0.17) | 5.84 (0.23) | 7.60 (0.30) | — | — | 3.81 (0.15) | — | — | — | R11, R13, R14 | 0.546 |
| RKEF185 | — | 13.00 (0.51) | — | 18.80 (0.74) | 4.32 (0.17) | 5.84 (0.23) | 7.60 (0.30) | — | — | 3.81 (0.15) | — | — | — | R11, R13, R14 | 0.538 |
| RKEF250 | — | 14.00 (0.55) | — | 20.60 (0.81) | 4.32 (0.17) | 5.84 (0.23) | 7.60 (0.30) | — | — | 3.00 (0.12) | — | — | — | R11, R13, R14 | 0.775 |
| RKEF300 | — | 16.50 (0.65) | — | 21.20 (0.83) | 4.32 (0.17) | 5.84 (0.23) | 7.60 (0.30) | — | — | 3.00 (0.12) | — | — | — | R11, R13, R14 | 0.971 |
| RKEF375 | — | 16.50 (0.65) | — | 25.20 (0.99) | 9.40 (0.37) | 10.90 (0.43) | 7.60 (0.30) | — | — | 3.00 (0.12) | — | — | — | R11, R13, R14 | 1.142 |
| RKEF400 | — | 21.00 (0.83) | — | 24.90 (0.98) | 9.40 (0.37) | 10.90 (0.43) | 7.60 (0.30) | — | — | 3.00 (0.12) | — | — | — | R11, R13, R14 | 1.391 |
| RKEF500 | — | 24.10 (0.95) | — | 29.00 (1.14) | 9.40 (0.37) | 10.90 (0.43) | 7.60 (0.30) | — | — | 3.00 (0.12) | — | — | — | R11, R13, R14 | 1.783 |
| RUEF | | | | | | | | | | | | | | | |
| 30V | | | | | | | | | | | | | | | |
| RUEF090 | — | 7.4 (0.29) | — | 12.2 (0.48) | 4.3 (0.17) | 5.8 (0.23) | 7.6 (0.30) | — | — | 3.0 (0.12) | — | 0.89 (0.035) | 0.8 (0.03) | R10, R13, R14 | 0.183 |
| RUEF110 | — | 7.4 (0.29) | — | 14.2 (0.56) | 4.3 (0.17) | 5.8 (0.23) | 7.6 (0.30) | — | — | 3.0 (0.12) | — | 0.89 (0.035) | 0.8 (0.03) | R10, R13, R14 | 0.204 |
| RUEF135 | — | 8.9 (0.35) | — | 13.5 (0.53) | 4.3 (0.17) | 5.8 (0.23) | 7.6 (0.30) | — | — | 3.0 (0.12) | — | 0.89 (0.035) | 1.0 (0.04) | R10, R13, R14 | 0.255 |
| RUEF160 | — | 8.9 (0.35) | — | 15.2 (0.60) | 4.3 (0.17) | 5.8 (0.23) | 7.6 (0.30) | — | — | 3.0 (0.12) | — | 0.89 (0.035) | 1.0 (0.04) | R10, R13, R14 | 0.289 |
| RUEF185 | — | 10.2 (0.40) | — | 15.7 (0.62) | 4.3 (0.17) | 5.8 (0.23) | 7.6 (0.30) | — | — | 3.0 (0.12) | — | 0.89 (0.035) | 1.0 (0.04) | R10, R13, R14 | 0.379 |
| RUEF250 | — | 11.4 (0.45) | — | 18.3 (0.72) | 4.3 (0.17) | 5.8 (0.23) | 7.6 (0.30) | — | — | 3.0 (0.12) | — | 0.89 (0.035) | 1.2 (0.05) | R10, R13, R14 | 0.493 |
| RUEF300 | — | 11.4 (0.45) | — | 16.5 (0.65) | 4.3 (0.17) | 5.8 (0.23) | 7.6 (0.30) | — | — | 3.0 (0.12) | — | 1.19 (0.047) | 1.5 (0.06) | R11, R13, R14 | 0.516 |
| RUEF400 | — | 14.0 (0.55) | — | 19.3 (0.76) | 4.3 (0.17) | 5.8 (0.23) | 7.6 (0.30) | — | — | 3.0 (0.12) | — | 1.19 (0.047) | 1.7 (0.07) | R11, R13, R14 | 0.670 |
| RUEF500 | — | 14.0 (0.55) | — | 24.1 (0.95) | 9.4 (0.37) | 10.9 (0.43) | 7.6 (0.30) | — | — | 3.0 (0.12) | — | 1.19 (0.047) | 1.0 (0.04) | R11, R13, R14 | 0.926 |
| RUEF600 | — | 16.5 (0.65) | — | 24.1 (0.95) | 9.4 (0.37) | 10.9 (0.43) | 7.6 (0.30) | — | — | 3.0 (0.12) | — | 1.19 (0.047) | 1.0 (0.04) | R11, R13, R14 | 1.352 |
| RUEF700 | — | 19.1 (0.75) | — | 25.9 (1.02) | 9.4 (0.37) | 10.9 (0.43) | 7.6 (0.30) | — | — | 3.0 (0.12) | — | 1.19 (0.047) | 1.2 (0.05) | R11, R13, R14 | 1.543 |
| RUEF800 | — | 21.6 (0.85) | — | 28.4 (1.12) | 9.4 (0.37) | 10.9 (0.43) | 7.6 (0.30) | — | — | 3.0 (0.12) | — | 1.19 (0.047) | 1.5 (0.06) | R11, R13, R14 | 1.852 |
| RUEF900 | — | 24.1 (0.95) | — | 29.0 (1.14) | 9.4 (0.37) | 10.9 (0.43) | 7.6 (0.30) | — | — | 3.0 (0.12) | — | 1.19 (0.047) | 1.5 (0.06) | R11, R13, R14 | 2.104 |
| RHEF | | | | | | | | | | | | | | | |
| 30V - High Temperature | | | | | | | | | | | | | | | |
| RHEF050 | — | 7.4 (0.29) | — | 12.7 (0.50) | 4.3 (0.17) | 5.8 (0.23) | 7.6 (0.30) | — | — | 3.0 (0.12) | 1.2 (0.05) | — | — | R8, R13, R14 | 0.177 |
| RHEF070 | — | 6.9 (0.27) | — | 10.8 (0.43) | 4.3 (0.17) | 5.8 (0.23) | 7.6 (0.30) | — | — | 3.0 (0.12) | 1.2 (0.05) | 1.24 (0.049) | 1.2 (0.05) | R10, R13, R14 | 0.259 |
| RHEF100 | — | 9.7 (0.38) | — | 13.6 (0.54) | 4.3 (0.17) | 5.8 (0.23) | 7.6 (0.30) | — | — | 3.0 (0.12) | — | — | — | R8, R13, R14 | 0.312 |

| Part Number | Dimensions in Millimeters (Inches) | | | | | | | | | | | | Figure | Device Mass (g) (Only for reference) | |
|-------------------------------|------------------------------------|-----------------|----------------|----------------|---------------|----------------|----------------|----------------|---------------|---------------|---------------|-----------------|----------------|---|-------|
| | A | | B | | C | | D | | E | | F | H | | | J |
| | Min. | Max. | Min. | Max. | Min. | Max. | Min. | Max. | Min. | Max. | Typ. | Typ. | | | Typ. |
| RUSBF | | | | | | | | | | | | | | | |
| 16V | | | | | | | | | | | | | | | |
| RUSBF090 | — | 7.4 (0.29) | — | 12.2 (0.48) | 4.3 (0.17) | 5.8 (0.23) | 7.6 (0.30) | — | — | 3.1 (0.12) | — | 0.89 (0.035) | 0.8 (0.03) | R10, R13, R14 | 0.183 |
| RUSBF110 | — | 7.4 (0.29) | — | 14.2 (0.56) | 4.3 (0.17) | 5.8 (0.23) | 7.6 (0.30) | — | — | 3.0 (0.12) | — | 0.89 (0.035) | 0.8 (0.03) | R10, R13, R14 | 0.204 |
| RUSBF135 | — | 8.9 (0.35) | — | 13.5 (0.53) | 4.3 (0.17) | 5.8 (0.23) | 7.6 (0.30) | — | — | 3.0 (0.12) | — | 0.89 (0.035) | 1.0 (0.04) | R10, R13, R14 | 0.240 |
| RUSBF160 | — | 8.9 (0.35) | — | 15.2 (0.60) | 4.3 (0.17) | 5.8 (0.23) | 7.6 (0.30) | — | — | 3.0 (0.12) | — | 0.89 (0.035) | 1.0 (0.04) | R10, R13, R14 | 0.300 |
| RUSBF185 | — | 10.2 (0.40) | — | 15.7 (0.62) | 4.3 (0.17) | 5.8 (0.23) | 7.6 (0.30) | — | — | 3.0 (0.12) | — | 0.89 (0.035) | 1.0 (0.04) | R10, R13, R14 | 0.368 |
| RUSBF250 | — | 11.4 (0.45) | — | 18.3 (0.72) | 4.3 (0.17) | 5.8 (0.23) | 7.6 (0.30) | — | — | 3.0 (0.12) | — | 0.89 (0.035) | 1.2 (0.05) | R10, R13, R14 | 0.467 |
| RGEF | | | | | | | | | | | | | | | |
| 16V | | | | | | | | | | | | | | | |
| RGEF250 | — | 8.9 (0.35) | — | 12.8 (0.50) | 4.3 (0.17) | 5.8 (0.23) | 3.18 (0.13) | 6.18 (0.24) | — | 3.0 (0.12) | 1.2 (0.05) | 1.24 (0.049) | 1.2 (0.05) | R10, R13, R14 | 0.277 |
| RGEF300 | 6.1 (0.24) | 7.1 (0.28) | 6.1 (0.24) | 11.0 (0.43) | 4.3 (0.17) | 5.8 (0.23) | 7.6 (0.30) | — | 2.0 (0.08) | 3.0 (0.12) | 1.2 (0.05) | 1.24 (0.049) | 1.2 (0.05) | R11, R13, R14 | 0.323 |
| RGEF400 | 7.9 (0.31) | 8.9 (0.35) | 7.9 (0.31) | 12.8 (0.50) | 4.3 (0.17) | 5.8 (0.23) | 7.6 (0.30) | — | 2.0 (0.08) | 3.0 (0.12) | 1.2 (0.05) | 1.24 (0.049) | 1.4 (0.06) | R11, R13, R14 | 0.417 |
| RGEF500 | 9.4 (0.37) | 10.4 (0.41) | 9.4 (0.37) | 14.3 (0.56) | 4.3 (0.17) | 5.8 (0.23) | 7.6 (0.30) | — | 2.0 (0.08) | 3.0 (0.12) | 1.2 (0.05) | 1.24 (0.049) | 1.6 (0.06) | R11, R13, R14 | 0.540 |
| RGEF600 | 9.7 (0.38) | 10.7 (0.42) | 12.2 (0.48) | 17.1 (0.67) | 4.3 (0.17) | 5.8 (0.23) | 7.6 (0.30) | — | 2.0 (0.08) | 3.0 (0.12) | 1.2 (0.05) | 1.24 (0.049) | 1.6 (0.06) | R11, R13, R14 | 0.604 |
| RGEF700 | 10.2 (0.40) | 11.2 (0.44) | 14.7 (0.58) | 19.7 (0.78) | 4.3 (0.17) | 5.8 (0.23) | 7.6 (0.30) | — | 2.0 (0.08) | 3.0 (0.12) | 1.2 (0.05) | 1.24 (0.049) | 1.7 (0.07) | R11, R13, R14 | 0.701 |
| RGEF800 | 11.7 (0.46) | 12.7 (0.50) | 16.0 (0.63) | 20.9 (0.82) | 4.3 (0.17) | 5.8 (0.23) | 7.6 (0.30) | — | 2.0 (0.08) | 3.0 (0.12) | 1.2 (0.05) | 1.24 (0.049) | 1.8 (0.07) | R11, R13, R14 | 0.829 |
| RGEF900 | 13.0 (0.51) | 14.0 (0.55) | 16.8 (0.66) | 21.7 (0.85) | 4.3 (0.17) | 5.8 (0.23) | 7.6 (0.30) | — | 2.0 (0.08) | 3.0 (0.12) | 1.2 (0.05) | 1.24 (0.049) | 2.0 (0.08) | R11, R13, R14 | 0.887 |
| RGEF1000 | 15.5 (0.61) | 16.5 (0.65) | 21.1 (0.83) | 25.2 (0.99) | 4.3 (0.17) | 5.8 (0.23) | 7.6 (0.30) | — | 2.0 (0.08) | 3.0 (0.12) | 1.2 (0.05) | 1.24 (0.049) | 2.0 (0.08) | R11, R13, R14 | 1.219 |
| RGEF1100 | 16.5 (0.65) | 17.5 (0.69) | 21.1 (0.83) | 26.0 (1.02) | 4.3 (0.17) | 5.8 (0.23) | 7.6 (0.30) | — | 2.0 (0.08) | 3.0 (0.12) | 1.2 (0.05) | 1.24 (0.049) | 2.4 (0.09) | R11, R13, R14 | 1.408 |
| RGEF1200 | 16.4 (0.65) | 17.5 (0.69) | 22.6 (0.89) | 28.0 (1.10) | 9.4 (0.37) | 10.9 (0.43) | 7.6 (0.30) | — | 2.3 (0.09) | 3.5 (0.14) | 1.4 (0.06) | 1.45 (0.057) | 1.5 (0.06) | R11, R13, R14 | 1.650 |
| RGEF1400 | 22.4 (0.88) | 23.5 (0.925) | 22.6 (0.89) | 27.9 (1.10) | 9.4 (0.37) | 10.9 (0.43) | 7.6 (0.30) | — | 2.3 (0.09) | 3.5 (0.14) | 1.4 (0.06) | 1.45 (0.057) | 1.9 (0.08) | R11, R13, R14 | 2.146 |
| RHEF | | | | | | | | | | | | | | | |
| 16V - High Temperature | | | | | | | | | | | | | | | |
| RHEF200 | — | 9.4 (0.37) | — | 14.4 (0.57) | 4.3 (0.17) | 5.8 (0.23) | 7.6 (0.30) | — | — | 3.1 (0.12) | — | — | — | R8, R13, R14 | 0.278 |
| RHEF300 | — | 8.8 (0.35) | — | 13.8 (0.55) | 4.3 (0.17) | 5.8 (0.23) | 7.6 (0.30) | — | — | 3.0 (0.12) | 1.2 (0.05) | — | — | R12, R13, R14 | 0.433 |
| RHEF400 | — | 10.0 (0.39) | — | 15.0 (0.59) | 4.3 (0.17) | 5.8 (0.23) | 7.6 (0.30) | — | — | 3.0 (0.12) | 1.2 (0.05) | 1.24 (0.049) | 1.6 (0.06) | R12, R13, R14 | 0.509 |
| RHEF450 | — | 10.4 (0.41) | — | 15.6 (0.61) | 4.3 (0.17) | 5.8 (0.23) | 7.6 (0.30) | — | — | 3.0 (0.12) | 1.2 (0.05) | 1.24 (0.049) | 1.6 (0.06) | R12, R13, R14 | 0.605 |
| RHEF550 | — | 11.2 (0.44) | — | 18.9 (0.74) | 4.3 (0.17) | 5.8 (0.23) | 7.6 (0.30) | — | — | 3.0 (0.12) | 1.2 (0.05) | — | — | R12, R13, R14 | 0.704 |
| RHEF600 | — | 11.2 (0.44) | — | 21.0 (0.83) | 4.3 (0.17) | 5.8 (0.23) | 7.6 (0.30) | — | — | 3.0 (0.12) | 1.2 (0.05) | 1.24 (0.049) | 1.7 (0.067) | R12, R13, R14 | 0.792 |
| RHEF650 | — | 12.7 (0.50) | — | 22.2 (0.88) | 4.3 (0.17) | 5.8 (0.23) | 7.6 (0.30) | — | — | 3.0 (0.12) | 1.2 (0.05) | 1.24 (0.049) | 1.8 (0.07) | R12, R13, R14 | 0.952 |
| RHEF700 | — | 14.0 (0.55) | — | 21.9 (0.86) | 4.3 (0.17) | 5.8 (0.23) | 7.6 (0.30) | — | — | 3.0 (0.12) | 1.2 (0.05) | — | — | R12, R13, R14 | 0.850 |
| RHEF750 | — | 14.0 (0.55) | — | 23.5 (0.93) | 4.3 (0.17) | 5.8 (0.23) | 7.6 (0.30) | — | — | 3.0 (0.12) | 1.2 (0.05) | 1.24 (0.049) | 2.0 (0.08) | R12, R13, R14 | 1.054 |
| RHEF800 | — | 16.5 (0.65) | — | 22.5 (0.88) | 4.3 (0.17) | 5.8 (0.23) | 7.6 (0.30) | — | — | 3.0 (0.12) | 1.2 (0.05) | — | — | R12, R13, R14 | 1.073 |
| RHEF900 | — | 16.5 (0.65) | — | 25.7 (1.01) | 4.3 (0.17) | 5.8 (0.23) | 7.6 (0.30) | — | — | 3.0 (0.12) | 1.2 (0.05) | — | — | R12, R13, R14 | 1.516 |

12

Table R4 Dimensions & Weights for Radial-leaded Devices

Cont'd

| Part Number | Dimensions in Millimeters (Inches) | | | | | | | | | | | | Figure | Device Mass (g) (Only for reference) | |
|-------------------------------|------------------------------------|-----------------|------|----------------|---------------|----------------|---------------|------|------|---------------|---------------|-----------------|----------------|---|-------|
| | A | | B | | C | | D | | E | | F | H | | | J |
| | Min. | Max. | Min. | Max. | Min. | Max. | Min. | Max. | Min. | Max. | Typ. | Typ. | | | Typ. |
| RHEF | | | | | | | | | | | | | | | |
| 16V - High Temperature | | | | | | | | | | | | | | | |
| RHEF1000 | — | 17.5 (0.69) | — | 26.5 (1.04) | 9.4 (0.37) | 10.9 (0.43) | 7.6 (0.30) | — | — | 3.0 (0.12) | 1.2 (0.05) | 1.24 (0.049) | 1.5 (0.06) | R12, R13, R14 | 1.791 |
| RHEF1100 | — | 21.0 (0.83) | — | 26.1 (1.03) | 9.4 (0.37) | 10.9 (0.43) | 7.6 (0.30) | — | — | 3.0 (0.12) | 1.2 (0.05) | — | — | R12, R13, R14 | 1.570 |
| RHEF1300 | — | 23.5 (0.925) | — | 28.7 (1.13) | 9.4 (0.37) | 10.9 (0.43) | 7.6 (0.30) | — | — | 3.6 (0.14) | 1.4 (0.06) | 1.45 (0.057) | 1.9 (0.084) | R12, R13, R14 | 2.257 |
| RHEF1400 | — | 23.5 (0.925) | — | 28.6 (1.13) | 9.4 (0.37) | 10.9 (0.43) | 7.6 (0.30) | — | — | 3.6 (0.14) | 1.4 (0.06) | — | — | R12, R13, R14 | 2.051 |
| RHEF1500 | — | 23.5 (0.925) | — | 28.7 (1.13) | 9.4 (0.37) | 10.9 (0.43) | 7.6 (0.30) | — | — | 3.6 (0.14) | 1.4 (0.06) | 1.45 (0.057) | 1.9 (0.084) | R12, R13, R14 | 2.257 |
| RUSBF | | | | | | | | | | | | | | | |
| 6V | | | | | | | | | | | | | | | |
| RUSBF075 | — | 6.9 (0.27) | — | 11.4 (0.45) | 4.3 (0.17) | 5.9 (0.23) | 7.6 (0.30) | — | — | 3.1 (0.12) | — | 0.91 (0.036) | 1.0 (0.04) | R8, R13, R14 | 0.123 |
| RUSBF120 | — | 6.9 (0.27) | — | 11.7 (0.46) | 4.3 (0.17) | 5.9 (0.23) | 7.6 (0.30) | — | — | 3.1 (0.12) | — | 0.91 (0.036) | 1.0 (0.04) | R8, R13, R14 | 0.111 |
| RUSBF155 | — | 6.9 (0.27) | — | 11.7 (0.46) | 4.3 (0.17) | 5.9 (0.23) | 7.6 (0.30) | — | — | 3.1 (0.12) | — | 0.91 (0.036) | 1.0 (0.04) | R8, R13, R14 | 0.135 |

Figure R15-R21 Typical Time-to-trip Curves at 20°C for Radial-leaded Devices
BBRF

A = BBRF550

Figure R15


RXEF

- | | |
|-------------|-------------|
| A = RXEF005 | J = RXEF075 |
| B = RXEF010 | K = RXEF090 |
| C = RXEF017 | L = RXEF110 |
| D = RXEF020 | M = RXEF135 |
| E = RXEF025 | N = RXEF160 |
| F = RXEF030 | O = RXEF185 |
| G = RXEF040 | P = RXEF250 |
| H = RXEF050 | Q = RXEF300 |
| I = RXEF065 | R = RXEF375 |

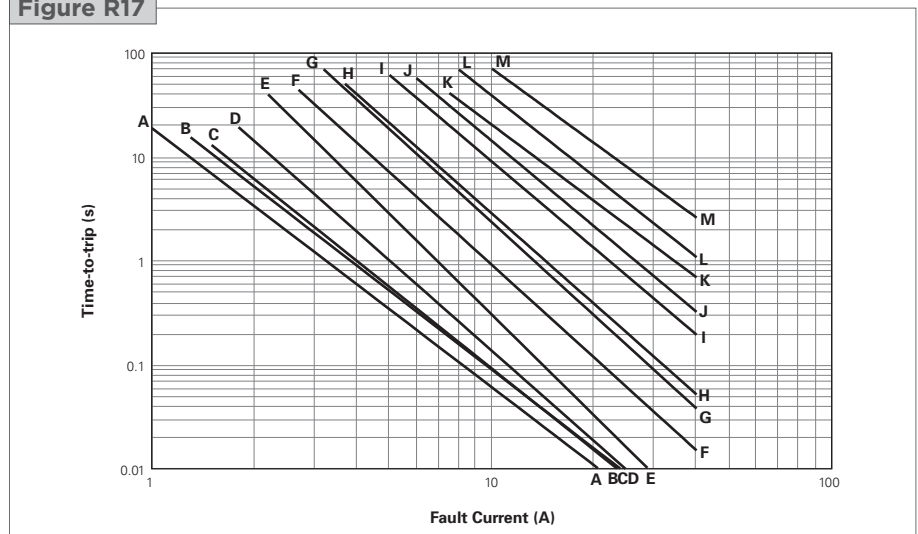
Figure R16



RKEF

- | | |
|-------------|-------------|
| A = RKEF050 | J = RKEF300 |
| B = RKEF065 | K = RKEF375 |
| C = RKEF075 | L = RKEF400 |
| D = RKEF090 | M = RKEF500 |
| E = RKEF110 | |
| F = RKEF135 | |
| G = RKEF160 | |
| H = RKEF185 | |
| I = RKEF250 | |

Figure R17



RUEF

- | | |
|-------------|-------------|
| A = RUEF090 | H = RUEF400 |
| B = RUEF110 | I = RUEF500 |
| C = RUEF135 | J = RUEF600 |
| D = RUEF160 | K = RUEF700 |
| E = RUEF185 | L = RUEF800 |
| F = RUEF250 | M = RUEF900 |
| G = RUEF300 | |

Figure R18

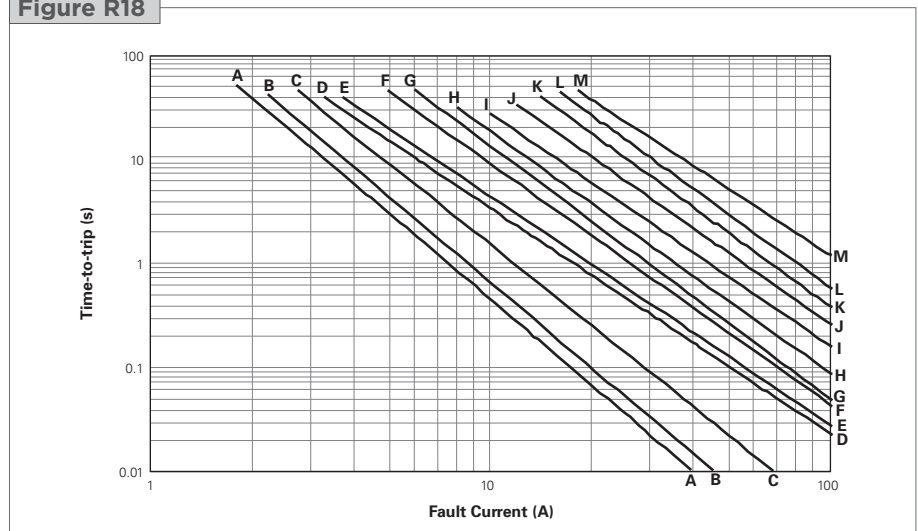


Figure R15-R21 Typical Time-to-trip Curves at 20°C for Radial-leaded Devices

Cont'd

RGEF (data at 25°C)

- A = RGEF250
- B = RGEF300
- C = RGEF400
- D = RGEF500
- E = RGEF600
- F = RGEF700
- G = RGEF800
- H = RGEF900
- I = RGEF1000
- J = RGEF1100
- K = RGEF1200
- L = RGEF1400

Figure R19

RHEF (data at 25°C)

- A = RHEF050
- B = RHEF070
- C = RHEF100
- D = RHEF200
- E = RHEF300
- F = RHEF400
- G = RHEF450
- H = RHEF550
- I = RHEF600
- J = RHEF650
- K = RHEF700
- L = RHEF750
- M = RHEF800
- N = RHEF900
- O = RHEF1000
- P = RHEF1100
- Q = RHEF1300
- R = RHEF1400
- S = RHEF1500

Figure R20

RUSBF

- A = RUSBF075
- B = RUSBF090
- C = RUSBF110
- D = RUSBF120
- E = RUSBF135
- F = RUSBF155
- G = RUSBF160
- H = RUSBF185
- I = RUSBF250

Figure R21


Table R5 Physical Characteristics and Environmental Specifications for Radial-leaded Devices
BBRF
Physical Characteristics

| | |
|---------------------------|--|
| Lead material | Tin-plated copper, 0.52mm ² (20AWG), ø0.81mm (0.032in.) |
| Soldering characteristics | Solderability per ANSI/J-STD-002 Category 3 |
| Solder heat withstand | per IEC-STD 68-2-20, Test Tb, Method 1A, Condition B, can withstand 10 seconds at 260°C ±5°C |
| Insulating material | Cured, flame-retardant epoxy polymer; meets UL 94V-0 |
| Operation temperature | -40°C~85°C |

Note: Devices are not designed to be placed through a reflow process.

Environmental Specifications

| Test | Conditions | Resistance Change |
|--------------------|--------------------------|-------------------|
| Passive aging | 70°C, 1000 hours | ±5% |
| | 85°C, 1000 hours | ±5% |
| Humidity aging | 85°C, 85%RH, 1000 hours | ±5% |
| Thermal shock | 85°C, -40°C (10 times) | ±5% |
| Solvent resistance | MIL-STD-202, Method 215F | No change |

RXEF
Physical Characteristics

| | |
|---------------------------|---|
| Lead material | RXEF005 : Tin-plated nickel-copper alloy, 0.128mm ² (26AWG), ø0.40mm (0.016in.) |
| | RXEF010 : Tin-plated nickel-copper alloy, 0.205mm ² (24AWG), ø0.51mm (0.020in.) |
| | RXEF017 to 040 : Tin-plated copper-clad steel, 0.205mm ² (24AWG), ø0.51mm (0.020in.) |
| | RXEF050 to 090 : Tin-plated copper, 0.205mm ² (24AWG), ø0.51mm (0.020in.) |
| | RXEF110 to 375 : Tin-plated copper, 0.52mm ² (20AWG), ø0.81mm (0.032in.) |
| Soldering characteristics | Solderability per ANSI/J-STD-002 Category 3 |
| | RXEF005, RXEF010 meet ANSI/J-STD-002 Category 1 |
| Solder heat withstand | RXEF005- RXEF025: per IEC-STD 68-2-20, Test Tb, Method 1a, condition a; can withstand 5 seconds at 260°C ±5°C |
| | All other sizes: per IEC-STD 68-2-20, Test Tb, Method 1a, condition b; can withstand 10 seconds at 260°C ±5°C |
| Insulating material | Cured, flame-retardant epoxy polymer; meets UL 94V-0 |
| Operation temperature | -40°C~85°C |

Note: Devices are not designed to be placed through a reflow process.

Environmental Specifications

| Test | Conditions | Resistance Change |
|--------------------|--------------------------|-------------------|
| Passive aging | -40°C, 1000 hours | ±5% |
| | 85°C, 1000 hours | ±5% |
| Humidity aging | 85°C, 85%RH, 1000 hours | ±10% |
| Thermal shock | 85°C, -40°C (10 times) | ±10% |
| Solvent resistance | MIL-STD-202, Method 215F | No change |

RKEF
Physical Characteristics

| | |
|---------------------------|--|
| Lead material | RKEF050 to 090 : Tin-plated copper, 0.205mm ² (24AWG), ø0.51mm (0.020in.) |
| | RKEF110 to 500 : Tin-plated copper, 0.52mm ² (20AWG), ø0.81mm (0.032in.) |
| Soldering characteristics | Solderability per ANSI/J-STD-002 Category 3 |
| Solder heat withstand | RKEF050-RKEF185 : per IEC-STD 68-2-20, Test Tb, Method 1a, condition a; can withstand 5 seconds at 260°C ±5°C |
| | All other sizes: per IEC-STD 68-2-20, Test Tb, Method 1a, condition b; RKEF can withstand 10 seconds at 260°C ±5°C |
| | |
| Insulating material | Cured, flame-retardant epoxy polymer; meets UL 94V-0 |
| Operation temperature | -40°C~85°C |

Note: Devices are not designed to be placed through a reflow process.

Table R5 Physical Characteristics and Environmental Specifications for Radial-leaded Devices

Cont'd

RKEF
Environmental Specifications

| Test | Conditions | Resistance Change |
|--------------------|--------------------------|-------------------|
| Passive aging | -40°C, 1000 hours | ±5% |
| | 85°C, 1000 hours | ±5% |
| Humidity aging | 85°C, 85%RH, 1000 hours | ±10% |
| Thermal shock | 85°C, -40°C (10 times) | ±10% |
| Solvent resistance | MIL-STD-202, Method 215F | No change |

RUEF
Physical Characteristics

| | |
|---------------------------|---|
| Lead material | RUEF090 to RUEF250: Tin-plated copper-clad steel, 0.205mm ² (24AWG) |
| | RUEF300 to RUEF900: Tin-plated copper, 0.52mm ² (20AWG), ø0.81mm (0.032in.) |
| Soldering characteristics | Solderability per ANSI/J-STD-002 Category 3 |
| Solder heat withstand | per IEC-STD 68-2-20, Test Tb, Method1A, Condition B, can withstand 10 seconds at 260°C ±5°C |
| Insulating material | Cured, flame-retardant epoxy polymer; meets UL 94V-0 |
| Operation temperature | -40°C~85°C |

Note: Devices are not designed to be placed through a reflow process.

Environmental Specifications

| Test | Conditions | Resistance Change |
|--------------------|--------------------------|-------------------|
| Passive aging | 70°C, 1000 hours | ±5% |
| | 85°C, 1000 hours | ±5% |
| Humidity aging | 85°C, 85%RH, 1000 hours | ±5% |
| Thermal shock | 85°C, -40°C (10 times) | ±5% |
| Solvent resistance | MIL-STD-202, Method 215F | No change |

RUSBF
Physical Characteristics

| | |
|---------------------------|--|
| Lead material | RUSBF075: Tin-plated nickel-copper alloy, 0.205mm ² (24AWG), ø0.51mm/0.020in. |
| | RUSBF090 to RUSBF250: Tin-plated copper clad-steel, 0.205mm ² (24AWG), ø0.51mm/0.020in. |
| Soldering characteristics | Solderability per ANSI/J-STD-002 Category 3 except RUSBF075 meet ANSI/J-STD-002 Category 1 |
| Solder heat withstand | RUSBF120: per IEC-STD 68-2-20, Test Tb, Method 1A, Condition A; can withstand 5 seconds at 260°C ±5°C |
| | All others: per IEC-STD 68-2-20, Test Tb, Method 1A, Condition B; can withstand 10 seconds at 260°C ±5°C |
| Insulating material | Cured, flame-retardant epoxy polymer; meets UL 94V-0 |
| Operation temperature | -40°C~85°C |

Note: Devices are not designed to be placed through a reflow process.

Environmental Specifications

| Test | Conditions | Resistance Change |
|--------------------|--------------------------|-------------------|
| Passive aging | 70°C, 1000 hours | ±5% |
| | 85°C, 1000 hours | ±5% |
| Humidity aging | 85°C, 85%RH, 1000 hours | ±5% |
| Thermal shock | 85°C, -40°C (10 times) | ±5% |
| Solvent resistance | MIL-STD-202, Method 215F | No change |

RGEF
Physical Characteristics

| | |
|---------------------------|--|
| Lead material | RGEF250: Tin-plated copper-clad steel, 0.205mm ² (24AWG), ø0.51mm/0.020in. RGEF300 to RGEF1100 : Tin-plated copper, 0.52mm ² (20AWG), ø0.81mm/0.032in. RGEF1200 to RGEF1400 : Tin-plated copper, 0.82mm ² (18AWG), ø1.0mm/0.04in. |
| Soldering characteristics | Solderability per ANSI/J-STD-002 Category 3 |
| Solder heat withstand | RGEF250 and RGEF400: per IEC 68-2-20, Test Tb, Method 1a, condition a; can withstand 5 seconds at 260°C ±5°C RGEF500 to RGEF1400: per IEC 68-2-20, Test Tb, Method 1a, condition b; can withstand 10 seconds at 260°C ±5°C |
| Insulating material | Cured, flame-retardant epoxy polymer; meets UL 94V-0 |
| Operation temperature | -40°C~85°C |

Note: Devices are not designed to be placed through a reflow process.

Environmental Specifications

| Test | Conditions | Resistance Change |
|--------------------|--------------------------|-------------------|
| Passive aging | -40°C, 1000 hours | ±5% |
| | 85°C, 1000 hours | ±5% |
| Humidity aging | 85°C, 85%RH, 1000 hours | ±5% |
| Thermal shock | 85°C, -40°C (10 times) | ±5% |
| Solvent resistance | MIL-STD-202, Method 215F | No change |

RHEF
Physical Characteristics

| | |
|---------------------------|--|
| Lead material | RHEF050 to RHEF200 : Tin-plated copper clad steel, 0.205mm ² (24AWG), ø0.51mm/0.020in. RHEF300 to RHEF1100 : Tin-plated copper, 0.52mm ² (20AWG), ø0.81mm/0.032in. RHEF1300 to RHEF1500 : Tin-plated copper, 0.82mm ² (18AWG), ø1.0mm/0.04in. |
| Soldering characteristics | Solderability per ANSI/J-STD-002 Category 3 |
| Solder heat withstand | per IEC 68-2-20, Test Tb, Method 1A, Condition B; can withstand 10 seconds at 260°C ±5°C |
| Insulating material | Cured, flame-retardant epoxy polymer; meets UL 94V-0 |
| Operation temperature | -40°C~125°C |

Note: Devices are not designed to be placed through a reflow process.

Environmental Specifications

| Test | Conditions | Resistance Change |
|--------------------|--------------------------|-------------------|
| Passive aging | 70°C, 1000 hours | ±5% |
| | 85°C, 1000 hours | ±5% |
| Humidity aging | 85°C, 85%RH, 1000 hours | ±5% |
| Thermal shock | 125°C, -40°C (10 times) | ±5% |
| Solvent resistance | MIL-STD-202, Method 215F | No change |

Storage Conditions for Radial-leaded Devices

| | |
|--------------------|--|
| Storage conditions | 40°C max., 70% RH max.; devices should remain in original sealed bags prior to use. Devices may not meet specified values if these storage conditions are exceeded. |
|--------------------|--|

Note: For the TR devices series, see the telecommunications and networking devices section.

Table R6 Packaging and Marking Information for Radial-leaded Devices

| Part Number | Bag Quantity | Tape & Reel Quantity | Ammo Pack Quantity | Standard Package Quantity | Part Marking | Agency Recognition |
|-------------|--------------|----------------------|--------------------|---------------------------|--------------|--------------------|
| BBRF | | | | | | |
| 99V | | | | | | |
| BBRF550 | 500 | — | — | 10,000 | BF550 | UL, CSA |
| BBRF550-2 | — | 1,500 | — | 7,500 | BF550 | UL, CSA |
| RXEF | | | | | | |
| 60V | | | | | | |
| RXEF005 | 500 | — | — | 10,000 | — | UL, CSA, TÜV |
| RXEF005-2 | — | 3,000 | — | 15,000 | — | UL, CSA, TÜV |
| RXEF005-AP | — | — | 2,000 | 10,000 | — | UL, CSA, TÜV |
| RXEF010 | 500 | — | — | 10,000 | XF010 | UL, CSA, TÜV |
| RXEF010-2 | — | 3,000 | — | 15,000 | XF010 | UL, CSA, TÜV |
| RXEF010-AP | — | — | 2,000 | 10,000 | XF010 | UL, CSA, TÜV |
| RXEF017 | 500 | — | — | 10,000 | XF017 | UL, CSA, TÜV |
| RXEF017-2 | — | 2,500 | — | 12,500 | XF017 | UL, CSA, TÜV |
| RXEF017-AP | — | — | 2,000 | 10,000 | XF017 | UL, CSA, TÜV |
| RXEF | | | | | | |
| 72V | | | | | | |
| RXEF020 | 500 | — | — | 10,000 | XF020 | UL, CSA, TÜV |
| RXEF020-2 | — | 3,000 | — | 15,000 | XF020 | UL, CSA, TÜV |
| RXEF020-AP | — | — | 2,000 | 10,000 | XF020 | UL, CSA, TÜV |
| RXEF025 | 500 | — | — | 10,000 | XF025 | UL, CSA, TÜV |
| RXEF025-2 | — | 3,000 | — | 15,000 | XF025 | UL, CSA, TÜV |
| RXEF025-AP | — | — | 2,000 | 10,000 | XF025 | UL, CSA, TÜV |
| RXEF030 | 500 | — | — | 10,000 | XF030 | UL, CSA, TÜV |
| RXEF030-2 | — | 3,000 | — | 15,000 | XF030 | UL, CSA, TÜV |
| RXEF030-AP | — | — | 2,000 | 10,000 | XF030 | UL, CSA, TÜV |
| RXEF040 | 500 | — | — | 10,000 | XF040 | UL, CSA, TÜV |
| RXEF040-2 | — | 3,000 | — | 15,000 | XF040 | UL, CSA, TÜV |
| RXEF040-AP | — | — | 2,000 | 10,000 | XF040 | UL, CSA, TÜV |
| RXEF050 | 500 | — | — | 10,000 | XF050 | UL, CSA, TÜV |
| RXEF050-2 | — | 3,000 | — | 15,000 | XF050 | UL, CSA, TÜV |
| RXEF050-AP | — | — | 2,000 | 10,000 | XF050 | UL, CSA, TÜV |
| RXEF065 | 500 | — | — | 10,000 | XF065 | UL, CSA, TÜV |
| RXEF065-2 | — | 3,000 | — | 15,000 | XF065 | UL, CSA, TÜV |
| RXEF065-AP | — | — | 2,000 | 10,000 | XF065 | UL, CSA, TÜV |
| RXEF075 | 500 | — | — | 10,000 | XF075 | UL, CSA, TÜV |
| RXEF075-2 | — | 3,000 | — | 15,000 | XF075 | UL, CSA, TÜV |
| RXEF075-AP | — | — | 2,000 | 10,000 | XF075 | UL, CSA, TÜV |
| RXEF090 | 500 | — | — | 10,000 | XF090 | UL, CSA, TÜV |
| RXEF090-2 | — | 3,000 | — | 15,000 | XF090 | UL, CSA, TÜV |
| RXEF090-AP | — | — | 2,000 | 10,000 | XF090 | UL, CSA, TÜV |
| RXEF110 | 500 | — | — | 10,000 | XF110 | UL, CSA, TÜV |
| RXEF110-2 | — | 1,500 | — | 7,500 | XF110 | UL, CSA, TÜV |
| RXEF110-AP | — | — | 1,000 | 5,000 | XF110 | UL, CSA, TÜV |
| RXEF135 | 500 | — | — | 10,000 | XF135 | UL, CSA, TÜV |
| RXEF135-2 | — | 1,500 | — | 7,500 | XF135 | UL, CSA, TÜV |
| RXEF135-AP | — | — | 1,000 | 5,000 | XF135 | UL, CSA, TÜV |
| RXEF160 | 500 | — | — | 10,000 | XF160 | UL, CSA, TÜV |
| RXEF160-2 | — | 1,500 | — | 7,500 | XF160 | UL, CSA, TÜV |
| RXEF160-AP | — | — | 1,000 | 5,000 | XF160 | UL, CSA, TÜV |
| RXEF185 | 500 | — | — | 10,000 | XF185 | UL, CSA, TÜV |
| RXEF185-2 | — | 1,500 | — | 7,500 | XF185 | UL, CSA, TÜV |
| RXEF185-AP | — | — | 1,000 | 5,000 | XF185 | UL, CSA, TÜV |

Table R6 Packaging and Marking Information for Radial-led Devices

Cont'd

| Part Number | Bag Quantity | Tape & Reel Quantity | Ammo Pack Quantity | Standard Package Quantity | Part Marking | Agency Recognition |
|-------------|--------------|----------------------|--------------------|---------------------------|--------------|--------------------|
| RXEF | | | | | | |
| 72V | | | | | | |
| RXEF250 | 250 | — | — | 5,000 | XF250 | UL, CSA, TÜV |
| RXEF250-2 | — | 1,000 | — | 5,000 | XF250 | UL, CSA, TÜV |
| RXEF250-AP | — | — | 1,000 | 5,000 | XF250 | UL, CSA, TÜV |
| RXEF300 | 250 | — | — | 5,000 | XF300 | UL, CSA, TÜV |
| RXEF300-2 | — | 1,000 | — | 5,000 | XF300 | UL, CSA, TÜV |
| RXEF300-AP | — | — | 1,000 | 5,000 | XF300 | UL, CSA, TÜV |
| RXEF375 | 250 | — | — | 5,000 | XF375 | UL, CSA, TÜV |
| RKEF | | | | | | |
| 60V | | | | | | |
| RKEF050 | 500 | — | — | 10,000 | KF050 | UL, CSA, TÜV |
| RKEF065 | 500 | — | — | 10,000 | KF065 | UL, CSA, TÜV |
| RKEF075 | 500 | — | — | 10,000 | KF075 | UL, CSA, TÜV |
| RKEF090 | 500 | — | — | 10,000 | KF090 | UL, CSA, TÜV |
| RKEF110 | 500 | — | — | 10,000 | KF110 | UL, CSA, TÜV |
| RKEF135 | 500 | — | — | 10,000 | KF135 | UL, CSA, TÜV |
| RKEF160 | 500 | — | — | 10,000 | KF160 | UL, CSA, TÜV |
| RKEF185 | 500 | — | — | 10,000 | KF185 | UL, CSA, TÜV |
| RKEF250 | 500 | — | — | 10,000 | KF250 | UL, CSA, TÜV |
| RKEF300 | 250 | — | — | 5,000 | KF300 | UL, CSA, TÜV |
| RKEF375 | 250 | — | — | 5,000 | KF375 | UL, CSA, TÜV |
| RKEF400 | 250 | — | — | 5,000 | KF400 | UL, CSA, TÜV |
| RKEF500 | 250 | — | — | 5,000 | KF500 | UL, CSA, TÜV |
| RUEF | | | | | | |
| 30V | | | | | | |
| RUEF090 | 500 | — | — | 10,000 | UF090 | UL, CSA, TÜV, CQC |
| RUEF090-2 | — | 3,000 | — | 15,000 | UF090 | UL, CSA, TÜV, CQC |
| RUEF090-AP | — | — | 2,000 | 10,000 | UF090 | UL, CSA, TÜV, CQC |
| RUEF110 | 500 | — | — | 10,000 | UF110 | UL, CSA, TÜV, CQC |
| RUEF110-2 | — | 3,000 | — | 15,000 | UF110 | UL, CSA, TÜV, CQC |
| RUEF110-AP | — | — | 2,000 | 10,000 | UF110 | UL, CSA, TÜV, CQC |
| RUEF135 | 500 | — | — | 10,000 | UF135 | UL, CSA, TÜV, CQC |
| RUEF135-2 | — | 3,000 | — | 15,000 | UF135 | UL, CSA, TÜV, CQC |
| RUEF135-AP | — | — | 2,000 | 10,000 | UF135 | UL, CSA, TÜV, CQC |
| RUEF160 | 500 | — | — | 10,000 | UF160 | UL, CSA, TÜV, CQC |
| RUEF160-2 | — | 3,000 | — | 15,000 | UF160 | UL, CSA, TÜV, CQC |
| RUEF160-AP | — | — | 2,000 | 10,000 | UF160 | UL, CSA, TÜV, CQC |
| RUEF185 | 500 | — | — | 10,000 | UF185 | UL, CSA, TÜV, CQC |
| RUEF185-2 | — | 3,000 | — | 15,000 | UF185 | UL, CSA, TÜV, CQC |
| RUEF185-AP | — | — | 2,000 | 10,000 | UF185 | UL, CSA, TÜV, CQC |
| RUEF250 | 500 | — | — | 10,000 | UF250 | UL, CSA, TÜV, CQC |
| RUEF250-2 | — | 3,000 | — | 15,000 | UF250 | UL, CSA, TÜV, CQC |
| RUEF250-AP | — | — | 2,000 | 10,000 | UF250 | UL, CSA, TÜV, CQC |
| RUEF300 | 500 | — | — | 10,000 | UF300 | UL, CSA, TÜV, CQC |
| RUEF300-2 | — | 2,500 | — | 12,500 | UF300 | UL, CSA, TÜV, CQC |
| RUEF300-AP | — | — | 1,000 | 5,000 | UF300 | UL, CSA, TÜV, CQC |
| RUEF400 | 500 | — | — | 10,000 | UF400 | UL, CSA, TÜV, CQC |
| RUEF400-2 | — | 1,500 | — | 7,500 | UF400 | UL, CSA, TÜV, CQC |
| RUEF400-AP | — | — | 1,000 | 5,000 | UF400 | UL, CSA, TÜV, CQC |
| RUEF500 | 250 | — | — | 5,000 | UF500 | UL, CSA, TÜV, CQC |
| RUEF500-2 | — | 1,500 | — | 7,500 | UF500 | UL, CSA, TÜV, CQC |
| RUEF500-AP | — | — | 1,000 | 5,000 | UF500 | UL, CSA, TÜV, CQC |
| RUEF600 | 250 | — | — | 5,000 | UF600 | UL, CSA, TÜV, CQC |
| RUEF600-2 | — | 1,000 | — | 5,000 | UF600 | UL, CSA, TÜV, CQC |
| RUEF600-AP | — | — | 1,000 | 5,000 | UF600 | UL, CSA, TÜV, CQC |

Table R6 Packaging and Marking Information for Radial-leaded Devices

Cont'd

| Part Number | Bag Quantity | Tape & Reel Quantity | Ammo Pack Quantity | Standard Package Quantity | Part Marking | Agency Recognition |
|-------------------------------|--------------|----------------------|--------------------|---------------------------|--------------|--------------------|
| RUEF | | | | | | |
| 30V | | | | | | |
| RUEF700 | 250 | — | — | 5,000 | UF700 | UL, CSA, TÜV, CQC |
| RUEF700-2 | — | 1,000 | — | 5,000 | UF700 | UL, CSA, TÜV, CQC |
| RUEF700-AP | — | — | 1,000 | 5,000 | UF700 | UL, CSA, TÜV, CQC |
| RUEF800 | 250 | — | — | 5,000 | UF800 | UL, CSA, TÜV, CQC |
| RUEF800-2 | — | 1,000 | — | 5,000 | UF800 | UL, CSA, TÜV, CQC |
| RUEF800-AP | — | — | 1,000 | 5,000 | UF800 | UL, CSA, TÜV, CQC |
| RUEF900 | 250 | — | — | 5,000 | UF900 | UL, CSA, TÜV, CQC |
| RUEF900-2 | — | 1,000 | — | 4,000 | UF900 | UL, CSA, TÜV, CQC |
| RUEF900-AP | — | — | 1,000 | 4,000 | UF900 | UL, CSA, TÜV, CQC |
| RHEF | | | | | | |
| 30V - High Temperature | | | | | | |
| RHEF050 | 500 | — | — | 10,000 | HF0.5 | UL, CSA, TÜV |
| RHEF050-2 | — | 2,500 | — | 12,500 | HF0.7 | UL, CSA, TÜV |
| RHEF070 | 500 | — | — | 10,000 | HF0.7 | UL, CSA, TÜV |
| RHEF070-2 | — | 2,500 | — | 12,500 | HF0.7 | UL, CSA, TÜV |
| RHEF100 | 500 | — | — | 10,000 | HF1.0 | UL, CSA, TÜV |
| RHEF100-2 | — | 2,500 | — | 12,500 | HF1.0 | UL, CSA, TÜV |
| RUSBF | | | | | | |
| 16V | | | | | | |
| RUSBF090 | 500 | — | — | 10,000 | RF090 | UL, CSA, TÜV |
| RUSBF090-2 | — | 3,000 | — | 15,000 | RF090 | UL, CSA, TÜV |
| RUSBF090-AP | — | — | 2,000 | 10,000 | RF090 | UL, CSA, TÜV |
| RUSBF110 | 500 | — | — | 10,000 | RF110 | UL, CSA, TÜV |
| RUSBF110-2 | — | 3,000 | — | 15,000 | RF110 | UL, CSA, TÜV |
| RUSBF110-AP | — | — | 2,000 | 10,000 | RF110 | UL, CSA, TÜV |
| RUSBF135 | 500 | — | — | 10,000 | RF135 | UL, CSA, TÜV |
| RUSBF135-2 | — | 3,000 | — | 15,000 | RF135 | UL, CSA, TÜV |
| RUSBF135-AP | — | — | 2,000 | 10,000 | RF135 | UL, CSA, TÜV |
| RUSBF160 | 500 | — | — | 10,000 | RF160 | UL, CSA, TÜV |
| RUSBF160-2 | — | 3,000 | — | 15,000 | RF160 | UL, CSA, TÜV |
| RUSBF160-AP | — | — | 2,000 | 10,000 | RF160 | UL, CSA, TÜV |
| RUSBF185 | 500 | — | — | 10,000 | RF185 | UL, CSA, TÜV |
| RUSBF185-2 | — | 3,000 | — | 15,000 | RF185 | UL, CSA, TÜV |
| RUSBF185-AP | — | — | 2,000 | 10,000 | RF185 | UL, CSA, TÜV |
| RUSBF250 | 500 | — | — | 10,000 | RF250 | UL, CSA, TÜV |
| RUSBF250-2 | — | 3,000 | — | 15,000 | RF250 | UL, CSA, TÜV |
| RUSBF250-AP | — | — | 2,000 | 10,000 | RF250 | UL, CSA, TÜV |
| RGEF | | | | | | |
| 16V | | | | | | |
| RGEF250 | 500 | — | — | 10,000 | GF250 | UL, CSA, TÜV |
| RGEF250-2 | — | 3,000 | — | 15,000 | GF250 | UL, CSA, TÜV |
| RGEF250-AP | — | — | 2,000 | 10,000 | GF250 | UL, CSA, TÜV |
| RGEF300 | 500 | — | — | 10,000 | GF300 | UL, CSA, TÜV |
| RGEF300-2 | — | 2,500 | — | 12,500 | GF300 | UL, CSA, TÜV |
| RGEF300-AP | — | — | 2,000 | 10,000 | GF300 | UL, CSA, TÜV |
| RGEF400 | 500 | — | — | 10,000 | GF400 | UL, CSA, TÜV |
| RGEF400-2 | — | 2,500 | — | 12,500 | GF400 | UL, CSA, TÜV |
| RGEF400-AP | — | — | 2,000 | 10,000 | GF400 | UL, CSA, TÜV |
| RGEF500 | 500 | — | — | 10,000 | GF500 | UL, CSA, TÜV |
| RGEF500-2 | — | 2,000 | — | 10,000 | GF500 | UL, CSA, TÜV |
| RGEF500-AP | — | — | 2,000 | 10,000 | GF500 | UL, CSA, TÜV |
| RGEF600 | 500 | — | — | 10,000 | GF600 | UL, CSA, TÜV |
| RGEF600-2 | — | 2,000 | — | 10,000 | GF600 | UL, CSA, TÜV |
| RGEF600-AP | — | — | 2,000 | 10,000 | GF600 | UL, CSA, TÜV |

Table R6 Packaging and Marking Information for Radial-leaded Devices

Cont'd

| Part Number | Bag Quantity | Tape & Reel Quantity | Ammo Pack Quantity | Standard Package Quantity | Part Marking | Agency Recognition |
|-------------------------------|--------------|----------------------|--------------------|---------------------------|--------------|--------------------|
| RGEF | | | | | | |
| 16V | | | | | | |
| RGEF700 | 500 | — | — | 10,000 | GF700 | UL, CSA, TÜV |
| RGEF700-2 | — | 1,500 | — | 7,500 | GF700 | UL, CSA, TÜV |
| RGEF700-AP | — | — | 1,500 | 7,500 | GF700 | UL, CSA, TÜV |
| RGEF800 | 500 | — | — | 10,000 | GF800 | UL, CSA, TÜV |
| RGEF800-2 | — | 1,000 | — | 5,000 | GF800 | UL, CSA, TÜV |
| RGEF800-AP | — | — | 1,000 | 5,000 | GF800 | UL, CSA, TÜV |
| RGEF900 | 500 | — | — | 10,000 | GF900 | UL, CSA, TÜV |
| RGEF900-2 | — | 1,000 | — | 5,000 | GF900 | UL, CSA, TÜV |
| RGEF900-AP | — | — | 1,000 | 5,000 | GF900 | UL, CSA, TÜV |
| RGEF1000 | 250 | — | — | 5,000 | GF1000 | UL, CSA, TÜV |
| RGEF1000-2 | — | 1,000 | — | 5,000 | GF1000 | UL, CSA, TÜV |
| RGEF1000-AP | — | — | 1,000 | 5,000 | GF1000 | UL, CSA, TÜV |
| RGEF1100 | 250 | — | — | 5,000 | GF1100 | UL, CSA, TÜV |
| RGEF1100-2 | — | 1,000 | — | 5,000 | GF1100 | UL, CSA, TÜV |
| RGEF1100-AP | — | — | 1,000 | 5,000 | GF1100 | UL, CSA, TÜV |
| RGEF1200 | 250 | — | — | 5,000 | GF1200 | UL, CSA, TÜV |
| RGEF1200-2 | — | 1,000 | — | 5,000 | GF1200 | UL, CSA, TÜV |
| RGEF1200-AP | — | — | 1,000 | 5,000 | GF1200 | UL, CSA, TÜV |
| RGEF1400 | 250 | — | — | 5,000 | GF1400 | UL, CSA, TÜV |
| RGEF1400-2 | — | 1,000 | — | 5,000 | GF1400 | UL, CSA, TÜV |
| RGEF1400-AP | — | — | 1,000 | 5,000 | GF1400 | UL, CSA, TÜV |
| RHEF | | | | | | |
| 16V - High Temperature | | | | | | |
| RHEF200 | 500 | — | — | 10,000 | HF2.0 | UL, CSA, TÜV |
| RHEF200-2 | — | 2,500 | — | 12,500 | HF2.0 | UL, CSA, TÜV |
| RHEF200-AP | — | — | 2,500 | 12,500 | HF2.0 | UL, CSA, TÜV |
| RHEF300 | 500 | — | — | 10,000 | HF3 | UL, CSA, TÜV |
| RHEF300-2 | — | 2,000 | — | 10,000 | HF3 | UL, CSA, TÜV |
| RHEF300-AP | — | — | 2,000 | 10,000 | HF3 | UL, CSA, TÜV |
| RHEF400 | 500 | — | — | 10,000 | HF4 | UL, CSA, TÜV |
| RHEF400-2 | — | 1,500 | — | 7,500 | HF4 | UL, CSA, TÜV |
| RHEF400-AP | — | — | 1,500 | 7,500 | HF4 | UL, CSA, TÜV |
| RHEF450 | 500 | — | — | 10,000 | HF4.5 | UL, CSA, TÜV |
| RHEF450-2 | — | 1,500 | — | 7,500 | HF4.5 | UL, CSA, TÜV |
| RHEF450-AP | — | — | 1,500 | 7,500 | HF4.5 | UL, CSA, TÜV |
| RHEF550 | 500 | — | — | 10,000 | HF5.5 | UL, CSA, TÜV |
| RHEF550-2 | — | 2,000 | — | 10,000 | HF5.5 | UL, CSA, TÜV |
| RHEF550-AP | — | — | 2,000 | 10,000 | HF5.5 | UL, CSA, TÜV |
| RHEF600 | 500 | — | — | 10,000 | HF6 | UL, CSA, TÜV |
| RHEF600-2 | — | 1,500 | — | 7,500 | HF6 | UL, CSA, TÜV |
| RHEF600-AP | — | — | 1,500 | 7,500 | HF6 | UL, CSA, TÜV |
| RHEF650 | 500 | — | — | 10,000 | HF6.5 | UL, CSA, TÜV |
| RHEF650-2 | — | 1,500 | — | 7,500 | HF6.5 | UL, CSA, TÜV |
| RHEF650-AP | — | — | 1,500 | 7,500 | HF6.5 | UL, CSA, TÜV |
| RHEF700 | 500 | — | — | 10,000 | HF7 | UL, CSA, TÜV |
| RHEF700-2 | — | 1,500 | — | 7,500 | HF7 | UL, CSA, TÜV |
| RHEF700-AP | — | — | 1,500 | 7,500 | HF7 | UL, CSA, TÜV |
| RHEF750 | 500 | — | — | 10,000 | HF7.5 | UL, CSA, TÜV |
| RHEF750-2 | — | 1,000 | — | 5,000 | HF7.5 | UL, CSA, TÜV |
| RHEF750-AP | — | — | 1,000 | 5,000 | HF7.5 | UL, CSA, TÜV |
| RHEF800 | 500 | — | — | 10,000 | HF8 | UL, CSA, TÜV |
| RHEF800-2 | — | 1,000 | — | 5,000 | HF8 | UL, CSA, TÜV |
| RHEF800-AP | — | — | 1,000 | 5,000 | HF8 | UL, CSA, TÜV |

Table R6 Packaging and Marking Information for Radial-leaded Devices

Cont'd

| Part Number | Bag Quantity | Tape & Reel Quantity | Ammo Pack Quantity | Standard Package Quantity | Part Marking | Agency Recognition |
|-------------------------------|--------------|----------------------|--------------------|---------------------------|--------------|--------------------|
| RHEF | | | | | | |
| 16V - High Temperature | | | | | | |
| RHEF900 | 250 | — | — | 5,000 | HF9 | UL, CSA, TÜV |
| RHEF900-2 | — | 1,000 | — | 5,000 | HF9 | UL, CSA, TÜV |
| RHEF900-AP | — | — | 1,000 | 5,000 | HF9 | UL, CSA, TÜV |
| RHEF1000 | 250 | — | — | 5,000 | HF10 | UL, CSA, TÜV |
| RHEF1000-2 | — | 1,000 | — | 5,000 | HF10 | UL, CSA, TÜV |
| RHEF1000-AP | — | — | 1,000 | 5,000 | HF10 | UL, CSA, TÜV |
| RHEF1100 | 250 | — | — | 5,000 | HF11 | UL, CSA, TÜV |
| RHEF1100-2 | — | 1,000 | — | 5,000 | HF11 | UL, CSA, TÜV |
| RHEF1100-AP | — | — | 1,000 | 5,000 | HF11 | UL, CSA, TÜV |
| RHEF1300 | 250 | — | — | 5,000 | HF13 | UL, CSA, TÜV |
| RHEF1300-2 | — | 1,000 | — | 5,000 | HF13 | UL, CSA, TÜV |
| RHEF1300-AP | — | — | 1,000 | 5,000 | HF13 | UL, CSA, TÜV |
| RHEF1400 | 250 | — | — | 5,000 | HF14 | UL, CSA, TÜV |
| RHEF1400-2 | — | 1,000 | — | 5,000 | HF14 | UL, CSA, TÜV |
| RHEF1400-AP | — | — | 1,000 | 5,000 | HF14 | UL, CSA, TÜV |
| RHEF1500 | 250 | — | — | 5,000 | HF15 | UL, CSA, TÜV |
| RHEF1500-2 | — | 1,000 | — | 5,000 | HF15 | UL, CSA, TÜV |
| RHEF1500-AP | — | — | 1,000 | 5,000 | HF15 | UL, CSA, TÜV |
| RUSBF | | | | | | |
| 6V | | | | | | |
| RUSBF075 | 500 | — | — | 10,000 | RF075 | UL, CSA, TÜV |
| RUSBF075-2 | — | 3,000 | — | 15,000 | RF075 | UL, CSA, TÜV |
| RUSBF075-AP | — | — | 2,000 | 10,000 | RF075 | UL, CSA, TÜV |
| RUSBF120 | 500 | — | — | 10,000 | RF120 | UL, CSA, TÜV |
| RUSBF120-2 | — | 3,000 | — | 15,000 | RF120 | UL, CSA, TÜV |
| RUSBF120-AP | — | — | 2,000 | 10,000 | RF120 | UL, CSA, TÜV |
| RUSBF155 | 500 | — | — | 10,000 | RF155 | UL, CSA, TÜV |
| RUSBF155-2 | — | 3,000 | — | 15,000 | RF155 | UL, CSA, TÜV |
| RUSBF155-AP | — | — | 2,000 | 10,000 | RF155 | UL, CSA, TÜV |

Agency Recognitions for Radial-leaded Devices

| | |
|-----|--|
| UL | File # E74889 |
| CSA | File # CA78165 |
| TÜV | Certificate number available on request (per IEC 60730-1). |

Table R7 Tape and Reel Specifications for Radial-leaded Devices

RXEF, BBRF and RKEF devices are available in tape and reel packaging per EIA468-B/IEC60286-2 standards. See Figures R22 and R23 for details.

| Description | EIA Mark | Dimension (mm) | Tolerance |
|---|----------------|----------------|------------|
| Carrier tape width | W | 18 | -0.5/+1.0 |
| Hold-down tape width | W ₄ | 11 | Minimum |
| Top distance between tape edges | W ₆ | 3 | Maximum |
| Sprocket hole position | W ₅ | 9 | -0.5/+0.75 |
| Sprocket hole diameter | D ₀ | 4 | ± 0.2 |
| Abscissa to plane (straight lead) (RXEF110 to RXEF300, RKEF135 to RKEF500) | H | 18.5 | ± 2.5 |
| Abscissa to plane (kinked lead) (RXEF010 to RXEF090, BBRF550, RKEF050 to RKEF110) | H ₀ | 16.0 | ± 0.5 |
| Abscissa to top (RXEF010 to RXEF090, BBRF550, RKEF050 to RKEF185) | H ₁ | 32.2 | Maximum |
| Abscissa to top* (RXEF110 to RXEF300, RKEF250 to RKEF500) | H ₁ | 47.5 | Maximum |
| Overall width with lead protrusion (RXEF010 to RXEF090, BBRF550, RKEF050 to RKEF185) | C ₁ | 43.2 | Maximum |
| Overall width with lead protrusion* (RXEF110 to RXEF300, RKEF250 to RKEF500) | C ₁ | 58 | Maximum |
| Overall width without lead protrusion (RXEF010 to RXEF090, BBRF550, RKEF050 to RKEF185) | C ₂ | 42.5 | Maximum |
| Overall width without lead protrusion* (RXEF110 to RXEF300, RKEF250 to RKEF500) | C ₂ | 57 | Maximum |
| Lead protrusion | L ₁ | 1.0 | Maximum |
| Protrusion of cut-out | L | 11.0 | Maximum |
| Protrusion beyond hold-down tape | I ₂ | Not specified | — |
| Sprocket hole pitch | P ₀ | 12.7 | ± 0.3 |
| Device pitch (RXEF010 to RXEF090, BBRF550, RKEF050 to RKEF185) | — | 12.7 | ± 0.3 |
| Device pitch (RXEF110 to RXEF300, RKEF250 to RKEF500) | — | 25.4 | ± 0.61 |
| Pitch tolerance | — | 20 consecutive | ± 1 |
| Tape thickness | t | 0.9 | Maximum |
| Overall tape and lead thickness (RXEF010 to RXEF090, RKEF050 to RKEF185) | t ₁ | 1.5 | Maximum |
| Overall tape and lead thickness (RXEF110 to RXEF300, BBRF550, RKEF250 to RKEF500) | t ₁ | 2.3 | Maximum |
| Splice sprocket hole alignment | — | 0 | ± 0.3 |
| Body lateral deviation | Δh | 0 | ± 1.0 |
| Body tape plane deviation | Δp | 0 | ± 1.3 |
| Ordinate to adjacent component lead (RXEF010 to RXEF185, BBRF550, RKEF050 to RKEF300) | P ₁ | 3.81 | ± 0.7 |
| Ordinate to adjacent component lead (RXEF250 to RXEF300, RKEF375 to RKEF500) | P ₁ | 7.62 | ± 0.7 |
| Lead spacing* (RXEF010 to RXEF185, BBRF550, RKEF050 to RKEF300) | F | 5.05 | ± 0.75 |
| Lead spacing* (RXEF250 to RXEF300, RKEF375 to RKEF500) | F | 10.15 | ± 0.75 |
| Reel width (RXEF010 to RXEF090, RKEF050 to RKEF185) | w ₂ | 56.0 | Maximum |
| Reel width* (RXEF110 to RXEF300, RKEF250 to RKEF500) | w ₂ | 63.5 | Maximum |
| Reel diameter | a | 370.0 | Maximum |
| Space between flanges* (RXEF010 to RXEF090, RKEF050 to RKEF185) | w ₁ | 48.00 | Maximum |
| Space between flanges* (RXEF110 to RXEF300, RKEF250 to RKEF500) | w ₁ | 55.00 | Maximum |
| Arbor hold diameter | c | 26.0 | ± 12.0 |
| Core diameter* | n | 91.0 | Maximum |
| Box | — | 64/372/362 | Maximum |
| Consecutive missing places | — | None | — |
| Empty places per reel | — | 0.1% | Maximum |

*Differs from EIA specification.

Table R7 Tape and Reel Specifications for Radial-leaded Devices

Cont'd

RUEF and RUSBF devices are available in tape and reel packaging per EIA468-B/IEC60286-2 standards. See Figures R22 and R23 for details.

| Description | EIA Mark | Dimension (mm) | Tolerance |
|--|----------------|----------------|------------|
| Carrier tape width | W | 18 | -0.5/+1.0 |
| Hold-down tape width | W ₄ | 11 | Minimum |
| Top distance between tape edges | W ₆ | 3 | Maximum |
| Sprocket hole position | W ₅ | 9 | -0.5/+0.75 |
| Sprocket hole diameter | D ₀ | 4 | ± 0.2 |
| Abscissa to plane (straight lead)* (RUEF300 to RUEF900) | H | 18.5 | ± 2.5 |
| Abscissa to plane (kinked lead) (RUSBF075 to RUSBF250, RUEF090 to RUEF250) | H ₀ | 16.0 | ± 0.5 |
| Abscissa to top (RUSBF075 to RUSBF250, RUEF090 to RUEF300) | H ₁ | 32.2 | Maximum |
| Abscissa to top* (RUEF400 to RUEF900) | H ₁ | 45.0 | Maximum |
| Overall width with lead protrusion (RUSBF075 to RUSBF250, RUEF090 to RUEF300) | C ₁ | 43.2 | Maximum |
| Overall width with lead protrusion (RUEF400 to RUEF900) | C ₁ | 56 | Maximum |
| Overall width without lead protrusion (RUSBF075 to RUSBF250, RUEF090 to RUEF300) | C ₂ | 42.5 | Maximum |
| Overall width without lead protrusion (RUEF400 to RUEF900) | C ₂ | 56 | Maximum |
| Lead protrusion | L ₁ | 1.0 | Maximum |
| Protrusion of cut-out | L | 11 | Maximum |
| Protrusion beyond hold-down tape | I ₂ | Not specified | — |
| Sprocket hole pitch | P ₀ | 12.7 | ± 0.3 |
| Device pitch (RUSBF075 to RUSBF250, RUEF090 to RUEF300) | — | 12.7 | ± 0.3 |
| Device pitch (RUEF400 to RUEF900) | — | 25.4 | ± 0.6 |
| Pitch tolerance | — | 20 consecutive | ± 1 |
| Tape thickness | t | 0.9 | Maximum |
| Overall tape and lead thickness (RUSBF075 to RUSBF250, RUEF090 to RUEF250) | t ₁ | 1.5 | Maximum |
| Overall tape and lead thickness* (RUEF300 to RUEF900) | t ₁ | 2.3 | Maximum |
| Splice sprocket hole alignment | — | 0 | ± 0.3 |
| Body lateral deviation | Δh | 0 | ± 1.0 |
| Body tape plane deviation | Δp | 0 | ± 1.3 |
| Ordinate to adjacent component lead (RUSBF075 to RUSBF250, RUEF090 to RUEF300) | P ₁ | 3.81 | ± 0.7 |
| Ordinate to adjacent component lead (RUEF400 to RUEF900) | P ₁ | 7.62 | ± 0.7 |
| Lead spacing* (RUSBF075 to RUSBF250, RUEF090 to RUEF400) | F | 5.05 | ± 0.75 |
| Lead spacing* (RUEF500 to RUEF900) | F | 10.15 | ± 0.75 |
| Reel width (RUEF090 to RUEF400, RUSBF075 to RUSBF250) | w ₂ | 56.0 | Maximum |
| Reel width (RUEF500* to RUEF900) | w ₂ | 63.5 | Maximum |
| Reel diameter | a | 370.0 | Maximum |
| Space between flanges* (RUEF090 to RUEF400, RUSBF075 to RUSBF250) | w ₁ | 48.0 | Maximum |
| Space between flanges* (RUEF500 to RUEF900) | w ₁ | 55.0 | Maximum |
| Arbor hold diameter | c | 26.0 | ± 12.0 |
| Core diameter* | n | 91.0 | Maximum |
| Box | — | 64/372/362 | Maximum |
| Consecutive missing places | — | None | — |
| Empty places per reel | — | 0.1% | Maximum |

*Differs from EIA specification.

Table R7 Tape and Reel Specifications for Radial-leaded Devices

Cont'd

RGEF and RHEF devices are available in tape and reel packaging per EIA468-B/IEC60286-2 standards. See Figures R22 and R23 for details.

| Description | EIA Mark | Dimension (mm) | Tolerance |
|--|----------------|----------------|------------|
| Carrier tape width | W | 18 | -0.5/+1.0 |
| Hold-down tape width | W ₄ | 11 | Minimum |
| Top distance between tape edges | W ₆ | 3 | Maximum |
| Sprocket hole position | W ₅ | 9 | -0.5/+0.75 |
| Sprocket hole diameter | D ₀ | 4 | ± 0.2 |
| Abscissa to plane (straight lead) (RGEF250 to RGEF1400) | H | 18.5 | ± 2.5 |
| Abscissa to plane (kinked lead) (RHEF050 to RHEF1500) | H ₀ | 16.0 | ± 0.5 |
| Abscissa to top (RGEF250 to RGEF500, RHEF050 to RHEF450) | H ₁ | 32.2 | Maximum |
| Abscissa to top* (RGEF600 to RGEF1400, RHEF550 to RHEF1500) | H ₁ | 45.0 | Maximum |
| Overall width with lead protrusion (RGEF250 to RGEF600, RHEF050 to RHEF450) | C ₁ | 43.2 | Maximum |
| Overall width with lead protrusion (RGEF700 to RGEF1400, RHEF550 to RHEF1500) | C ₁ | 55 | Maximum |
| Overall width without lead protrusion (RGEF250 to RGEF600, RHEF050 to RHEF450) | C ₂ | 42.5 | Maximum |
| Overall width without lead protrusion (RGEF700 to RGEF1400, RHEF550 to RHEF1500) | C ₂ | 54 | Maximum |
| Lead protrusion | L ₁ | 1.0 | Maximum |
| Protrusion of cut-out | L | 11 | Maximum |
| Protrusion beyond hold-down tape | I ₂ | Not specified | — |
| Sprocket hole pitch | P ₀ | 12.7 | ± 0.3 |
| Device pitch (RGEF250 to RGEF700, RHEF050 to RHEF600) | — | 25.4 | ± 0.61 |
| Device pitch (RGEF800 to RGEF1400, RHEF650 to RHEF1500) | — | 25.4 | ± 0.6 |
| Pitch tolerance | — | 20 consecutive | ± 1 |
| Tape thickness | t | 0.9 | Maximum |
| Overall tape and lead thickness* (RGEF250 to RGEF1100, RHEF050 to RHEF1100) | t ₁ | 2.0 | Maximum |
| Overall tape and lead thickness* (RGEF1200 to RGEF1400, RHEF1300 to RHEF1500) | t ₁ | 2.3 | Maximum |
| Splice sprocket hole alignment | — | 0 | ± 0.3 |
| Body lateral deviation | Δh | 0 | ± 1.0 |
| Body tape plane deviation | Δp | 0 | ± 1.3 |
| Ordinate to adjacent component lead (RGEF250 to RGEF1100, RHEF050 to RHEF900) | P ₁ | 3.81 | ± 0.7 |
| Ordinate to adjacent component lead (RGEF1200 to RGEF1400, RHEF1000 to RHEF1500) | P ₁ | 7.62 | ± 0.7 |
| Lead spacing* (RGEF250 to RGEF1100, RHEF050 to RHEF900) | F | 5.05 | ± 0.75 |
| Lead spacing* (RGEF1200 to RGEF1400, RHEF1000 to RHEF1500) | F | 10.15 | ± 0.75 |
| Reel width (RGEF250 to RGEF600, RHEF050 to RHEF450) | w ₂ | 56.0 | Maximum |
| Reel width* (RGEF700 to RGEF1400 & RHEF550 to RHEF1500) | w ₂ | 63.5 | Maximum |
| Reel diameter | a | 370.0 | Maximum |
| Space between flanges* (RGEF250 to RGEF600, RHEF050 to RHEF450) | w ₁ | 48.0 | Maximum |
| Space between flanges* (RGEF700 to RGEF1400, RHEF550 to RHEF1500) | w ₁ | 55.0 | Maximum |
| Arbor hold diameter | c | 26.0 | ± 12.0 |
| Core diameter* | n | 91.0 | Maximum |
| Box | — | 64/372/362 | Maximum |
| Consecutive missing places | — | None | — |
| Empty places per reel | — | 0.1% | Maximum |

*Differs from EIA specification.

Figure R22 EIA Referenced Taped Component Dimensions for Radial-leaded Devices

Figure R23 EIA Referenced Reel Dimensions for Radial-leaded Devices

Part Numbering System for Radial-leaded Devices
RUEF 250 U 2

Packaging

- Blank = Packaged in bags
- 1 = 25.4mm (1.0 inch) minimum lead length
- 2 = Tape and reel
- AP = Ammo pack
- X.X = Special lead cut length (inch)

Modifier

- K = Standard kinked lead
- B = Special kinked lead
- S = Straight lead
- U = Uncoated device

Hold Current Indicator
Product Series

An "F" at the end of product series indicates Pb-free version of product.

Note: Kinked part is recommended to well control the height of part on the PCB in non-auto PCB application.

**Warning :**

- Users should independently evaluate the suitability of and test each product selected for their own application.
- Operation beyond the maximum ratings or improper use may result in device damage and possible electrical arcing and flame.
- These devices are intended for protection against damage caused by occasional overcurrent or overtemperature fault conditions and should not be used when repeated fault conditions or prolonged trip events are anticipated.
- Contamination of the PPTC material with certain silicone-based oils or some aggressive solvents can adversely impact the performance of the devices.
- Device performance can be impacted negatively if devices are handled in a manner inconsistent with recommended electronic, thermal, and mechanical procedures for electronic components.
- PPTC devices are not recommended for installation in applications where the device is constrained such that its PTC properties are inhibited, for example in rigid potting materials or in rigid housings, which lack adequate clearance to accommodate device expansion.
- Operation in circuits with a large inductance can generate a circuit voltage (Ldi/dt) above the rated voltage of the device.