

**Specification Status: Released**

**Electrical Rating**

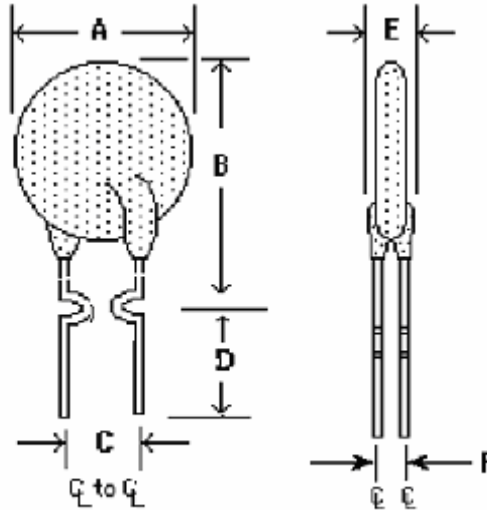
**Voltage: 16V<sub>DC</sub> MAX**  
**Current: 100A MAX**

Insulating Material:  
Cured, Flame Retardant Epoxy Polymer  
meets UL94 V-0 Requirements

Lead Material:  
24 AWG Tin Plated Copper Clad Steel  
(0.51mm[0.020]nom. diameter)

**Part Marking:**

- Manufacturer's Mark and Voltage
- Part Identification
- Lot Identification (can be on back)



**TABLE I. DIMENSIONS:**

	A		B		C		D		E		F
	MIN	MAX	MIN	MAX	MIN	MAX	MIN	MAX	MIN	MAX	TYP
mm:	--	9.4	--	14.4	4.3	5.8	7.6	--	--	3.0	1.2
in*:	--	(0.37)	--	(0.57)	(0.17)	(0.23)	(0.30)	--	--	(0.12)	(0.05)

\*Rounded off approximation

**TABLE II. PERFORMANCE RATINGS:**

CURRENT RATINGS		TIME TO TRIP	INITIAL RESISTANCE VALUES		R <sub>a</sub> MAX	TRIPPED-STATE POWER DISSIPATION
AMPS AT 25°C		SECONDS AT 25°C, 10.0 A	OHMS AT 25°C		OHMS AT 25°C	WATTS AT 25°C 16V
HOLD	TRIP	MAX	MIN	MAX	MAX	TYP
2.0	3.8	4.8	0.039	0.074	0.11	1.4

Reference Documents: PS400, PS300 (reference for R<sub>1</sub> MAX)  
Precedence: This specification takes precedence over documents referenced herein.  
Effectivity: Reference documents shall be the issue in effect on the date of invitation for bid.  
CAUTION: Operation beyond the rated voltage or current may result in rupture, electrical arcing or flame.

**Materials Information**

ROHS Compliant

Directive 2000/53/EC Compliant

ELV Compliant

Directive 2002/95/EC Compliant

Pb-Free





308 Constitution Drive  
Menlo Park, CA 94025-1164  
Phone: 800-227-4856  
Fax: 800-227-4866

**PolySwitch®**  
**PTC Devices**  
Overcurrent Protection Device

*Raychem Circuit Protection Products*

**PRODUCT: AHRF200**

DOCUMENT: SCD 26632  
PCN: RF0204  
REV LETTER: D  
REV DATE: JULY 27, 2007  
PAGE NO.: 2 OF 2

**TABLE III. AUTOMOTIVE SPECIFIC STRESS TESTS AND TEST CONDITIONS:**

ELECTRICAL STRESS TESTS	TEST CONDITIONS (see note 2)
ESD Voltage Withstand (see note 1)	25kV
Short Circuit Fault Current Durability	25 cycles, 16V, 200A
Fault Current Durability	350 cycles, 16V/100A
End-of-life Mode Verification	1750 cycles, 16V/100A
Jump Start Endurance (see note 1)	3 cycles, 26V, 1 minute duration
Load Dump Endurance (see note 1)	10 cycles, 86.5V

Note 1: The PolySwitch devices are tested in series with a load resistance and the voltages specified in the test conditions are shared between the PolySwitch device and the load resistance as specified in PS400.

Note 2: Please refer to Appendix A of PS400 for the detailed test procedures.