

Surface Mount Fuse Slow Blow

Raychem Circuit Protection Products

PRODUCT: 1206SFS Family

DOCUMENT:SCD 27596
REV LETTER: A
REV DATE: FEBRUARY 19, 2009
PAGE NO.: 1 OF 3

Specification Status: Released

Max Electrical Rating at 25°C

Max Voltage: 1A-2A 63V_{DC}, 2.5A-5A 32V_{DC}, 5.5A-8A 24V_{DC}

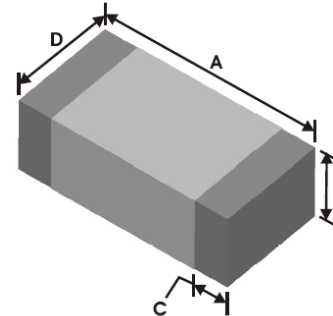
Max Interrupt Current at Rated Voltage:

50A for 1A-5.5A ,60A for 6A-8A

Termination Material: Silver, Nickel, Tin

Fuse Element: Silver

Body Material: Glass Ceramic



Clear Time Characteristics

% of current rating	Clear time at 25°C	
	Min.	Max.
100%	4 hours	
200%	1 sec	120 sec
300%	0.1 sec	3 sec
800%(1.0A-1.5A)	0.0016sec	0.05 sec
800%(2.0A-8.0A)	0.002 sec	0.05 sec

Dimensions

	A		B		C		D	
	MIN	MAX	MIN	MAX	MIN	MAX	MIN	MAX
mm:	3.00	3.40	0.77	1.17	0.26	0.76	1.40	1.80
in:	0.118	0.134	0.030	0.046	0.010	0.030	0.055	0.071

Part Number	Current Rating (A)	Voltage Rating (VDC)	Nominal Cold DCR (Ω)*
1206SFS100F/63	1.0	63	0.360
1206SFS125F/63	1.25	63	0.200
1206SFS150F/63	1.5	63	0.150
1206SFS200F/63	2.0	63	0.082
1206SFS250F/32	2.5	32	0.070
1206SFS300F/32	3.0	32	0.032
1206SFS350F/32	3.5	32	0.028
1206SFS400F/32	4.0	32	0.024
1206SFS450F/32	4.5	32	0.020
1206SFS500F/32	5.0	32	0.016
1206SFS550F/24	5.5	24	0.014
1206SFS600F/24	6.0	24	0.011
1206SFS700F/24	7.0	24	0.010
1206SFS800F/24	8.0	24	0.009

* Measured at 10% of rated current and 25°C

Agency Recognition: UL E197536
Precedence: This specification takes precedence over documents referenced herein.
Affectivity: Reference documents shall be the issue in effect on the date of invitation for bid.

Materials Information

ROHS Compliant

Directive 2002/95/EC
Compliant

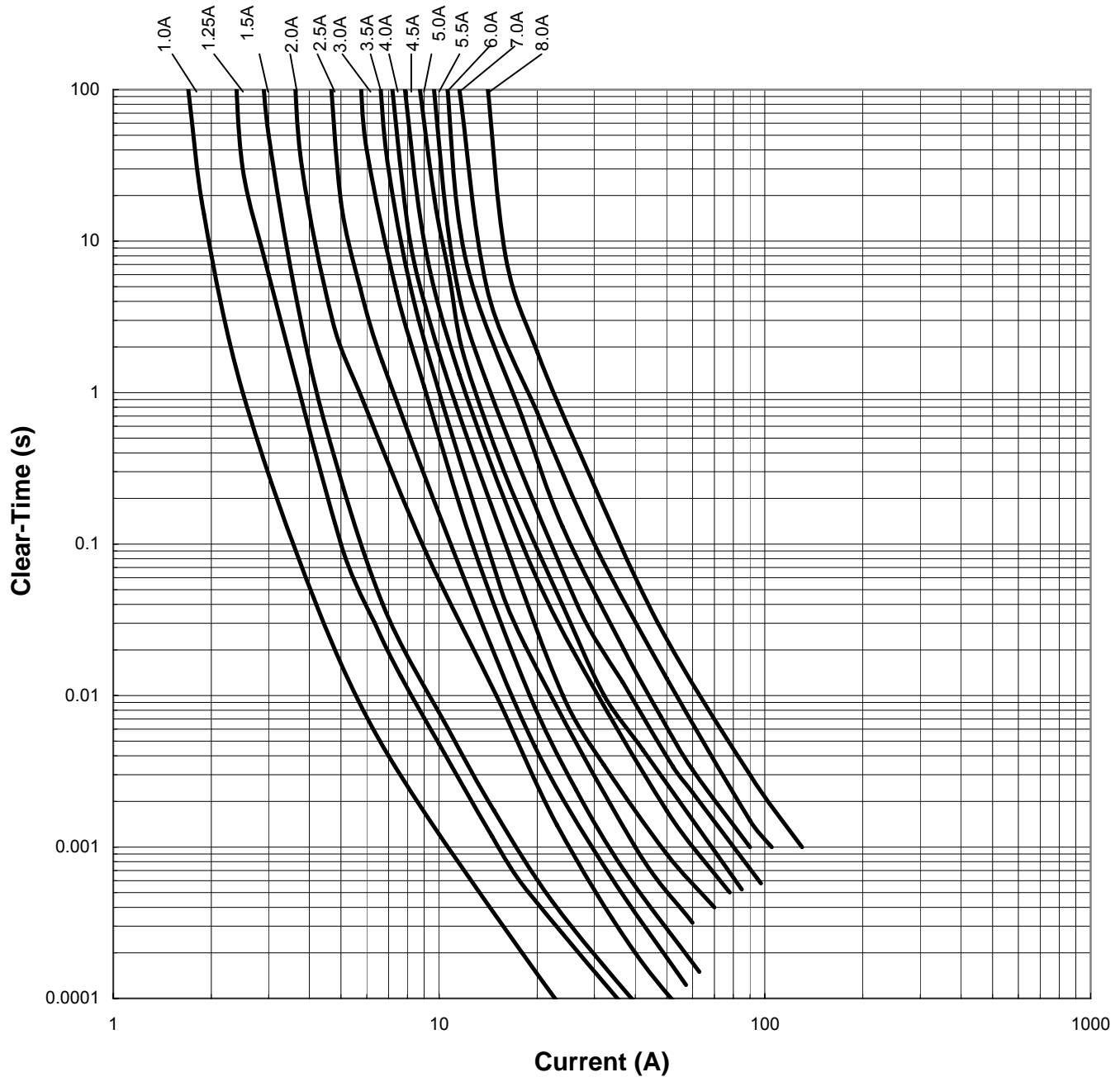
ELV Compliant

Directive 2000/53/EC
Compliant

Surface Mount Fuse Slow Blow

Raychem Circuit Protection Products

Average Clear-Time Curves



Surface Mount Fuse Slow Blow

Raychem Circuit Protection Products

Nominal $I^2 t$ vs t Curves

