

MICON 5, round plunger 14.5 mm, GH 9.7 mm



fields of application

- > Measurement-control-regulation
- > Mechanical and system engineering
- > Automotive
- > Signalling systems
- > Vehicle construction
- > Handheld terminals

description

The wide selection of standard plungers in different shapes and colors guarantees a versatile range of applications for the MICON 5 tactile switch.

technical data

> general

| | |
|--------------------|------------|
| Color | weiß |
| Collar shape | round |
| illuminated | No |
| Packaging unit | 500 pcs. |
| net weight | 0.3 g |
| MOQ order | 500 pcs. |
| RoHS compliant | Yes |
| REACH compliant | Yes |
| Component material | Kunststoff |

direct links

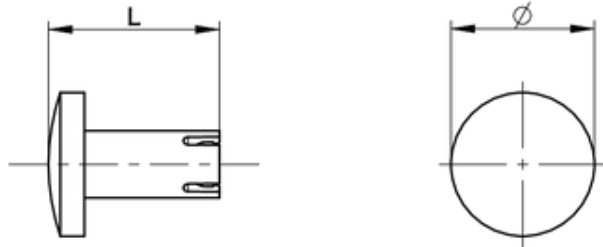
- > [RAFI eCatalog](#)

> mounting diameters

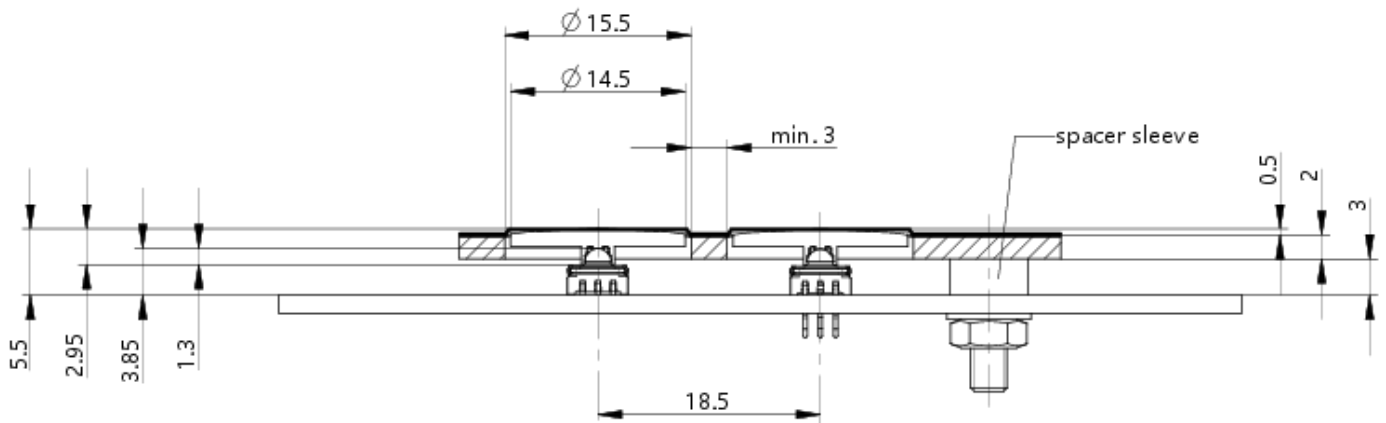
| | |
|---------------------------|---------------------------|
| Outside dimension, length | 7.15 mm |
| Outside dimension, width | 14.5 mm |
| Outside dimension, height | 14.5 mm |
| Plunger length L | 7.15 mm |
| Support height A | 2.55 (SMT) / 2.5 (THT) mm |
| Total height GH | 9.7 mm |

drawings

Dimensioned drawing

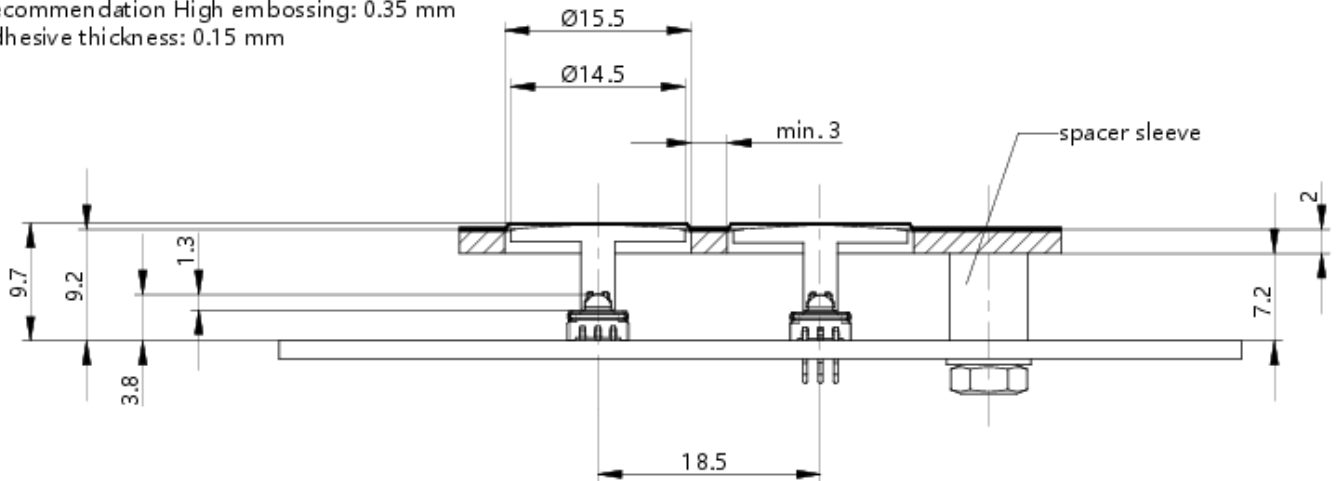


System drawing



System drawing

Recommendation High embossing: 0.35 mm
Adhesive thickness: 0.15 mm



System drawing

suggestion
high embossing: 0.35 mm
adhesive thickness: 0.15

