

DWM1004C: TDoA TAG QUICK START GUIDE

Version 1.0

**This document is subject to change without
notice.**

DOCUMENT INFORMATION

Disclaimer

Decawave reserves the right to change product specifications without notice. As far as possible changes to functionality and specifications will be issued in product specific errata sheets or in new versions of this document. Customers are advised to check the Decawave website for the most recent updates on this product

Copyright © 2015 Decawave Ltd

LIFE SUPPORT POLICY

Decawave products are not authorized for use in safety-critical applications (such as life support) where a failure of the Decawave product would reasonably be expected to cause severe personal injury or death. Decawave customers using or selling Decawave products in such a manner do so entirely at their own risk and agree to fully indemnify Decawave and its representatives against any damages arising out of the use of Decawave products in such safety-critical applications.



Caution! ESD sensitive device.

Precaution should be used when handling the device in order to prevent permanent damage

1 TABLE OF CONTENTS

1	OVERVIEW	5
2	STARTING THE DWM1004C MODULE	6
3	APPENDIX A – TRANSLATION BOARD SCHEMATICS	7
4	REFERENCES	8
4.1	LISTING	8
5	DOCUMENT HISTORY	9
6	FURTHER INFORMATION	10

List of Figures

Figure 1 DWM1004C module	5
Figure 2 Translation Board Schematics	7

List of Tables

Table 1: Table of References	8
Table 2 Document History	9

1 OVERVIEW

This quick start guide provides details how to start using DWM1004 module as a TDoA Tag, how to start debugging and to restore the module to a default programmed state.

The DWM1004C is mounted on a DWM1001-DEV board which provides all the needed hardware to power, program and debug the DWM1004C module. For further information please go to the DWM1001-DEV board web page: <https://www.decawave.com/product/dwm1001-development-board/>

To convert the DWM1004C formfactor and pinout we are using the simple translation board (see the translation board schematics in **Appendix A**).

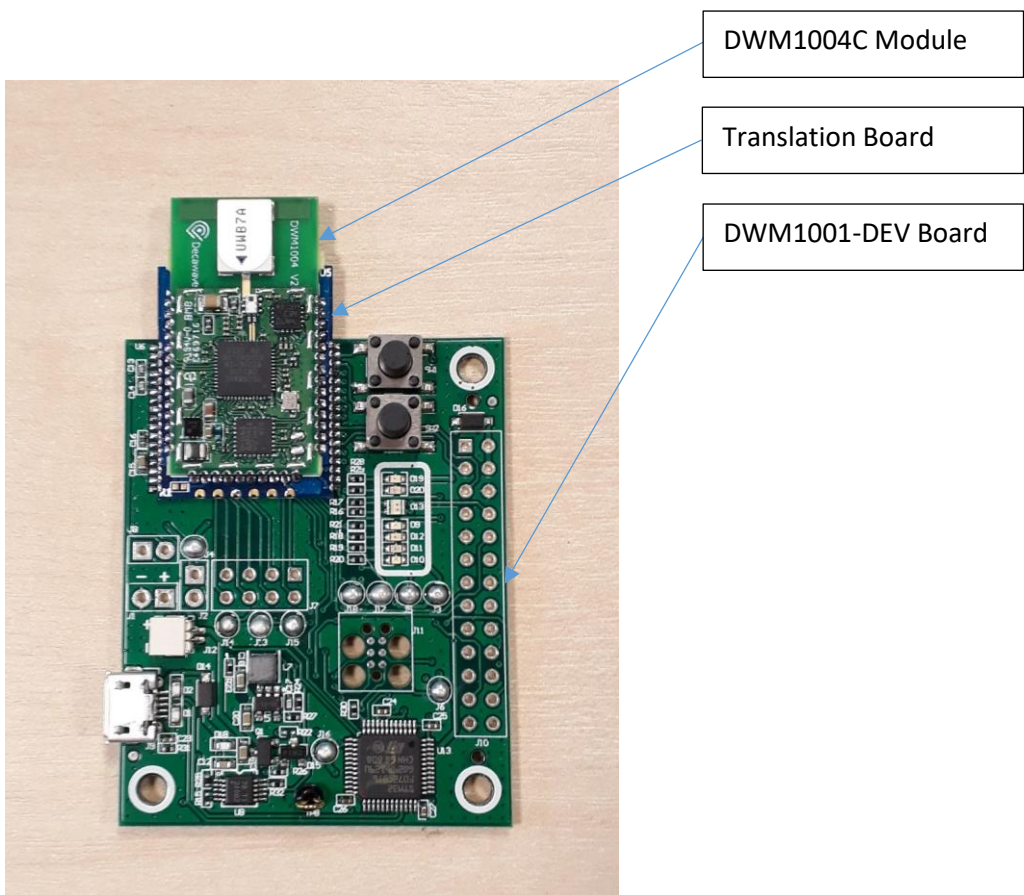


Figure 1 DWM1004C module

2 STARTING THE DWM1004C MODULE

The module is programmed with the firmware fully compatible with TTK1000 TDoA kit. It is a direct replacement for the DWM1001 TDoA Tag, for further references please see the **DWM1004C TDoA Tag Software Guide** documents and documents coming along with the TTK1000 kit.

In order to return DWM100C module back to the default programmed state use the provided hex file (see *\Source\Release\DWM1004-TDoA-Tag.hex*) and any J-Link compatible programming software, for example J-Flash Lite.

3 APPENDIX A – TRANSLATION BOARD SCHEMATICS

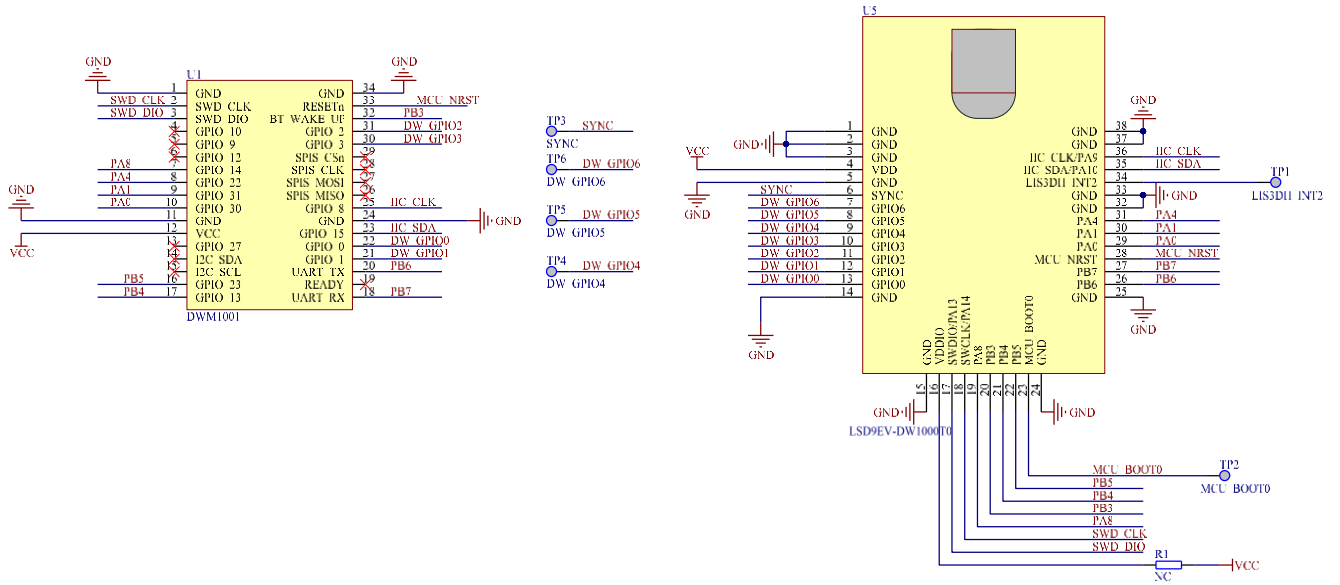


Figure 2 Translation Board Schematics

4 REFERENCES

4.1 LISTING

References are made to the following documents in the course of this document:

Table 1: Table of References

Ref	Author	Date	Version	Title
[1]	N/A	N/A	1.0	DWM1004C TDoA Tag Software Guide

5 DOCUMENT HISTORY

Table 2 Document History

Revision	Date	Description
1.00	01-APR-2019	First release

6 FURTHER INFORMATION

Decawave develops semiconductors solutions, software, modules, reference designs - that enable real-time, ultra-accurate, ultra-reliable local area micro-location services. Decawave's technology enables an entirely new class of easy to implement, highly secure, intelligent location functionality and services for IoT and smart consumer products and applications.

For further information on this or any other Decawave product, please refer to our website www.decawave.com.