

6

5

4

3

2

1

MATERIAL AND FINISH

Insulator: PBT, UL-94V-0 rated, color (see ordering code)
 Shell: Brass, Nickel plated
 Contacts: Phosphor Bronze, Gold (see chart) on mating end, Tin on termination end all over Nickel plated

MECHANICAL SPECIFICATIONS:

Durability: 1500 cycles at 15 to 20 cycles per minute
 Insertion force: 35 N max.
 Withdrawal force: 10 N max.

ELECTRICAL SPECIFICATIONS:

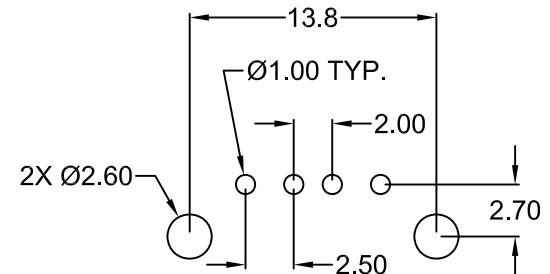
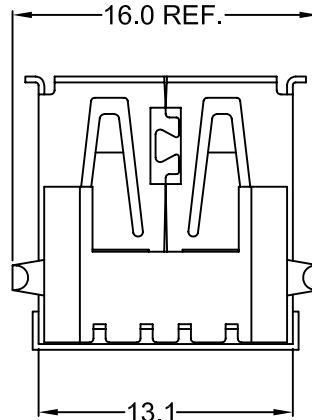
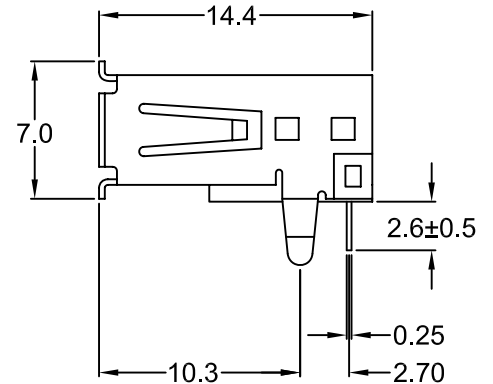
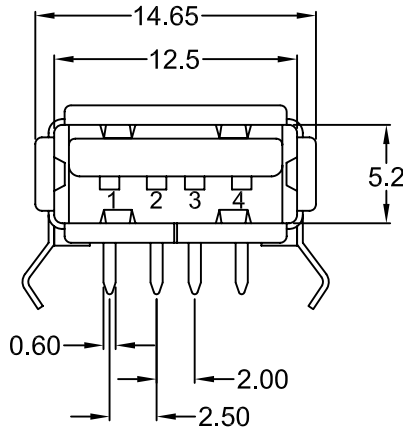
Rated current: 1 A max.
 Rated voltage: 250 VAC max.
 Insulation resistance: 100 Mohm min. at 500 VDC
 Dielectric withstanding voltage: 250 VAC for one minute
 Contact resistance: 30 mohm max.
 Contact capacitance: 2 pF max.

ENVIRONMENTAL:

Operating temperature: -40°C to +85°C

SOLDERABILITY:

Solder time: 5 sec.±0.5 sec.
 Solder temp: 245°C±5°C



RECOMMENDED PCB LAYOUT (TOP VIEW)

ORDERING CODE:
 USB-FA1RP 1 2

- 1) INSULATOR COLOR
 - 1 = BEIGE
 - 2 = BLACK
 - 3 = WHITE
- 2) PLATING
SEE CHART

RoHS
COMPLIANT

P/N	PLATING
USB-FA1RPX1	GOLD FLASH
USB-FA1RPX2	10µ"
USB-FA1RPX3	15µ"
USB-FA1RPX4	30µ"

TOLERANCE UNLESS OTHERWISE SPECIFIED	
X	± 1
X.X	± 0.4
X.XX	± 0.20

DRAWN BY	GQ	DATE:	06/21/02
CHECK BY	TD	DATE:	07/02/02
APPR BY	PB	DATE:	07/02/02

Power Dynamics, Inc.
 Phone: 973 560-0019 Whippany, New Jersey Fax: 973 560-0076
 PART: USB CONNECTOR, 'A' TYPE, FEMALE 90°, 1 PORT, PCB PINS

PART #: USB-FA1RPXX		SHEET 1 of 1
SIZE: A	ALL DIMENSIONS FOR REFERENCE ONLY DIMENSIONS ARE IN MILLIMETERS	REV: A
SCALE: NTS		

REVISIONS	CHNG	CHK	APPR
	CHANGE		PB
	DATE	CONTACT TERM. END WAS TIN LEAD SHELL WAS TIN PLATED. ADD PHS	
	2/25/05		
REV	A		

6

5

4

3

2

1