

6

5

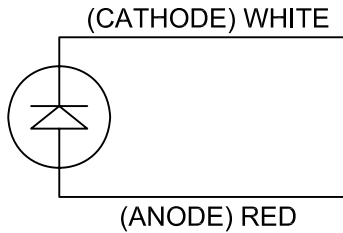
4

3

2

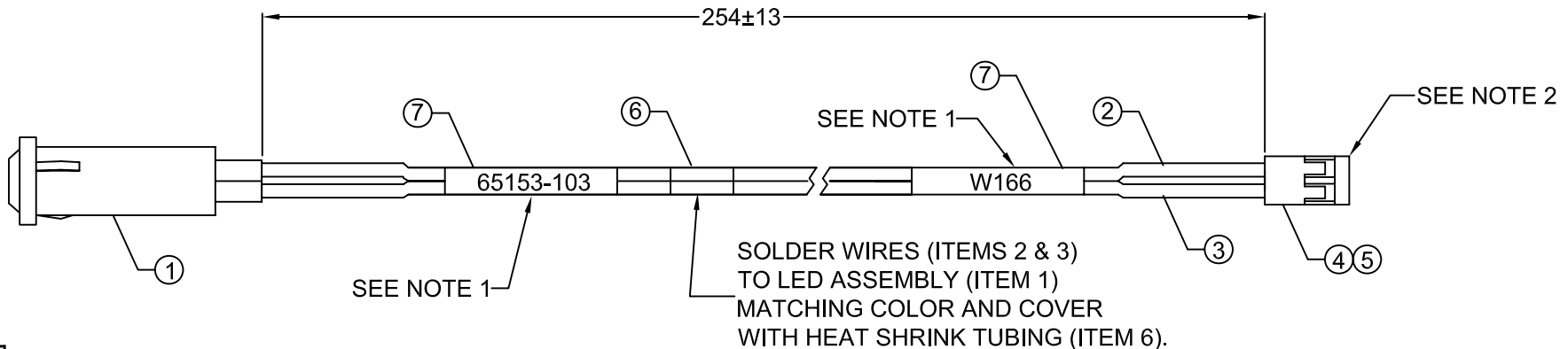
1

ITEMS	QTY	MANUFACTURE	P/N	DESCRIPTION
1	1	CHICAGO MINIATURE LAMP	3990A5	LED; GREEN; WITH 4.4/4.8" 24 AWG WIRE LEADS
2	1	BELDEN OR EQUIV.	-	WIRE; UL STYLE 1061; 26 AWG; 1.00 O.D.; COLOR RED
3	1	BELDEN OR EQUIV.	-	WIRE; UL STYLE 1061; 26 AWG; 1.00 O.D. COLOR WHITE
4	2	PDI	TCT-REEL-20	CRIMP TERMINAL
5	1	PDI	TCT-002-20	2 POSITION HOUSING
6	2	-	-	HEAT SHRINK TUBING; UL APPROVED; VW-1; COLOR BLACK
7	2	-	-	LABEL; UL969 COMPLIANT



NOTES:

1. MARK LABELS USING 0.05" MIN. HIGH CHARACTERS WITH CONTRASTING PERMANENT INK PER UL969.
2. EITHER WIRE MAY CONNECT TO EITHER HOUSING POSITION.
3. PACKAGING: BULK PACKED. LABEL BAG WITH "402500041 REV. A"



SOLDER WIRES (ITEMS 2 & 3)  
TO LED ASSEMBLY (ITEM 1)  
MATCHING COLOR AND COVER  
WITH HEAT SHRINK TUBING (ITEM 6).

REV	DATE	CHANGE	CHNG		CHK		APPR	
			PB	TD	PB	TD	PB	TD
A	4/12/04	CHNG. RIGHT LABEL TO W166	PB		PB		PB	
B	5/6/04	CHNG WIRE TO UL-1061, 26AWG	PB		PB		PB	
C	5/19/04	REV. PER CUST. 402500041 REV.003	PB		PB		PB	
D	7/9/04	CHNG. NOTE 3	PB		PB		PB	

TOLERANCE UNLESS OTHERWISE SPECIFIED	
X	± 1
X.X	± 0.4
X.XX	± 0.20

DRAWN BY	PB	DATE:	3/4/04
CHECK BY	TD	DATE:	3/4/04
APPR BY	PB	DATE:	3/4/04

**Power Dynamics, Inc.**  
Phone: 973 560-0019 Whippany, New Jersey Fax: 973 560-0076

PART: CABLE ASSEMBLY; 254mm LONG  
LED INDICATOR TO 2 POS. CONNECTOR

**SW1786**

PART #: SW1786

SIZE: A  
SCALE: NTS

ALL DIMENSIONS FOR REFERENCE ONLY  
DIMENSIONS ARE IN MILLIMETERS

SHEET 1 of 1  
REV: D

6

5

4

3

2

1