

6

5

4

3

2

1

MATERIAL AND FINISH

Insulator: Standard material glass filled Polyester, UL 94V-0 rated, color black.

Pin contact: 0.35 mm thickness Phosphor Bronze, Gold plating (see chart) over Nickel in contact area, Tin plating over Nickel in solder area.

MECHANICAL SPECIFICATIONS:

Durability: 1000 mating cycles

ELECTRICAL SPECIFICATIONS:

Rated voltage/current: 30VAC/42VDC @ 1.5A

Insulation resistance: 500 Mohm min.

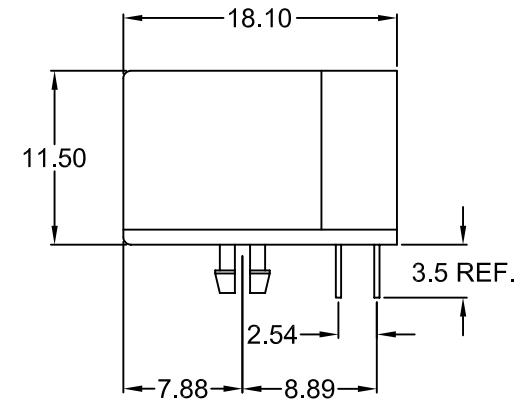
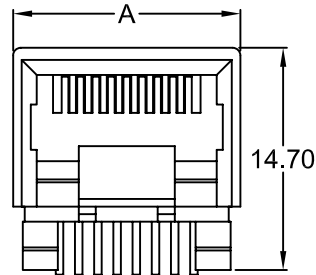
Dielectric withstanding voltage: 1000VAC rms min., 60 Hz

Contact resistance: 40 mohm max

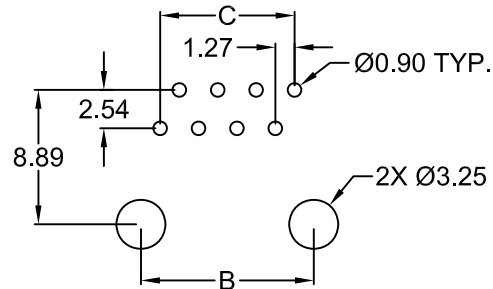
NOTES:

Replace XPXC in P/N with number of position and contact.

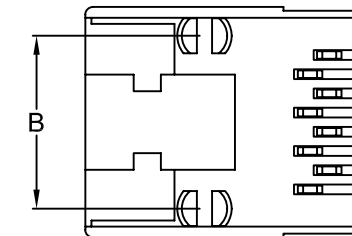
No. of Positions	Dimensions		
	A	B	C
4	11.21	7.62	3.81
6	12.96	10.16	6.35
8	15.03	11.43	8.89



**RoHS
COMPLIANT**



RECOMMENDED
PCB LAYOUT (TOP VIEW)



REVISIONS	CHNG	CHK	APPR
REV	DATE	CHANGE	

P/N	PLATING
PHJ-XPXC-1-6	6 μ" OF GOLD
PHJ-XPXC-1-6-2	15 μ" OF GOLD
PHJ-XPXC-1-6-4	30 μ" OF GOLD
PHJ-XPXC-1-6-5	50 μ" OF GOLD

TOLERANCE
UNLESS OTHERWISE SPECIFIED
X ± 1
X.X ± 0.4
X.XX ± 0.20

DRAWN BY	DT	DATE:	7/11/02
CHECK BY	PB	DATE:	7/16/02
APPR BY		DATE:	

Power Dynamics, Inc.

Phone: 973 560-0019 Whippany, New Jersey Fax: 973 560-0076

PART: 4~8 POSITION; SIDE ENTRY;
MODULAR JACK; PCB MOUNT

PART #: **PHJ-XPXC-1-6-X**

SHEET
1 of 1

SIZE: A
SCALE: NTS

ALL DIMENSIONS FOR REFERENCE ONLY
DIMENSIONS ARE IN MILLIMETERS

REV:

6

5

4

3

2

1