

MATERIAL AND FINISH

Housing: Glass filled Polyester, UL-94V-0 rated
 Contacts: Ø0.46mm Phosphor Bronze, Gold plated (see chart) over Nickel

P/N	A	B	C	D
PHJ-4PXC-1-V-X	11.43	14.0	7.62	3.81
PHJ-6PXC-1-V-X	13.4	16.0	10.16	6.35
PHJ-8PXC-1-V-X	15.4	18.7	11.43	8.89

MECHANICAL SPECIFICATIONS:

Insertion force: 2.27 kg max.
 Durability: 750 cycles

ELECTRICAL SPECIFICATIONS:

Rated current & voltage: 1.5A, 125VAC rms
 Contact resistance: 30 mohms max.
 Insulation resistance: 1000 Mohm min. at 500VDC
 Dielectric withstanding voltage: 1000VAC rms at 60Hz for one minute

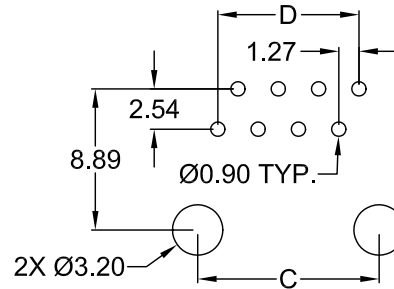
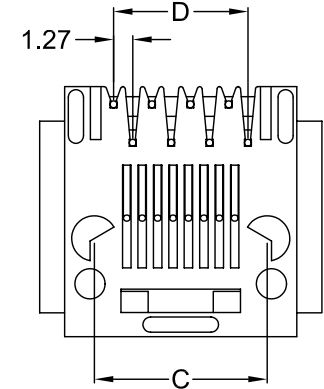
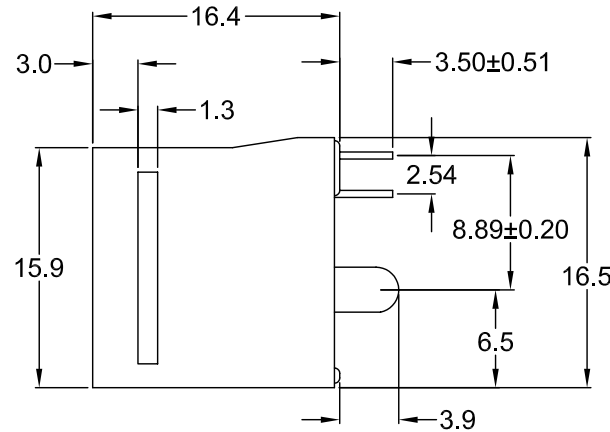
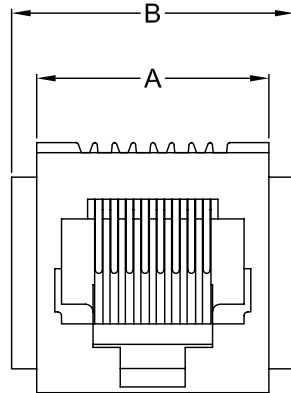
SOLDERABILITY:

Solder temperature: 245°C±5°C
 Soder time: 3~5 seconds

ENVIRONMENTAL:

Operating temperature: 0°C TO +70°C

Conforms to FCC rules and regulations Part 68, Subpart F



REV	DATE	CHANGE	CHNG		CHK		APPR	
			REV'D	& UPDATED	DWG	TD	PB	PB
A	6/25/02	REV'D & UPDATED						
B	12/14/04	CONTACT PLATING WAS SELECTIVE						

P/N	PLATING
PHJ-XPXC-1-V	6 µ" OF GOLD
PHJ-XPXC-1-V-2	15 µ" OF GOLD
PHJ-XPXC-1-V-4	30 µ" OF GOLD
PHJ-XPXC-1-V-5	50 µ" OF GOLD

TOLERANCE UNLESS OTHERWISE SPECIFIED	
X	± 1
X.X	± 0.4
X.XX	± 0.20

DRAWN BY	BP	DATE:	5/10/00
CHECK BY	JJ	DATE:	5/11/00
APPR BY	TD	DATE:	5/11/00

Power Dynamics, Inc.
 Phone: 973 560-0019 Whippany, New Jersey Fax: 973 560-0076

PART: TOP ENTRY XPXC; MODULAR TEL. JACK, PCB MOUNT

PART #: **PHJ-XPXC-1-V-X** SHEET 1 of 1

SIZE: A ALL DIMENSIONS FOR REFERENCE ONLY DIMENSIONS ARE IN MILLIMETERS REV: B

SCALE: NTS