

6

5

4

3

2

1

MATERIAL AND FINISH

Insulator: PBT & 30% glass fiber, UL 94V-0 rated, color black.

Shell: Steel, Tin plated.

Pin contact: Brass, Gold plating (see chart) over base Nickel in contact area, Tin on tails.

MECHANICAL SPECIFICATIONS:

Operating temperature: -55°C to +105°C

Solder temperature: 235°C

Solder time: 3~5 sec

ELECTRICAL SPECIFICATIONS:

Rated current: 2A

Rated voltage: 250VDC

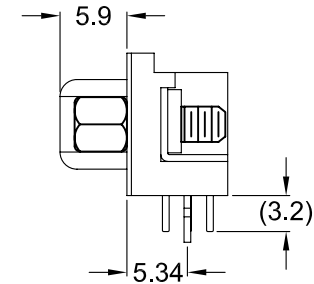
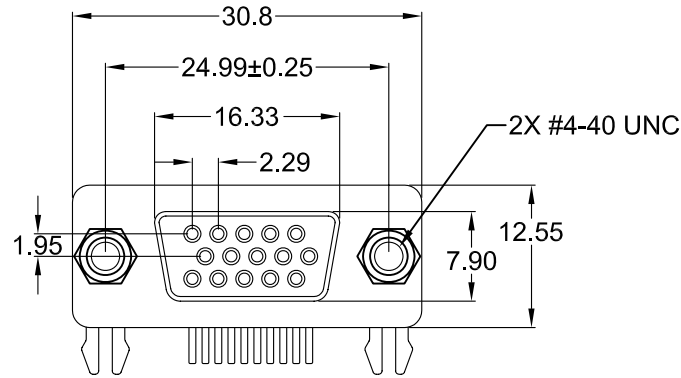
Insulation resistance: 1000 Mohm min @ 500VDC

Dielectric withstanding voltage: 1000VAC / 1 MIN.

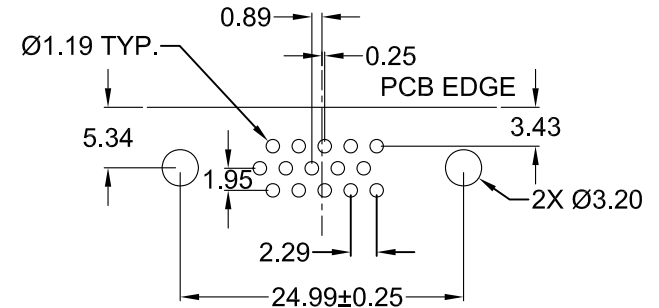
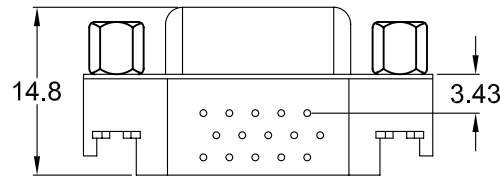
Contact resistance: 15 mohm max.

ENVIRONMENTAL:

Operating temperature: -55°C ~ 105°C



**RoHS
COMPLIANT**



REV	DATE	CHANGE	CHNG	CHK	APPR

P/N	PLATING
PDI-15RH-5-R	SEL. GOLD FLASH
PDI-15RH-5-RG10	10µ"
PDI-15RH-5-RG15	15µ"
PDI-15RH-5-RG30	30µ"

TOLERANCE UNLESS OTHERWISE SPECIFIED	
X	± 1
X.X	± 0.4
X.XX	± 0.20
DRAWN BY	DT
CHECK BY	
APPR BY	
DATE:	2/5/02
DATE:	
DATE:	

Power Dynamics, Inc.
 Phone: 973 560-0019 Whippany, New Jersey Fax: 973 560-0076

PART: 15 POS. HI-DENSITY D-SUB, RECEPTACLE
 PCB MOUNT; 5.0mm FOOTPRINT W/ J'SCREW

PDI-15RH-5-RX SHEET 1 of 1

SCALE: NTS ALL DIMENSIONS FOR REFERENCE ONLY
 DIMENSIONS ARE IN MILLIMETERS

6

5

4

3

2

1