

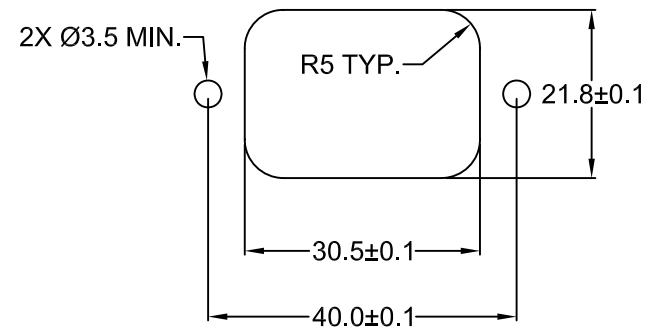
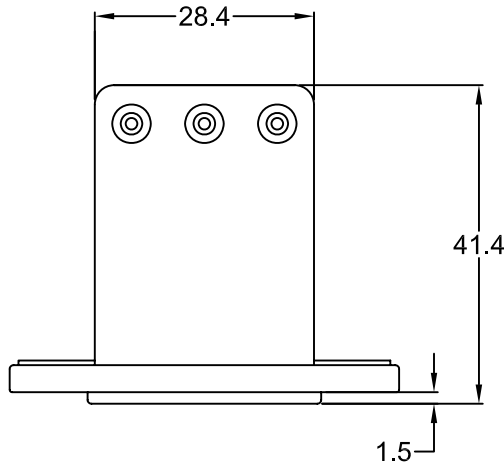
ELECTRICAL SPECIFICATIONS:

Current rating: 15A rms max.
 Voltage rating: 115/250 VAC 50/60 Hz
 Operating frequency: 50/60 Hz
 Leakage current: 0.25mA max. at 115 VAC 60 Hz
 0.45mA max. at 250 VAC 50 Hz
 each line to ground
 Hipot rating: (for one minute)
 Line to line: 1450VDC
 Line to ground: 2250VDC

ENVIRONMENTAL:

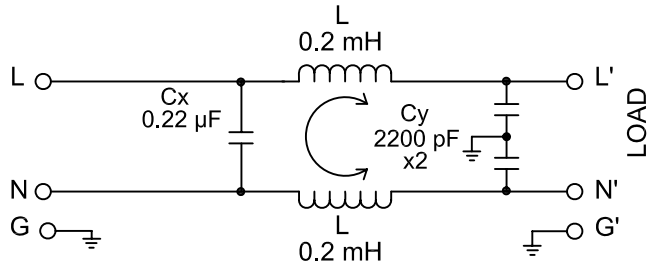
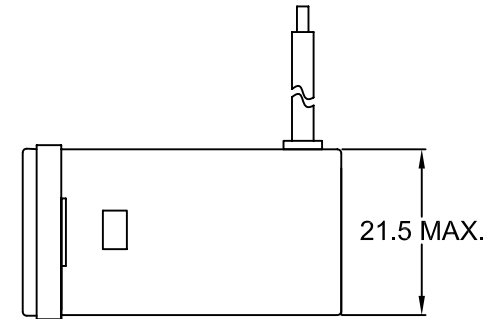
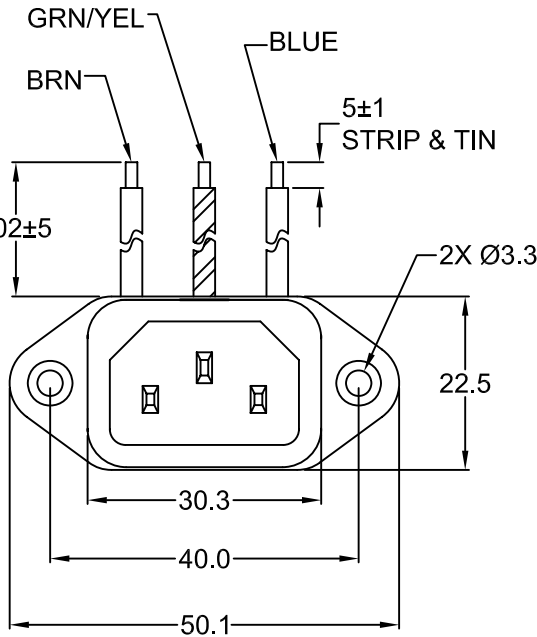
Temperature range: -25°C to +85°C

APPROVALS:



SUGGESTED PANEL CUTOUT (MOUNTING FROM REAR)

RoHS COMPLIANT



SCHEMATIC

REV	DATE	CHANGE	REVISIONS	
			CHNG	CHK
A	3/23/12	REV. CASE STYLE-PANEL CUTOUT	PB	

MINIMUM INSERTION LOSS IN 50 Ohm SYSTEM						
MHz	0.15	0.5	1.0	5.0	10.0	30.0
COM. MODE (L-G)	9	19	24	38	45	37
DIFF. MODE (L-L)	15	26	33	34	44	30

TOLERANCE UNLESS OTHERWISE SPECIFIED	
0 ~ 10 ± 0.3	
10 ~ 100 ± 0.5	
100 ~ 150 ± 0.8	
150 ~ 250 ± 1.0	
DRAWN BY: PB	DATE: 3/16/12
CHECK BY:	DATE:
APPR BY:	DATE:

Power Dynamics, Inc.

Phone: 973 560-0019 Whippany, New Jersey Fax: 973 560-0076

PART: FILTERED POWER ENTRY MODULE; 15 AMP
IEC 60320 C13 INLET; R/A; WITH WIRE LEADS

PART #: PA15W-00-1J		SHEET 1 of 1
SIZE: A	ALL DIMENSIONS FOR REFERENCE ONLY DIMENSIONS ARE IN MILLIMETERS	
SCALE: NTS	REV: A	