

6

5

4

3

2

1

**MATERIAL AND FINISH**

Body & Cover: PBT, UL 94V-0 rated, color black

Shield: Steel, Tin plated

Contacts: Phosphor bronze, Silver plated

Earth terminal: Brass, Tin plated

**MECHANICAL SPECIFICATIONS**

Insertion force: 4.5 Kg max.

Extraction force: 0.8-3.5 Kg

**ELECTRICAL SPECIFICATIONS**

Rated current: 1A @ 100VAC

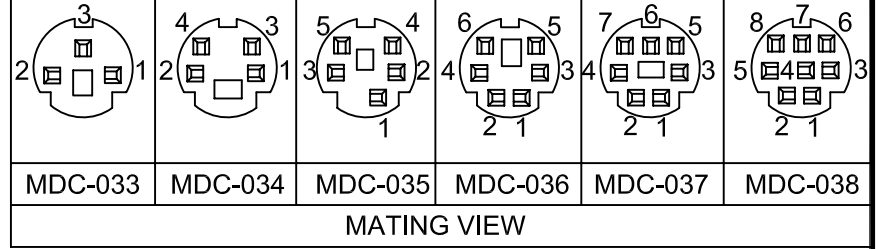
2A @ 12VDC

Insulation resistance: 50 Mohm min. at 250VDC

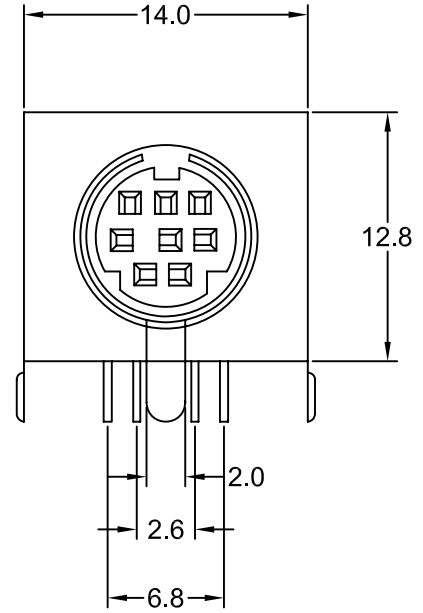
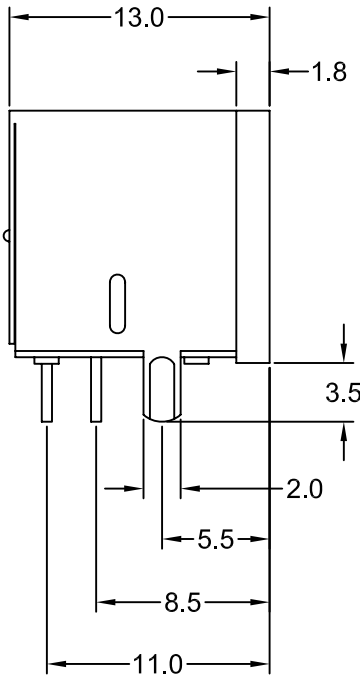
Dielectric withstanding voltage: 250VAC for 1 minute

Contact resistance: 30 mohm max.

RoHS  
COMPLIANT



MATING VIEW



REV	DATE	5/3/07	CHNG	CHECK	APPR
	A		ADD RoHS	PB	

REVISIONS

TOLERANCE UNLESS OTHERWISE SPECIFIED		
X	±	1
X.X	±	0.4
X.XX	±	0.13
DRAWN BY	DF	DATE: 6/17/05
CHECK BY	PB	DATE: 6/17/05
APPR BY	PB	DATE: 6/17/05

**Power Dynamics, Inc.**

Phone: 973 560-0019 Whippany, New Jersey Fax: 973 560-0076

PART: SHIELDED MINI DIN SOCKET  
PCB MOUNT, 3 TO 8 PINS

PART #: MDC-03X		SHEET 1 of 2
SIZE: A	ALL DIMENSIONS FOR REFERENCE ONLY DIMENSIONS ARE IN MILLIMETERS	REV: A
SCALE: NTS		

6

5

4

3

2

1