

6

5

4

3

2

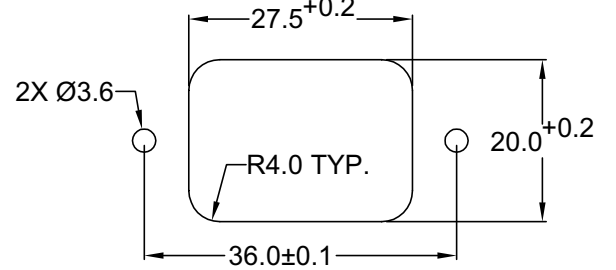
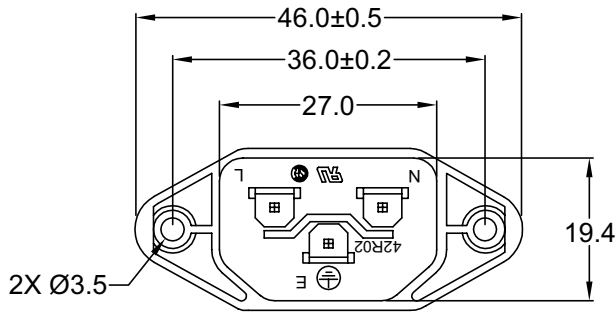
1

MATERIAL AND FINISH

Insulator: Polycarbonate, UL-94V-0 rated
Contacts: Brass, Nickel plated

ELECTRICAL SPECIFICATIONS:

Current rating: 10 A
Voltage rating: 250 VAC
Current rating: 15 A
Voltage rating: 250 VAC



RECOMMENDED
PANEL CUTOUT

ORDERING CODE:

42R02-1 1 2 3

1 = TERMINAL OPTIONS

- 1 = .187(4.8)
- 2 = .250(6.3)

2 = COLOR

- 1 = BLACK
- 2 = GRAY

3 = ELECTRICAL CIRCUIT
CONFIGURATION

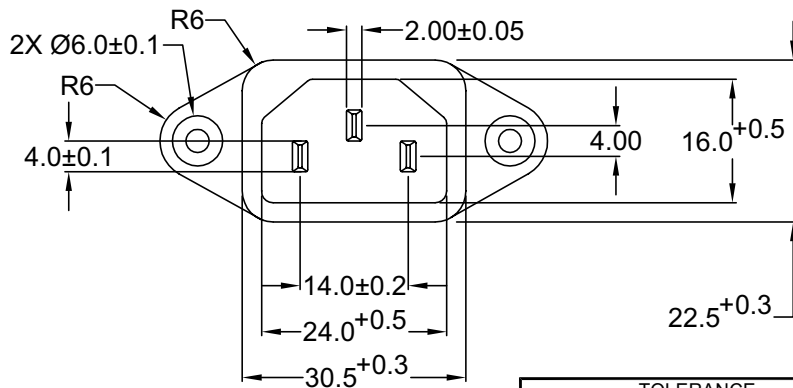
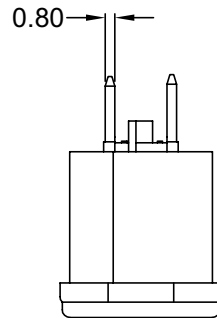
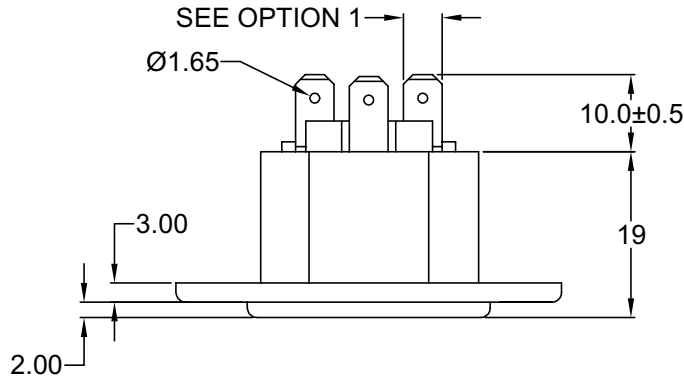
1 = 15A 250V 120°C
2+GROUND



2 = 15A 250V 70°C
2+GROUND



4 = 15A 250V 70°C
2 POLE



TOLERANCE UNLESS OTHERWISE SPECIFIED			
X	± 1		
X.X	± 0.4		
X.XX	± 0.20		
DRAWN BY	GQ	DATE:	8/3/01
CHECK BY	TD	DATE:	8/13/01
APPR BY	PB	DATE:	8/13/01

Power Dynamics, Inc.

Phone: 973 560-0019 Whippany, New Jersey Fax: 973 560-0070

PART: IEC 60320 C14 APPL. INLET; QUICK CONNECT
TERMINALS; SIDE FLANGED, PANEL MOUNT

42R02-1XXX SHEET 1 of 1

SIZE: A ALL DIMENSIONS FOR REFERENCE ONLY
SCALE: NTS DIMENSIONS ARE IN MILLIMETERS REV:

D

C

B

A

REVISIONS	CHNG	CHECK	APPR
REV	DATE	CHANGE	

6

5

4

3

2

1

6

5

4

3

2

1

MATERIAL AND FINISH

Insulator: Polycarbonate, UL-94V-0 rated
Contacts: Brass, Nickel plated

ELECTRICAL SPECIFICATIONS:

Current rating: 10 A
Voltage rating: 250 VAC
Current rating: 15 A
Voltage rating: 250 VAC

ORDERING CODE:

42R02-2
 1 2 3



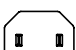
1 = TERMINAL OPTIONS

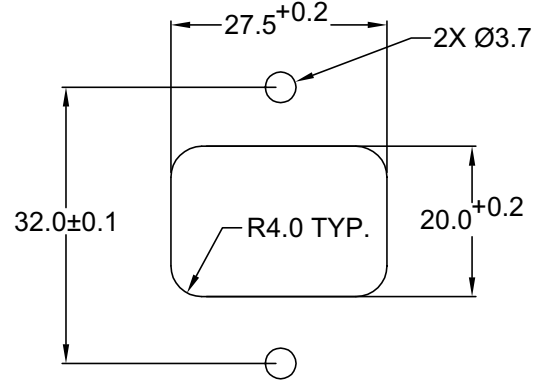
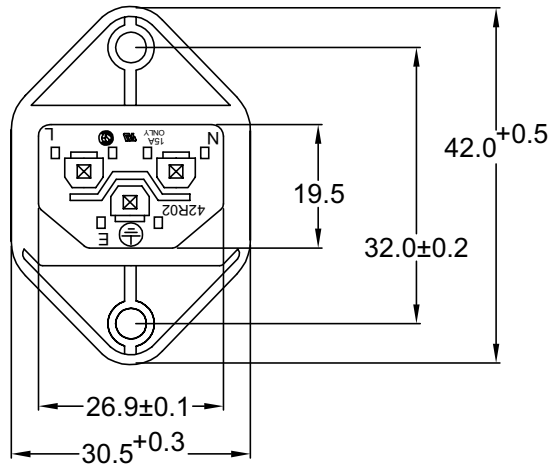
- 1 = .187(4.8)
- 2 = .250(6.3)

2 = COLOR

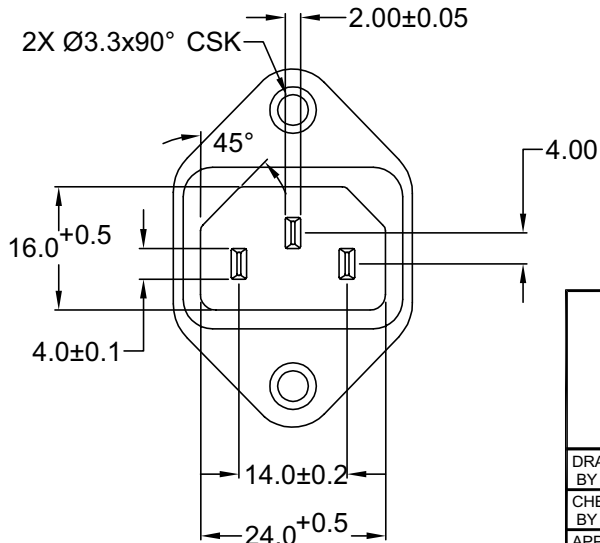
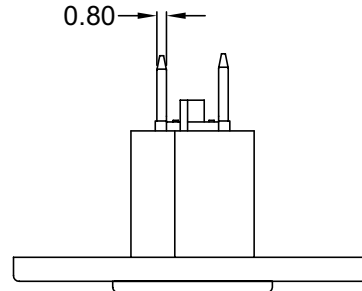
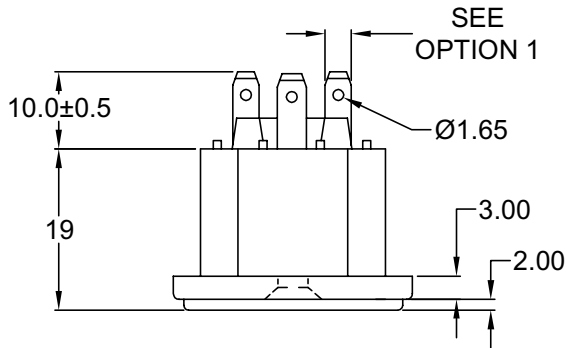
- 1 = BLACK
- 2 = GRAY

3 = ELECTRICAL CIRCUIT CONFIGURATION

- 1 = 15A 250V 120°C 2+GROUND 
- 2 = 15A 250V 70°C 2+GROUND 
- 4 = 15A 250V 70°C 2 POLE 



RECOMMENDED
PANEL CUTOUT



TOLERANCE UNLESS OTHERWISE SPECIFIED		
X	±	1
X.X	±	0.4
X.XX	±	0.20
DRAWN BY	GQ	DATE: 8/3/01
CHECK BY	TD	DATE: 8/13/01
APPR BY	PB	DATE: 8/13/01

Power Dynamics, Inc.
Phone: 973 560-0019 Whippany, New Jersey Fax: 973 560-0076

PART: IEC 60320 C14 APPL. INLET; QUICK CONNECT
TERMINALS; CROSS FLANGE

42R02-2XXX

SIZE: A SCALE: NTS

ALL DIMENSIONS FOR REFERENCE ONLY
DIMENSIONS ARE IN MILLIMETERS

SHEET 1 of 1
REV:

D

C

B

A

REV	DATE	CHNG	CHECK	APPR

6

5

4

3




2

1

MATERIAL AND FINISH

Insulator: Polycarbonate, UL-94V-0 rated
 Contacts: Brass, Nickel plated

ELECTRICAL SPECIFICATIONS:

Current rating: 10 A
 Voltage rating: 250 VAC 
 Current rating: 15 A 
 Voltage rating: 250 VAC 

ORDERING CODE:
 42R02-3

1	2	3	4
---	---	---	---




1 = TERMINAL OPTIONS

- 1 = .187(4.8)
- 2 = .250(6.3)

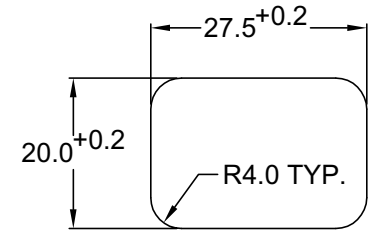
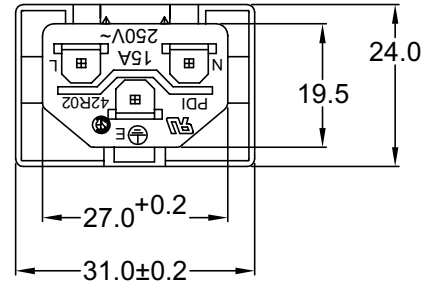
2 = COLOR

- 1 = BLACK
- 2 = GRAY

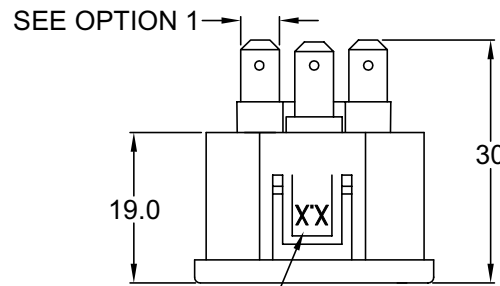
3 = ELECTRICAL CIRCUIT CONFIGURATION

- 1 = 15A 250V 120°C 2+GROUND 
- 2 = 15A 250V 70°C 2+GROUND 
- 4 = 15A 250V 70°C 2 POLE 

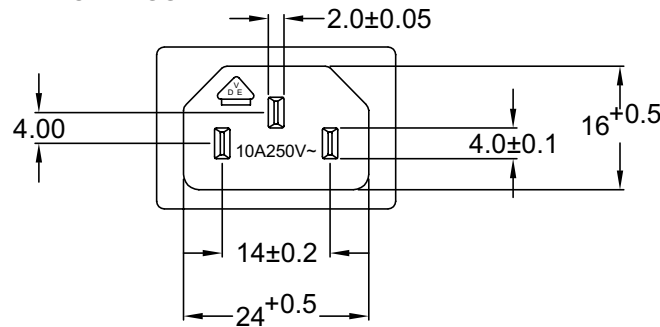
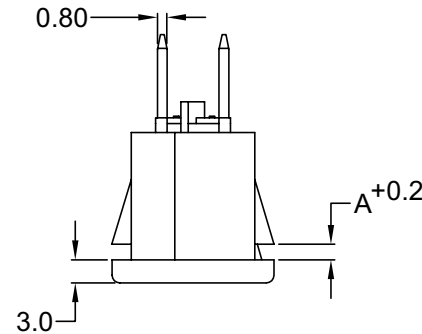
4 = PANEL THICKNESS



RECOMMENDED
 PANEL CUTOUT



REPLACE WITH
 CORRESPONDING
 PANEL THICKNESS



P/N	A	MAX. PANEL THICKNESS
42R02-3XXX-150	1.5	1.5
42R02-3XXX-200	2.0	2.0
42R02-3XXX-250	2.5	2.5

ADDITIONAL PANEL THICKNESS
 AVAILABLE ON REQUEST

TOLERANCE UNLESS OTHERWISE SPECIFIED	
X	± 1
X.X	± 0.4
X.XX	± 0.20
DRAWN BY: GQ	DATE: 8/2/01
CHECK BY: TD	DATE: 08/14/01
APPR BY: PB	DATE: 08/14/01

Power Dynamics, Inc.
 Phone: 973 560-0019 Whippany, New Jersey Fax: 973 560-0076

PART: IEC 60320 CONNECTOR; QUICK
 CONNECT INLET; SNAP-IN

42R02-3XXX-XXX		SHEET 1 of 1
PART #:	42R02-3XXX-XXX	
SIZE: A	ALL DIMENSIONS FOR REFERENCE ONLY DIMENSIONS ARE IN MILLIMETERS	
SCALE: NTS		
REV:		

REV	DATE	CHANGE	CHKG	CHK	APPR

D
C
B
A

6 5 4 3 2 1

6 5 4 3 2 1

6

5

4

3

2

1

MATERIAL AND FINISH

Insulator: Polycarbonate, UL-94V-0 rated
Contacts: Brass, Nickel plated

ELECTRICAL SPECIFICATIONS:

Current rating: 10 A

Voltage rating: 250 VAC

Current rating: 15 A

Voltage rating: 250 VAC



ORDERING CODE:

42R02-4
1 2 3

1 = TERMINAL OPTIONS

1 = .187(4.8)

2 = .250(6.3)

2 = COLOR

1 = BLACK

2 = GRAY

3 = ELECTRICAL CIRCUIT CONFIGURATION

1 = 15A 250V 120°C

2+GROUND



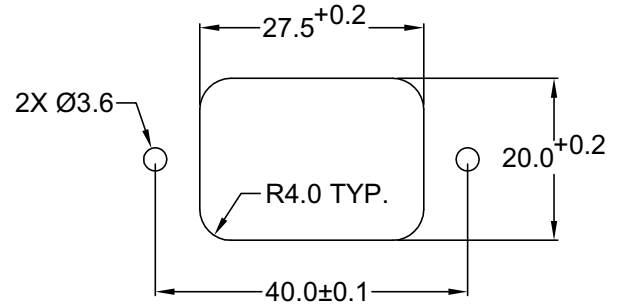
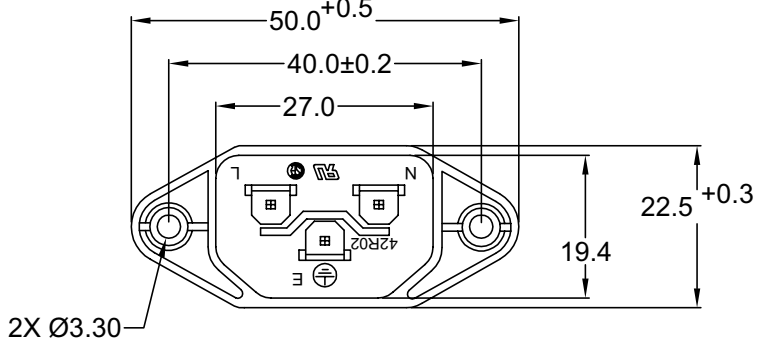
2 = 15A 250V 70°C

2+GROUND

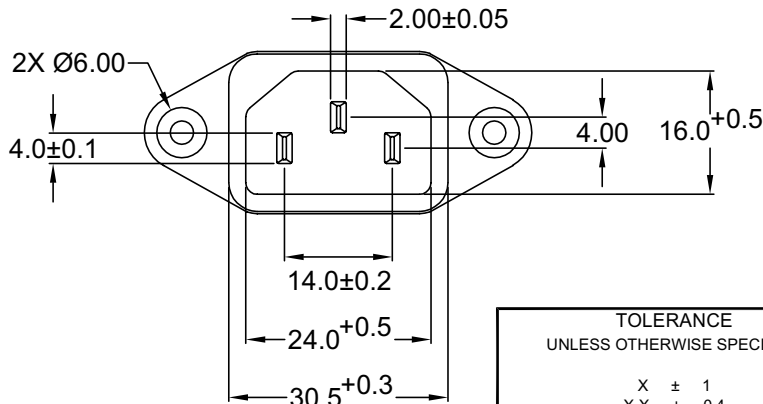
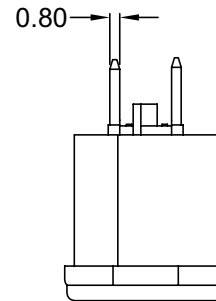
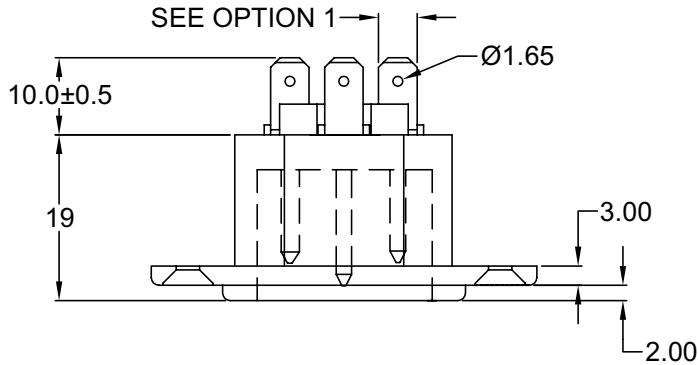


4 = 15A 250V 70°C

2 POLE



RECOMMENDED
PANEL CUT-OUT



REV	DATE	CHANGE	CHNG	CHECK	APPR

TOLERANCE UNLESS OTHERWISE SPECIFIED		
X	±	1
X.X	±	0.4
X.XX	±	0.20
DRAWN BY	GQ	DATE: 8/6/01
CHECK BY	TD	DATE: 8/13/01
APPR BY	PB	DATE: 8/13/01

Power Dynamics, Inc.		
Phone: 973 560-0019 Whippany, New Jersey Fax: 973 560-0076		
PART: IEC 60320 C14 APPL. INLET; QUICK CONNECT TERMINALS; SIDE FLANGE, PANEL MOUNT		
PART #: 42R02-4XXX		SHEET 1 of 1
SIZE: A	ALL DIMENSIONS FOR REFERENCE ONLY DIMENSIONS ARE IN MILLIMETERS	REV:
SCALE: NTS		

6

5

4

3

2

1

6

5

4

3




2

1

MATERIAL AND FINISH

Insulator: Polycarbonate, UL-94V-0 rated
Contacts: Brass, Nickel plated

ELECTRICAL SPECIFICATIONS:

Current rating: 10 A 
Voltage rating: 250 VAC
Current rating: 15 A 
Voltage rating: 250 VAC 

ORDERING CODE:

42R02-5
 1 2 3




1 = TERMINAL OPTIONS

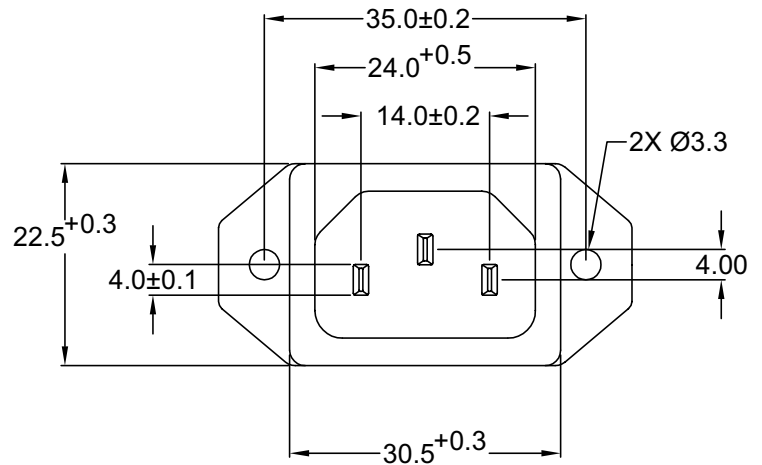
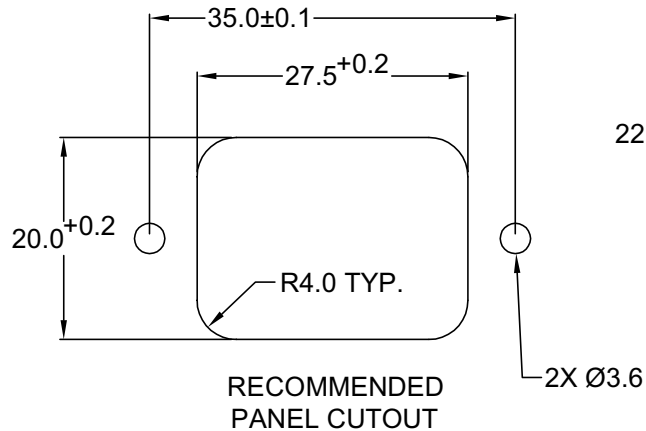
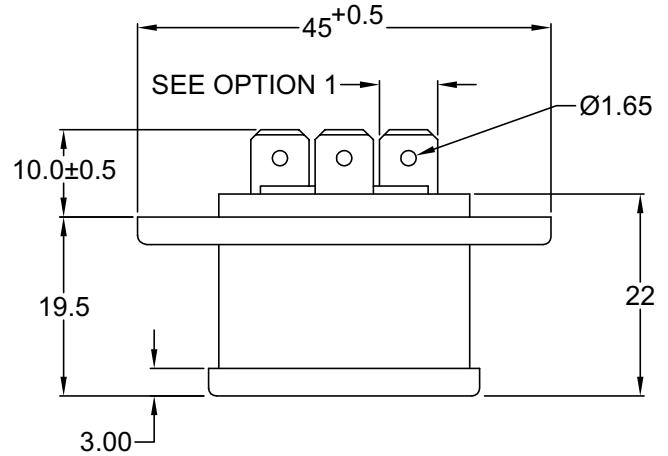
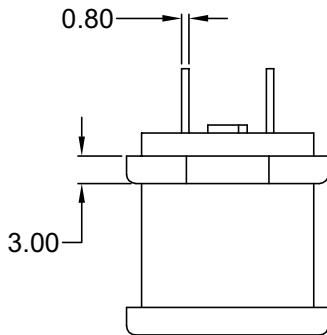
- 1 = .187(4.8)
- 2 = .250(6.3)

2 = COLOR

- 1 = BLACK
- 2 = GRAY

3 = ELECTRICAL CIRCUIT CONFIGURATION

- 1 = 15A 250V 120°C 2+GROUND 
- 2 = 15A 250V 70°C 2+GROUND 
- 4 = 15A 250V 70°C 2 POLE 



D

C

B

A

REV	DATE	CHNG	CHECK	APPR

TOLERANCE UNLESS OTHERWISE SPECIFIED		
X	±	1
X.X	±	0.4
X.XX	±	0.20
DRAWN BY	GQ	DATE: 8/9/01
CHECK BY	TD	DATE: 8/13/01
APPR BY	PB	DATE: 8/13/01

Power Dynamics, Inc.		
Phone: 973 560-0019 Whippany, New Jersey Fax: 973 560-0076		
PART: IEC 60320 C14 APPL. INLET; QUICK CONNECT TERMINALS; BOTTOM FLANGE		
PART #: 42R02-5XXX		SHEET 1 of 1
SIZE: A	ALL DIMENSIONS FOR REFERENCE ONLY DIMENSIONS ARE IN MILLIMETERS	REV:
SCALE: NTS		

6

5

4

3

2

1

6

5

4

3

2

1

MATERIAL AND FINISH

Insulator: Polycarbonate, UL-94V-0 rated
Contacts: Brass, Nickel plated

ELECTRICAL SPECIFICATIONS:

Current rating: 10 A

Voltage rating: 250 VAC

Current rating: 15 A

Voltage rating: 250 VAC



ORDERING CODE:

42R02-6
1 2 3

1 = TERMINAL OPTIONS

1 = .187(4.8)

2 = .250(6.3)

2 = COLOR

1 = BLACK

2 = GRAY

3 = ELECTRICAL CIRCUIT CONFIGURATION

1 = 15A 250V 120°C

2+GROUND



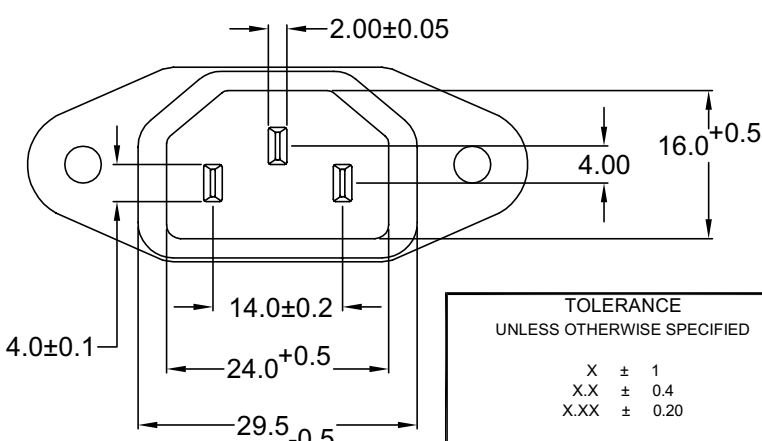
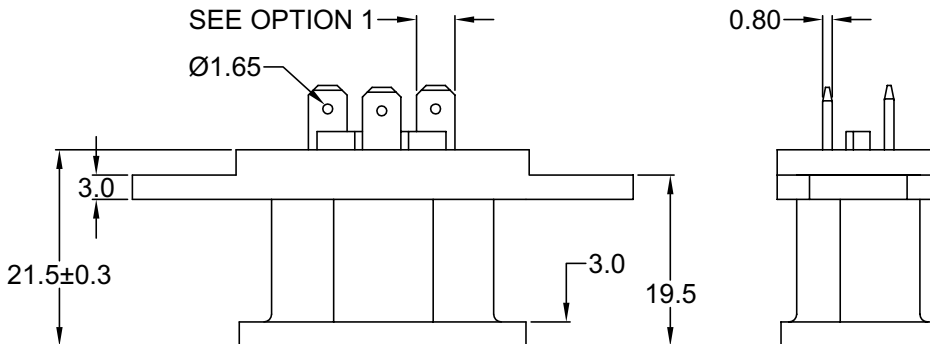
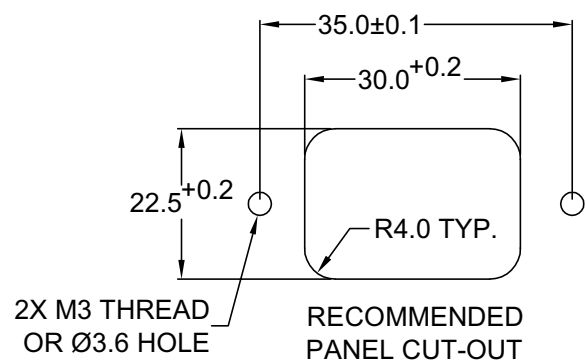
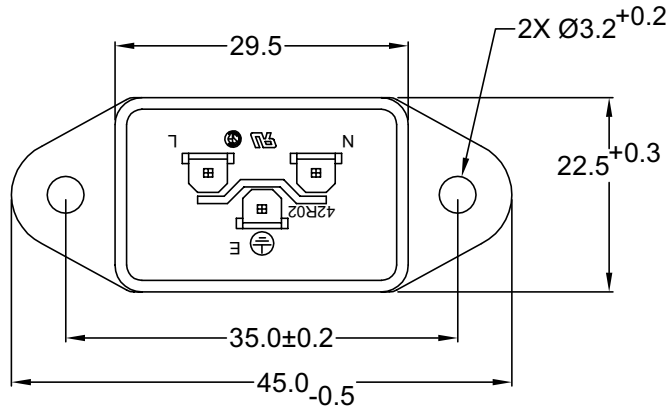
2 = 15A 250V 70°C

2+GROUND



4 = 15A 250V 70°C

2 POLE



TOLERANCE
UNLESS OTHERWISE SPECIFIED

X	± 1
X.X	± 0.4
X.XX	± 0.20

Power Dynamics, Inc.
Phone: 973 560-0019 Whippany, New Jersey Fax: 973 560-0076

PART: IEC 60320 C14 APPL. INLET; QUICK CONNECT
TERMINALS; BOTTOM FLANGE

DRAWN BY	GQ	DATE:	8/6/01
CHECK BY	TD	DATE:	8/13/01
APPR BY	PB	DATE:	8/13/01

PART #: 42R02-6XXX		SHEET 1 of 1
SIZE: A	ALL DIMENSIONS FOR REFERENCE ONLY DIMENSIONS ARE IN MILLIMETERS	REV:
SCALE: NTS		

D

C

B

A

REV	DATE	CHANGE	CHNG	CHECK	APPR

6

5

4

3

2

1

6

5

4

3

2

1

MATERIAL AND FINISH

Insulator: Polycarbonate, UL-94V-0 rated
Contacts: Brass, Nickel plated

ELECTRICAL SPECIFICATIONS:

Current rating: 10 A

Voltage rating: 250 VAC

Current rating: 15 A

Voltage rating: 250 VAC



ORDERING CODE:

42R02-7
1 2 3

1 = TERMINAL OPTIONS

1 = .187(4.8)

2 = .250(6.3)

2 = COLOR

1 = BLACK

2 = GRAY

3 = ELECTRICAL CIRCUIT CONFIGURATION

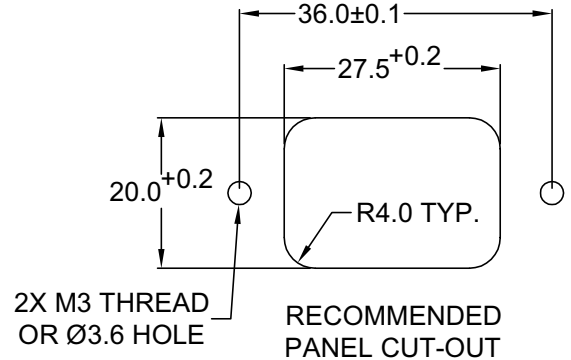
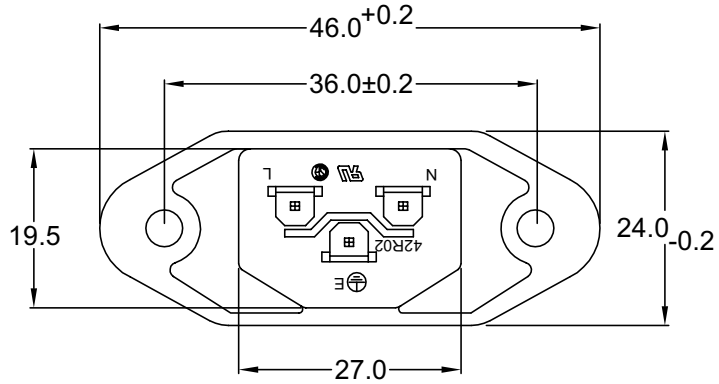
1 = 15A 250V 120°C
2+GROUND



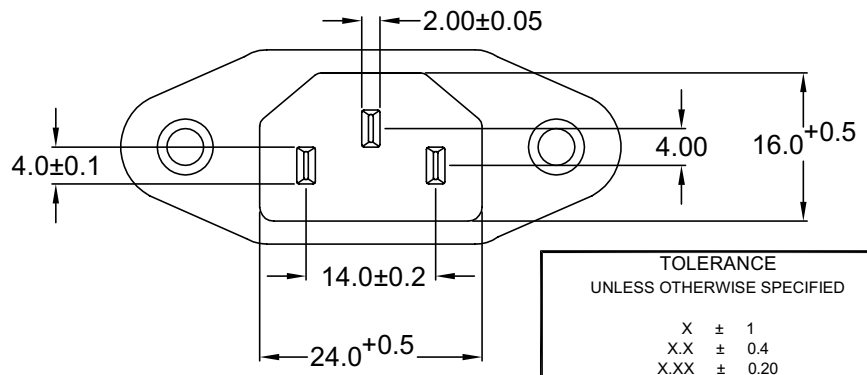
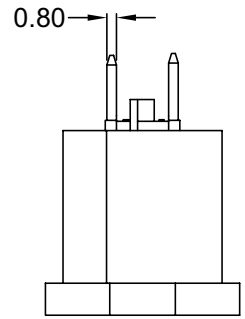
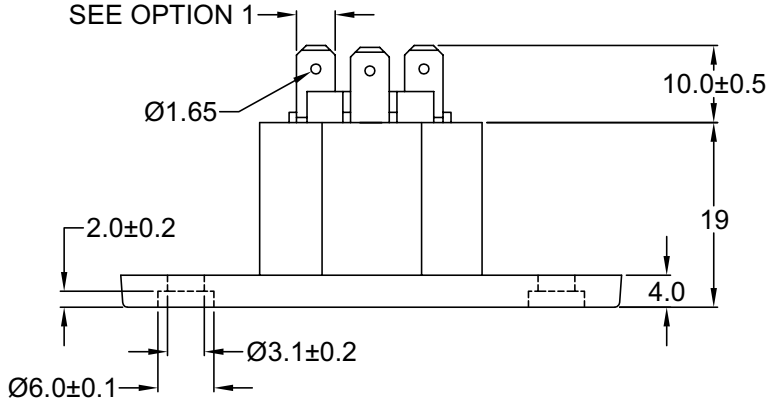
2 = 15A 250V 70°C
2+GROUND



4 = 15A 250V 70°C
2 POLE



SEE OPTION 1



TOLERANCE
UNLESS OTHERWISE SPECIFIED

X	± 1
X.X	± 0.4
X.XX	± 0.20

Power Dynamics, Inc.

Phone: 973 560-0019 Whippany, New Jersey Fax: 973 560-0076

PART: IEC 60320 C14 APPL. INLET; QUICK CONNECT
TERMINALS; SIDE FLANGE

DRAWN BY	GQ	DATE:	08/07/01
CHECK BY	TD	DATE:	8/14/01
APPR BY	PB	DATE:	8/14/01

PART #:	42R02-7XXX	SHEET	1 of 1
SIZE:	A	ALL DIMENSIONS FOR REFERENCE ONLY DIMENSIONS ARE IN MILLIMETERS	
SCALE:	NTS	REV:	

D

C

B

A

6

5

4

3

2

1

REV	DATE	CHANGE	CHNG	CHECK	APPR

REVISIONS

6

5

4

3

2

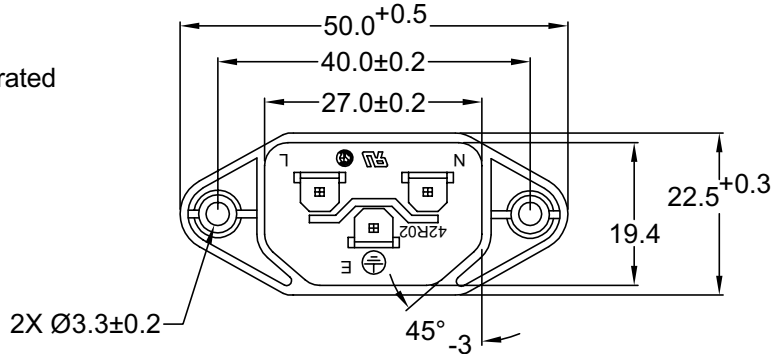
1

MATERIAL AND FINISH

Insulator: Polycarbonate, UL-94V-0 rated
Contacts: Brass, Nickel plated

ELECTRICAL SPECIFICATIONS:

Current rating: 10 A
Voltage rating: 250 VAC
Current rating: 15 A
Voltage rating: 250 VAC



ORDERING CODE:

42R02-1 1 2 3

1 = TERMINAL OPTIONS

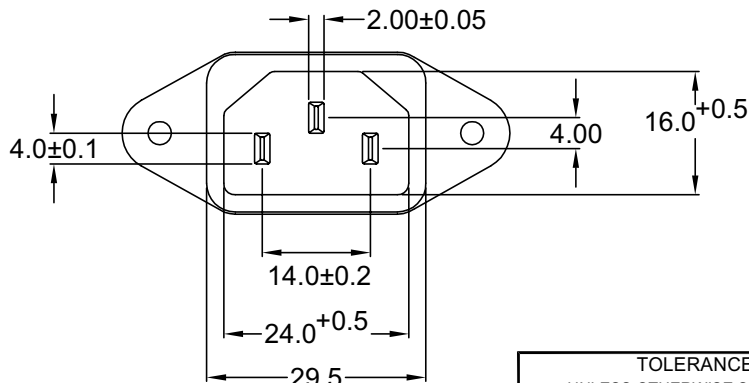
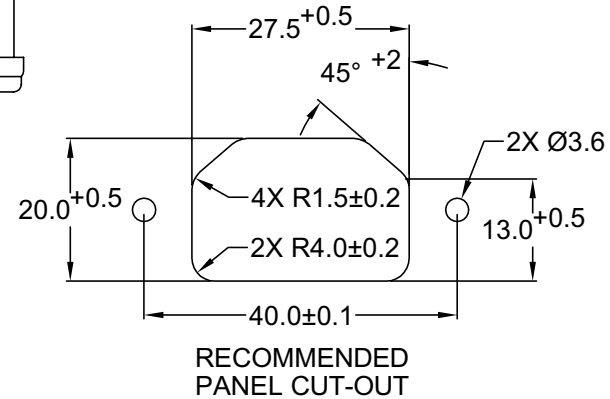
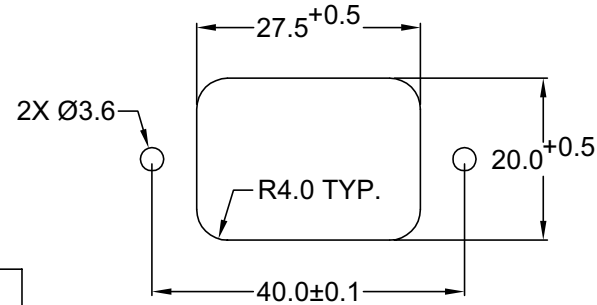
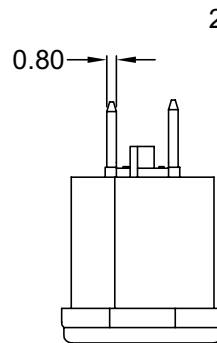
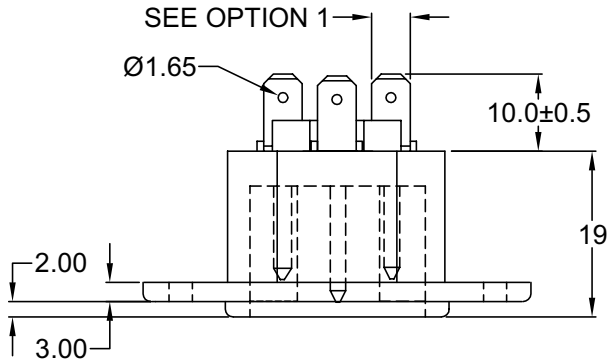
- 1 = .187(4.8)
- 2 = .250(6.3)

2 = COLOR

- 1 = BLACK
- 2 = GRAY

3 = ELECTRICAL CIRCUIT CONFIGURATION

- 1 = 15A 250V 120°C 2+GROUND
- 2 = 15A 250V 70°C 2+GROUND
- 4 = 15A 250V 70°C 2 POLE



TOLERANCE UNLESS OTHERWISE SPECIFIED

X	± 1
X.X	± 0.4
X.XX	± 0.20

DRAWN BY	GQ	DATE:	8/7/01
CHECK BY	TD	DATE:	8/13/01
APPR BY	PB	DATE:	8/13/01

Power Dynamics, Inc.
Phone: 973 560-0019 Whippany, New Jersey Fax: 973 560-0076
PART: IEC 60320 C14 APPL. INLET; QUICK CONNECT TERMINALS; SIDE FLANGE
42R02-8XXX
PART #: 42R02-8XXX
SIZE: A
SCALE: NTS
ALL DIMENSIONS FOR REFERENCE ONLY
DIMENSIONS ARE IN MILLIMETERS
SHEET 1 of 1
REV:

D

C

B

A

6

5

4

3

2

1

REV	DATE	CHANGE	CHNG	CHECK	APPR