

6

5

4

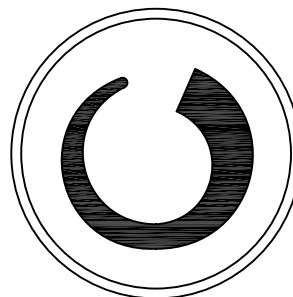
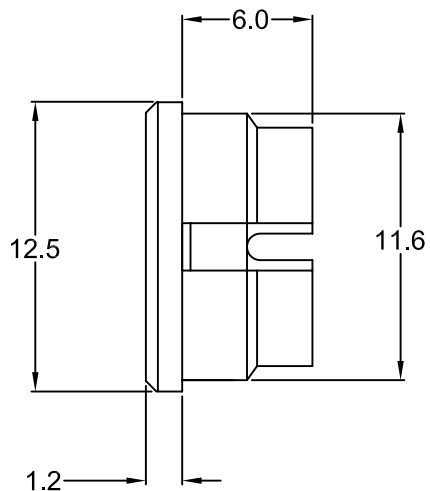
3

2

1

MATERIAL AND FINISH:
Cap: Polyamide 6, matte finish.

RoHS
COMPLIANT



REV	DATE	CHANGE	CHNG	CHECK	APPR

P/N	COLOR
30-15-121	LIGHT GRAY
30-15-122	GRAY
30-15-123	BLACK
30-15-124	RED
30-15-125	BLUE
30-15-126	YELLOW
30-15-127	GREEN

TOLERANCE UNLESS OTHERWISE SPECIFIED	
X	± 1
X.X	± 0.4
X.XX	± 0.20
DRAWN BY	PB
CHECK BY	DATE: 6/25/09
BY	DATE:
APPR BY	DATE:

Power Dynamics, Inc.	
Phone: 973 560-0019 Whippany, New Jersey Fax: 973 560-0076	
PART: 15mm FLAT CAP WITH CURVED ARROW MATTE FINISH	
PART #: 30-15-12X	
SIZE: A	SHEET 1 of 1
SCALE: NTS	ALL DIMENSIONS FOR REFERENCE ONLY DIMENSIONS ARE IN MILLIMETERS
REV:	

6

5

4

3

2

1