

6

5

4

3

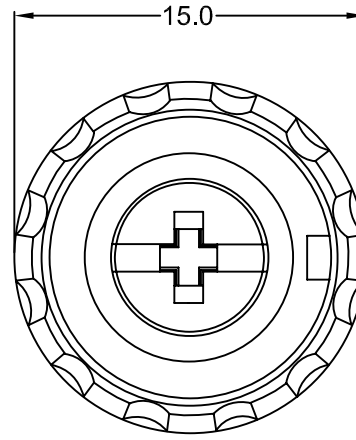
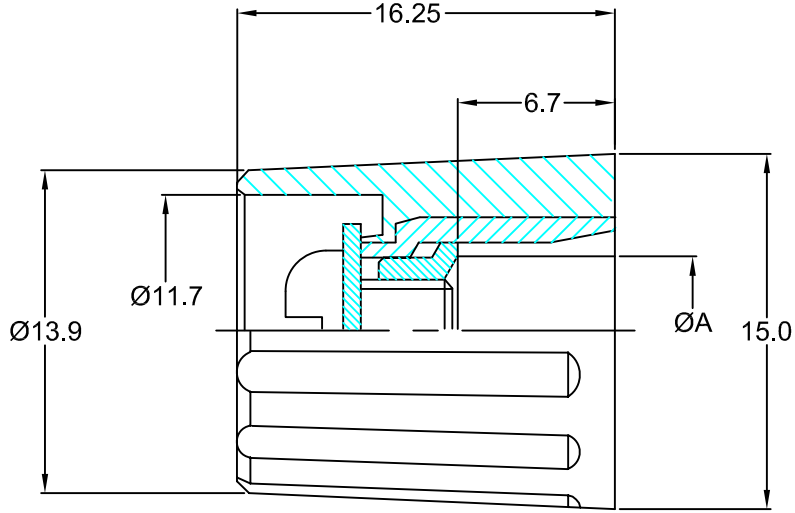
2

1

MATERIAL AND FINISH

Knob: Polyamide, Matte finish

Collet, Sleeve & nut: Brass 58



ORDERING CODE:

26-15-XX X
1 2

1) SHAFT DIAMETER (A)

- 30 = 3mm
- 31 = 1/8"
- 40 = 4mm
- 60 = 6mm
- 61 = 1/4"

2) COLOR (SEE CHART)

P/N	COLOR
26-15-XX1	LIGHT GRAY
26-15-XX2	GRAY
26-15-XX3	BLACK
26-15-XX4	RED

TOLERANCE UNLESS OTHERWISE SPECIFIED	
X	± 1
X.X	± 0.4
X.XX	± 0.20

DRAWN BY	PB	DATE:	4/2/03
CHECK BY	TD	DATE:	4/2/03
APPR BY	PB	DATE:	4/2/03

Power Dynamics, Inc.

Phone: 973 560-0019 Whippany, New Jersey Fax: 973 560-0076

PART: STANDARD KNOB; MATTE FINISH
15mm KNOB DIAMETER

26-15-XXX SHEET 1 of 1

SCALE: NTS ALL DIMENSIONS FOR REFERENCE ONLY
DIMENSIONS ARE IN MILLIMETERS REV:

D

C

B

A

D

C

B

A

REV	DATE	CHANGE	CHKG	CHKD	APPR

6

5

4

3

2

1