



# Fortimo LED spotlight module

Fortimo LED SLM 1100 14W/840 L9 G2

Good lighting plays a vital role in attracting shoppers into the store and getting them to stay. Designed into luminaires, the Fortimo Spot LED range of lamps and drivers enhances the attractiveness of all kinds of merchandise thanks to its high color rendering index, perfect red rendering and tighter color consistency. Fortimo Spot LED's long lifetime and excellent lumen maintenance eliminate the hassle of relamping, and with minimized heat and UV in the beam, the merchandise can be illuminated more closely. The system also enables significant energy savings compared to halogen, and reduced maintenance compared to metal halide.

## Product data

### • General Characteristics

Operating Position	Universal
Life to 70% lumen maintenance	50000 hr
Lifetime to 90% survivors	50000 hr

### • Light Technical Characteristics

Color Code	840
Color Designation (text)	Neutral White
Correlated Color Temperature	4000 K
Luminous Flux	1100 Lm
Color rendering index	85
Color consistency initial	3

### • Electrical Characteristics

Wattage	14 W
Dimmable	Yes
Power module	13.0 W

### • Temperature Characteristics

T-case maximum	75 (max) C
----------------	------------

### • Approval & Application Chars

CE marking	Yes
ENEC certificate	Yes

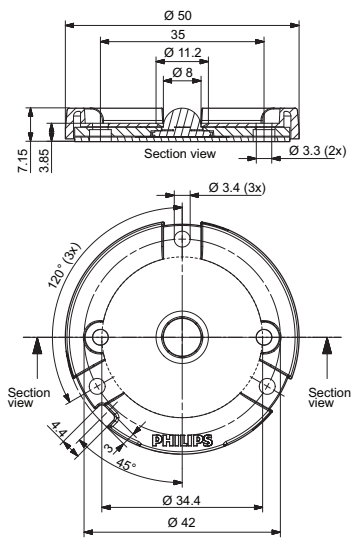
### • Product Data

Order code	929000832103
Full product code	929000832103
Full product name	Fortimo LED SLM 1100 14W/840 L9 G2
Order product name	Fortimo LED SLM 1100 14W/840 L9 G2
Pieces per pack	1
Packing configuration	10
Packs per outerbox	10
Bar code on pack - EAN1	8718291247210
Bar code on outerbox - EAN3	8718291247227
Logistic code(s) - 12NC	929000832103
Net weight per piece	0.014 kg

**PHILIPS**

# Fortimo LED spotlight module

## Dimensional drawing



Fortimo LED SLM 1100 14W/840 L9 G2



© 2013 Koninklijke Philips N.V. (Royal Philips)  
All rights reserved.

Specifications are subject to change without notice. Trademarks are the property of Koninklijke Philips N.V. (Royal Philips) or their respective owners.

[www.philips.com/lighting](http://www.philips.com/lighting)

2013, October 9  
data subject to change