

Breakthrough in energy efficiency and higher lumen packages

Philips Fortimo LED Downlight Module (DLM) Gen 3 System Downlighting Systems Simplified

The Fortimo LED Downlight Module is equipped with a special remote phosphor technology, that enables very high levels of LED efficacy. This general lighting solution continues on the idea of LED Systems Simplified. Additionally the excellent lumen maintenance and long lifetime of up to 50,000 hours* make frequent re-lamping a thing of the past – a promise that is backed up by a Philips five-year limited warranty.

Peace of mind for manufacturers

The lamp and driver have been developed and rigorously tested in combination with each other, including key enhancements like thermal protection for the module. Additionally, the module has been successfully implemented using LM-80 guidelines. As a result, they provide a great lumen output and light distribution, while efficacy upgrades can be implemented when available.

Future-proof modules

As energy efficiency advances in LEDs are made and new bins become available, they will be incorporated into the Fortimo LED Modules, offering higher efficacies, without changing the dimensions, shape or lumen output of the system. This allows luminaire

manufacturers to plan and design new luminaire ranges for the coming years.

Benefits of Fortimo Downlight Module System

- Increased efficacies
- CRI increased to a minimum of 80
- Color consistency increased to 3 SDCM
- Dimming options include 0-10V, TE and DALI
- Offering expanded to include 2700K and 2800lm packages

Applications

General lighting in:

- Offices (areas such as hallways, receptions, boardrooms, etc.)
- Hotel lobbies and receptions areas
- Retail high-end shops

* Average rated life is based on engineering data testing and probability analysis. The hours are at the B50, L70 point - 50,000 hours life with 70% lumen maintenance at Tc point of 65° C.

PHILIPS
sense and simplicity

Module Performance Specifications*

Description	Approx. Lumens ^{1, 2}	CRI ³	CCT ⁴ (K)	SDCM ⁵	Module Rated Power (W)	Module Efficacy (lm/W)	Lifetime (hrs) Tc 65° C ⁶
Fortimo LED DLM 1100 14W/827 UL Gen3**	1100	80	2700	3	14	79	50,000
Fortimo LED DLM 1100 14W/830 UL Gen3	1100	80	3000	3	14	83	50,000
Fortimo LED DLM 1100 13W/835 UL Gen3	1100	80	3500	3	13	87	50,000
Fortimo LED DLM 1100 13W/840 UL Gen3	1100	80	4000	3	13	91	50,000
Fortimo LED DLM 1300 16W/827 UL Gen3**	1300	80	2700	3	16	78	50,000
Fortimo LED DLM 1300 16W/830 UL Gen3	1300	80	3000	3	16	81	50,000
Fortimo LED DLM 1300 15W/835 UL Gen3	1300	80	3500	3	15	86	50,000
Fortimo LED DLM 1300 15W/840 UL Gen3	1300	80	4000	3	15	90	50,000
Fortimo LED DLM 2000 26W/827 UL Gen3**	2000	80	2700	3	26	74	50,000
Fortimo LED DLM 2000 26W/830 UL Gen3	2000	80	3000	3	26	76	50,000
Fortimo LED DLM 2000 25W/835 UL Gen3	2000	80	3500	3	25	80	50,000
Fortimo LED DLM 2000 24W/840 UL Gen3	2000	80	4000	3	24	84	50,000
Fortimo LED DLM 2800 42W/827 UL Gen3**	2800	80	2700	3	42	70	50,000
Fortimo LED DLM 2800 42W/830 UL Gen3**	2800	80	3000	3	42	70	50,000
Fortimo LED DLM 2800 39W/835 UL Gen3**	2800	80	3500	3	39	75	50,000
Fortimo LED DLM 2800 39W/840 UL Gen3**	2800	80	4000	3	39	78	50,000

* Current specifications are subject to change, for the latest specifications, please contact your local Philips sales representative.

**Available first quarter 2012

1. Photometric testing consistent with CIE 127:2007 2nd Edition

2. 100% of all production units fall between -10% and +20% of listed values

3. All CRI are 80 or above

4. Complies with ANSI C78.377A Specifications

5. All production units will fall between +/- 0.2 of listed value

System Part Numbers and Performance Specifications*

For 120-277 Vac Systems

System Description	Module Part Number	Dimming 0-10V and TE					
		39W Driver Dimming (0-10V only)		25W, Driver Linear Dimming (120 Vac only)		50W, Driver Linear Dimming (120 Vac only)	
		System Power (W)	System Efficacy (lm/W)	System Power (W)	System Efficacy (lm/W)	System Power (W)	System Efficacy (lm/W)
Fortimo LED DLM 1100 14W/827 UL Gen3**	929000671003	19	57	19	59		
Fortimo LED DLM 1100 14W/830 UL Gen3	929000671103	19	60	18	62		
Fortimo LED DLM 1100 13W/835 UL Gen3	929000671203	18	62	18	64		
Fortimo LED DLM 1100 13W/840 UL Gen3	929000671303	18	65	17	67		
Fortimo LED DLM 1300 16W/827 UL Gen3**	929000671403	22	59	21	60		
Fortimo LED DLM 1300 16W/830 UL Gen3	929000671503	22	61	21	62		
Fortimo LED DLM 1300 15W/835 UL Gen3	929000671603	21	64	20	65		
Fortimo LED DLM 1300 15W/840 UL Gen3	929000671703	20	66	19	68		
Fortimo LED DLM 2000 26W/827 UL Gen3**	929000671803	33	60			32	61
Fortimo LED DLM 2000 26W/830 UL Gen3	929000671903	33	61			32	62
Fortimo LED DLM 2000 25W/835 UL Gen3	929000672003	31	64			31	65
Fortimo LED DLM 2000 24W/840 UL Gen3	929000672103	30	67			30	68
Fortimo LED DLM 2800 42W/827 UL Gen3**	929000672203					49	60
Fortimo LED DLM 2800 42W/830 UL Gen3**	929000672303					49	60
Fortimo LED DLM 2800 39W/835 UL Gen3**	929000672403					45	64
Fortimo LED DLM 2800 39W/840 UL Gen3**	929000672503					45	66
Driver Part Number		913701213402		X1025C100V036XPLIM		X1050C100V054XPLIM	

* Current specifications are subject to change, for the latest specifications, please contact your local Philips Sales representative.

**Available first quarter 2012

System Part Numbers and Performance Specifications*

120 Vac Systems

System Description	Module Part Number	Dimming 0-10V and TE				Dimming DALI	
		25W Driver		50W Driver		25W Driver	
		System Power (W)	System Efficacy (lm/W)	System Power (W)	System Efficacy (lm/W)	System Power (W)	System Efficacy (lm/W)
Fortimo LED DLM 1100 14W/827 UL Gen3**	929000671003	19	60			18	60
Fortimo LED DLM 1100 14W/830 UL Gen3	929000671103	18	62			18	63
Fortimo LED DLM 1100 13W/835 UL Gen3	929000671203	17	65			17	66
Fortimo LED DLM 1100 13W/840 UL Gen3	929000671303	17	68			17	69
Fortimo LED DLM 1300 16W/827 UL Gen3**	929000671403	21	61			21	61
Fortimo LED DLM 1300 16W/830 UL Gen3	929000671503	21	63			21	63
Fortimo LED DLM 1300 15W/835 UL Gen3	929000671603	20	66			20	66
Fortimo LED DLM 1300 15W/840 UL Gen3	929000671703	19	69			19	69
Fortimo LED DLM 2000 26W/827 UL Gen3**	929000671803			32	60		
Fortimo LED DLM 2000 26W/830 UL Gen3	929000671903			32	61		
Fortimo LED DLM 2000 25W/835 UL Gen3	929000672003			31	64		
Fortimo LED DLM 2000 24W/840 UL Gen3	929000672103			30	67		
Fortimo LED DLM 2800 42W/827 UL Gen3**	929000672203			49	60		
Fortimo LED DLM 2800 42W/830 UL Gen3**	929000672303			49	60		
Fortimo LED DLM 2800 39W/835 UL Gen3**	929000672403			46	63		
Fortimo LED DLM 2800 39W/840 UL Gen3**	929000672503			46	66		
Driver Part Number		XR025C100V036XPM1M		XR050C100V054XPM1M		XR025C100V036LPM1M	

* Current specifications are subject to change, for the latest specifications, please contact your local Philips Sales representative.

**Available first quarter 2012

System Part Numbers and Performance Specifications*

277 Vac Systems

System Description	Module Part Number	Dimming 0-10V			
		25W Driver		50W Driver	
		System Power (W)	System Efficacy (lm/W)	System Power (W)	System Efficacy (lm/W)
Fortimo LED DLM 1100 14W/827 UL Gen3**	929000671003	19	60		
Fortimo LED DLM 1100 14W/830 UL Gen3	929000671103	18	62		
Fortimo LED DLM 1100 13W/835 UL Gen3	929000671203	17	65		
Fortimo LED DLM 1100 13W/840 UL Gen3	929000671303	17	68		
Fortimo LED DLM 1300 16W/827 UL Gen3**	929000671403	21	61		
Fortimo LED DLM 1300 16W/830 UL Gen3	929000671503	21	63		
Fortimo LED DLM 1300 15W/835 UL Gen3	929000671603	20	66		
Fortimo LED DLM 1300 15W/840 UL Gen3	929000671703	19	69		
Fortimo LED DLM 2000 26W/827 UL Gen3**	929000671803			32	61
Fortimo LED DLM 2000 26W/830 UL Gen3	929000671903			32	62
Fortimo LED DLM 2000 25W/835 UL Gen3	929000672003			31	65
Fortimo LED DLM 2000 24W/840 UL Gen3	929000672103			29	68
Fortimo LED DLM 2800 42W/827 UL Gen3**	929000672203			48	61
Fortimo LED DLM 2800 42W/830 UL Gen3**	929000672303			48	61
Fortimo LED DLM 2800 39W/835 UL Gen3**	929000672403			45	65
Fortimo LED DLM 2800 39W/840 UL Gen3**	929000672503			45	67
Driver Part Number		XV025C100V036DPM1M		XV050C100V054DPM1M	

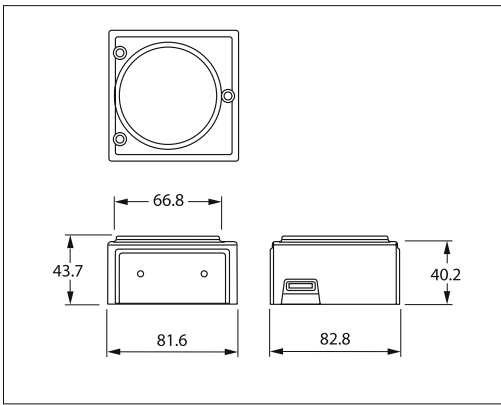
* Current specifications are subject to change, for the latest specifications, please contact your local Philips Sales representative.

**Available first quarter 2012

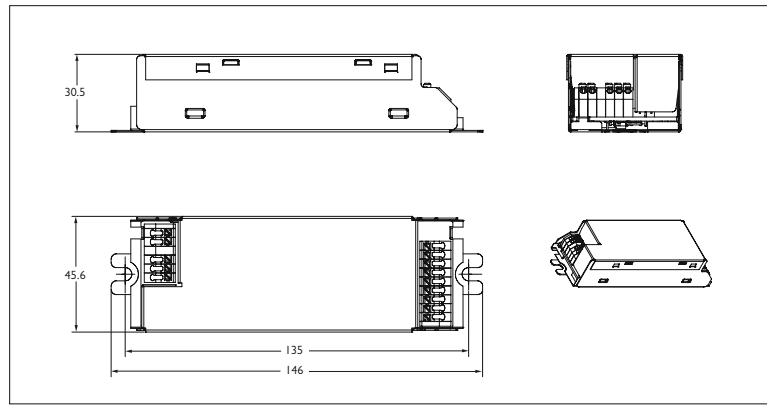
Cable Assembly Part Numbers

Cable Assembly	For use with 39W driver	For use with 25W & 50W drivers	For use between 6181/8381/2121 cables and Gen III module
	929000690703 (7 wire, fan, 50cm)	929000663703* (9 wire, fan, 50cm)	929000694303 (5cm)
	929000690603 (7 wire, fan, 84cm)	929000683803* (9 wire, fan, 84cm)	
		929000683903* (6 wire, 50cm)	
		929000684003* (6 wire, 84cm)	

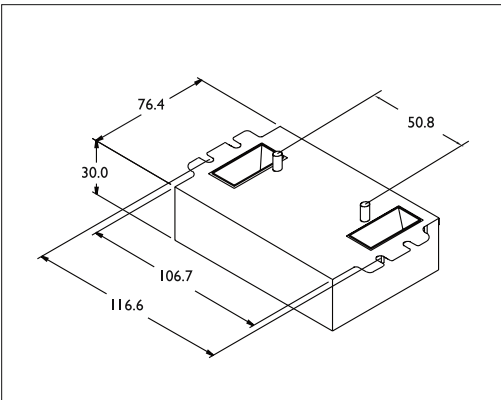
Dimensions (mm)



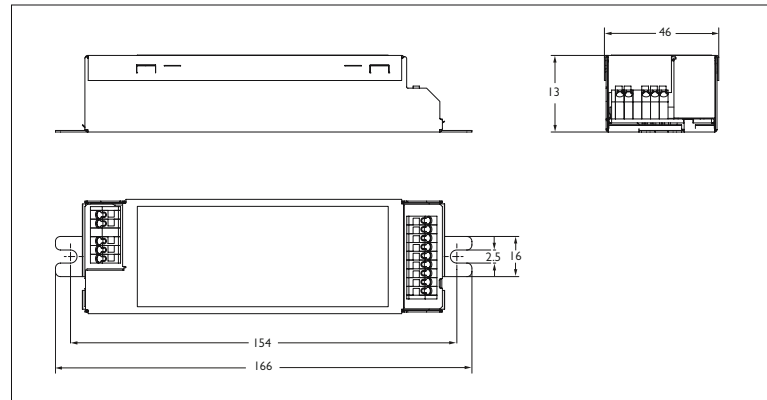
Fortimo DLM Downlight Module



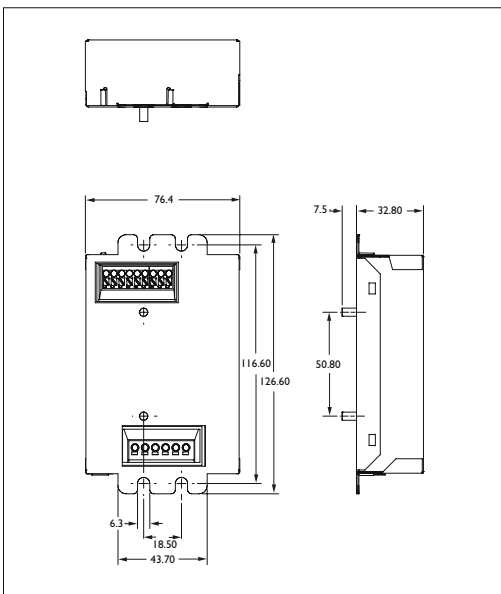
25W Linear Driver



39W Driver



50W Linear Driver



25W and 50W Driver



©2011 Philips Lighting Electronics, N.A.,
A Division of Philips Electronics North America Corporation

All rights reserved.
Printed in the USA

Form No. LE-6180-G

Philips Lighting Electronics N.A.
10275 W. Higgins Road
Rosemont IL 60018
Tel: 800-322-2086 Fax: 888-423-1882
Customer Support/Customer Care: 800-372-3331
OEM Support: 866-915-5886
www.philips.com/ledmodulesna