



Lexel LED spotlight module

Lexel LED SLM 1100 22W/8TW 20mm

The Philips Lexel LED SLM system is designed for general lighting applications in the professional market, enabling the creation of ambiance with changing tones of white light and different colors from a single light source. The system consists of an LED module and a dedicated LED driver (with optional cable) designed for use in new luminaires together with a heatsink, reflector and user interface. It offers a choice of white color temperature, good color rendering and color consistency between modules and over lifetime. This future-proof system has fixed form and lumen packages. An external heatsink and optics can be easily attached to the module. Dimmable and featuring instant 100% light, the system is compatible with a variety of controls. It emits no heat or UV, which benefits retailers looking to preserve the color fastness of their products.

Product data

• General Characteristics

Housing color	White
Overheating Protection	Yes
Operating Position	Universal
Life to 70% lumen maintenance	50000 hr
Lifetime to 90% survivors	50000 hr

• Light Technical Characteristics

Color Code	827-842
Color Designation (text)	Tunable White
Correlated Color Temperature	2700 (min), 4200 (max) K
Color rendering index	>80
Luminous flux @ 4000 K	1100 Lm
Module efficacy @ 4000 K	65 Lm/W

• Electrical Characteristics

Dimmable	Yes
Power module @ 4000 K	17 W

• Temperature Characteristics

T-case maximum	65 (max) C
----------------	------------

T-ambient	35 C
-----------	------

• Approval & Application Chars

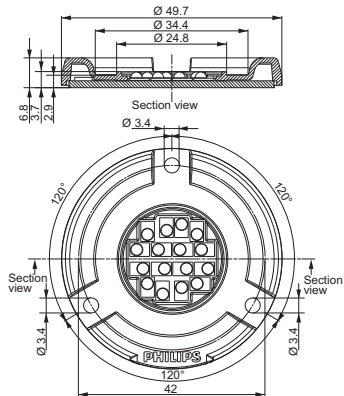
CB compliance	Yes
CE marking	Yes
ENEC certificate	Yes
UL certificate	No
CSA certificate	No
RCM compliance	No
RoHS compliance	Yes

• Product Data

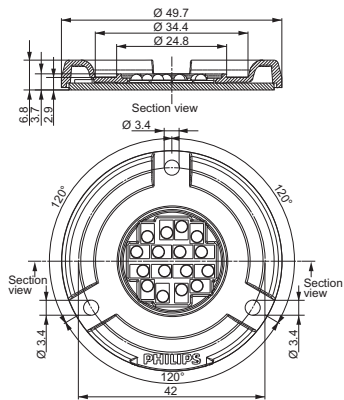
Order code	929000620203
Full product code	929000620203
Full product name	Lexel LED SLM 1100 22W/8TW 20mm
Order product name	Lexel LED SLM 1100 22W/8TW 20mm
Pieces per pack	1
Packing configuration	10
Packs per outerbox	10
Bar code on pack - EAN1	8718291547037
Bar code on outerbox - EAN3	8727900954159
Logistic code(s) - 12NC	929000620203
Net weight per piece	0.014 kg

Lexel LED spotlight module

Dimensional drawing



Lexel LED SLM 1100 22W/8TW 20mm



Lexel LED SLM 1100 22W/8TW 20mm



© 2012 Koninklijke Philips Electronics N.V.
All rights reserved.

Specifications are subject to change without notice. Trademarks are the property of Koninklijke Philips Electronics N.V. or their respective owners.

www.philips.com/lighting

2012, December 29
data subject to change