



TMP type

PCB type



New PCB type

RoHS Directive compatibility information
<http://www.nais-e.com/>

FEATURES

- 1. Price competitive**
having better price competitiveness (New PCB type 400 mW only)
- 2. Supports magnetron and heater loads.**
Switching possible for magnetron and heater loads found in microwave ovens.
- 3. Excellent heat resistance**
Ambient temperature: up to 85°C 185°F
This satisfies UL coil insulation class B/class F available
- 4. High insulation resistance**
Creepage distance and clearances between contact and coil:
Min. 8 mm .315 inch
Surge withstand voltage: Min. 10,000V
- 5. Low operating power**
Nominal operating power: 400mW/200mW (High sensitive type)
- 6. A wide variety of types**
Product line consists of 5 types with different shapes and pins

- 7. Conforms to the various safety standards:**
UL/CSA, TÜV, VDE approved and SEMKO available

TYPICAL APPLICATIONS

- Microwave ovens
- Refrigerators
- OA equipment

SPECIFICATIONS

Contact

Arrangement	1 Form A	
Initial contact resistance, max. (By voltage drop 6 V DC 1 A)	100 mΩ	
Contact material	AgSnO ₂ type	
Rating (resistive load)	Nominal switching capacity	16 A 277 V AC
	Max. switching power	4,432 V A
	Max. switching voltage	277 V AC
	Max. switching current	16 A
	Min. switching capacity ^{#1}	100 mA, 5 V DC
Expected life (min. operations)	Mechanical (at 180 cpm)	2 × 10 ⁶
	Electrical (at 20 cpm) (Resistive load)	10 ⁵

Coil

Type	Standard	High sensitive
Nominal operating power	400 mW	200 mW

^{#1} This value can change due to the switching frequency, environmental conditions, and desired reliability level, therefore it is recommended to check this with the actual load.

Remarks

- * Specifications will vary with foreign standards certification ratings.
- ^{#1} Measurement at same location as "Initial breakdown voltage" section.
- ^{#2} Detection current: 10mA
- ^{#3} Wave is standard shock voltage of $\pm 1.2 \times 50\mu\text{s}$ according to JEC-212-1981
- ^{#4} Excluding contact bounce time.
- ^{#5} Half-wave pulse of sine wave: 11 ms; detection time: 10 μs
- ^{#6} Half-wave pulse of sine wave: 6 ms
- ^{#7} Detection time: 10 μs
- ^{#8} Refer to 6. Conditions for operation, transport and storage mentioned in AMBIENT ENVIRONMENT.

Characteristics

Max. operating speed (at rated load)	20 cpm	
Initial insulation resistance ^{*1}	Min. 1,000 MΩ (at 500 V DC)	
Initial breakdown voltage ^{*2}	Between open contacts	1,000 Vrms for 1 min.
	Between contacts and coil	4,000 Vrms for 1 min.
Initial surge voltage between contact and coil ^{*3}	Min. 10,000 V	
Operate time ^{*4} (at nominal voltage) (at 20°C 68°F)	Max. 20ms	
Release time (with diode) ^{*4} (at nominal voltage) (at 20°C 68°F)	Max. 20ms Max. 25ms (200 mW type)	
Temperature rise (at nominal voltage) (resistance method, contact current 16 A, 20°C 68°F)	Max. 55°C Max. 45°C (200 mW type)	
Shock resistance	Functional ^{*5}	Min. 200 m/s ² {20 G}
	Destructive ^{*6}	Min. 1,000 m/s ² {100 G}
Vibration resistance	Functional ^{*7}	10 to 55Hz at double amplitude of 1.5mm
	Destructive	10 to 55Hz at double amplitude of 1.5mm
Conditions for operation, transport and storage ^{*8} (Not freezing and condensing at low temperature)	Ambient temp.	-40°C to +85°C -40°F to +185°F
	Humidity	5 to 85% R.H.
Unit weight	Approx. 17 g .60 oz	

LE (ALE)

ORDERING INFORMATION

Ex. A LE 1 2 B 12

Product name	Contact arrangement	Terminal shape	Coil insulation class	Coil voltage, V DC	
LE	1: 1 Form A (400 mW) 7: 1 Form A (200 mW)	2: TMP type/PCB side three terminals (includes one dummy terminal) 3: TMP type/PCB side three terminals 4: TMP type/PCB side four terminals 5: PCB type (No tab terminals) P: New PCB type	B: Class B insulation F: Class F insulation	05: 5 06: 6 09: 9 12: 12	18: 18 24: 24 48: 48

UL/CSA, TÜV, VDE approved type is standard.

Note: Standard packing; Carton: 100 pcs. Case 500 pcs.

TYPES

1. Standard type

Contact arrangement	Coil voltage, V DC	TMP type/PCB side three terminals (includes one dummy terminal)	TMP type/PCB side three terminals	TMP type/PCB side four terminals	PCB type (No tab terminals)	New PCB type
		Part No.	Part No.	Part No.	Part No.	Part No.
1 Form A	5	ALE12○05	ALE13○05	ALE14○05	ALE15○05	ALE1P○05
	6	ALE12○06	ALE13○06	ALE14○06	ALE15○06	ALE1P○06
	9	ALE12○09	ALE13○09	ALE14○09	ALE15○09	ALE1P○09
	12	ALE12○12	ALE13○12	ALE14○12	ALE15○12	ALE1P○12
	18	ALE12○18	ALE13○18	ALE14○18	ALE15○18	ALE1P○18
	24	ALE12○24	ALE13○24	ALE14○24	ALE15○24	ALE1P○24
	48	ALE12○48	ALE13○48	ALE14○48	ALE15○48	ALE1P○48

○: Input the following letter. Class B: B, Class F: F

2. High sensitive type

Contact arrangement	Coil voltage, V DC	TMP type/PCB side three terminals (includes one dummy terminal)	TMP type/PCB side three terminals	TMP type/PCB side four terminals	PCB type (No tab terminals)
		Part No.	Part No.	Part No.	Part No.
1 Form A (High sensitivity: 200mW)	5	ALE72○05	ALE73○05	ALE74○05	ALE75○05
	6	ALE72○06	ALE73○06	ALE74○06	ALE75○06
	9	ALE72○09	ALE73○09	ALE74○09	ALE75○09
	12	ALE72○12	ALE73○12	ALE74○12	ALE75○12
	18	ALE72○18	ALE73○18	ALE74○18	ALE75○18
	24	ALE72○24	ALE73○24	ALE74○24	ALE75○24
	48	ALE72○48	ALE73○48	ALE74○48	ALE75○48

○: Input the following letter. Class B: B, Class F: F

COIL DATA (at 20°C 68°F)

1. Standard type

Nominal voltage, V DC	Pick-up voltage, V DC (max.) (at 20°C 68°F)	Drop-out voltage, V DC (min.) (at 20°C 68°F)	Coil resistance, Ω (±10%) (at 20°C 68°F)	Nominal operating current, mA (±10%) (at 20°C 68°F)	Nominal operating power, mW (at 20°C 68°F)	Maximum allowable voltage, V DC (at 20°C 68°F)
5	3.75	0.25	63	80	400	7.2
6	4.5	0.3	90	66.7		8.7
9	6.75	0.45	203	44.4		13.0
12	9	0.6	360	33.3		17.4
18	13.5	0.9	810	22.2		26.1
24	18	1.2	1,440	16.7		34.8
48	36	2.4	5,760	8.3		69.6

2. High sensitive type

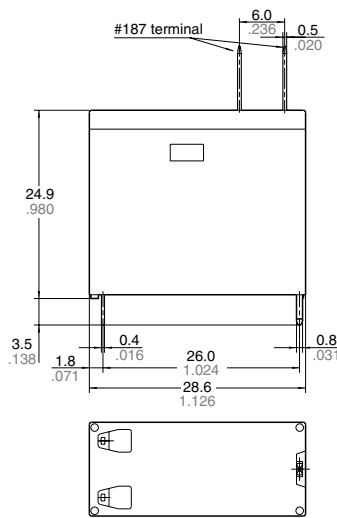
Nominal voltage, V DC	Pick-up voltage, V DC (max.) (at 20°C 68°F)	Drop-out voltage, V DC (min.) (at 20°C 68°F)	Coil resistance, Ω (±10%) (at 20°C 68°F)	Nominal operating current, mA (±10%) (at 20°C 68°F)	Nominal operating power, mW (at 20°C 68°F)	Maximum allowable voltage, V DC (at 20°C 68°F)
5	3.75	0.25	125	40	200	7.2
6	4.5	0.3	180	33.3		8.7
9	6.75	0.45	405	22.2		13.0
12	9	0.6	720	16.7		17.4
18	13.5	0.9	1,620	11.1		26.1
24	18	1.2	2,880	8.3		34.8
48	36	2.4	11,520	4.2		69.6

DIMENSIONS

mm inch

1. TMP type

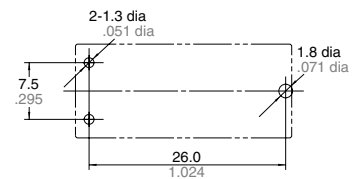
PCB side three terminals
(includes one dummy terminal)



Dimension:
 Max. 1mm .039 inch:
 1 to 3mm .039 to .118 inch:
 Min. 3mm .118 inch:

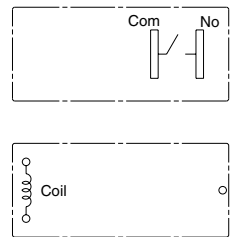
Tolerance
 ±0.1 ±.004
 ±0.2 ±.008
 ±0.3 ±.012

PC board pattern (Bottom view)

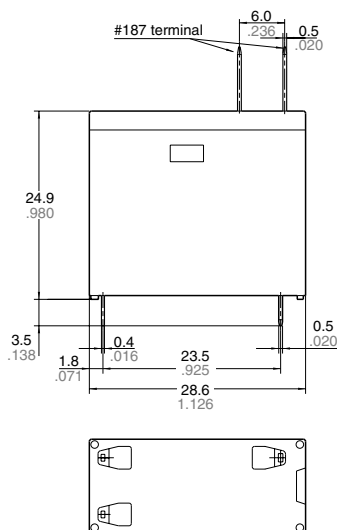


Tolerance : ±0.1 ±.004

Schematic (Bottom view)



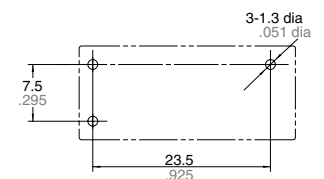
PCB side three terminals



Dimension:
 Max. 1mm .039 inch:
 1 to 3mm .039 to .118 inch:
 Min. 3mm .118 inch:

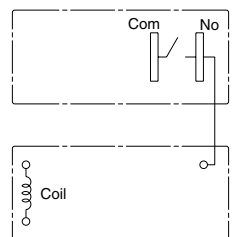
Tolerance
 ±0.1 ±.004
 ±0.2 ±.008
 ±0.3 ±.012

PC board pattern (Bottom view)



Tolerance : ±0.1 ±.004

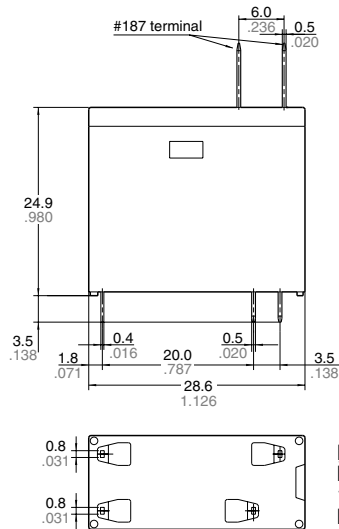
Schematic (Bottom view)



LE (ALE)

PCB side four terminals

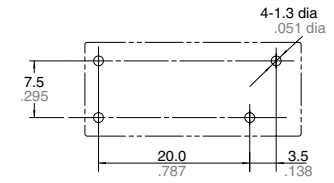
mm inch



Dimension:
 Max. 1mm .039 inch:
 1 to 3mm .039 to .118 inch:
 Min. 3mm .118 inch:

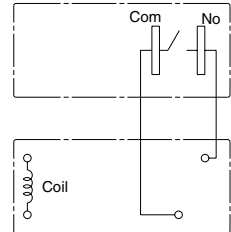
Tolerance
 $\pm 0.1 \pm 0.04$
 $\pm 0.2 \pm 0.08$
 $\pm 0.3 \pm 0.12$

PC board pattern (Bottom view)



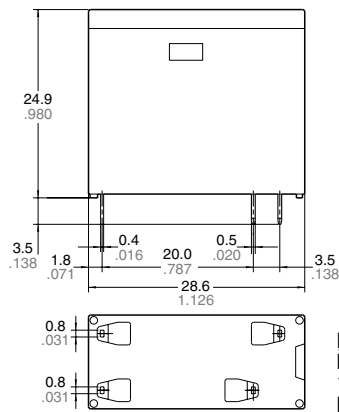
Tolerance : $\pm 0.1 \pm 0.04$

Schematic (Bottom view)



2. PCB type

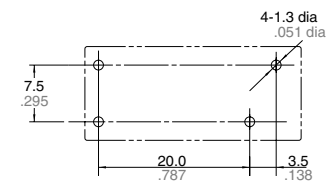
PCB side four terminals
(No tab terminals)



Dimension:
 Max. 1mm .039 inch:
 1 to 3mm .039 to .118 inch:
 Min. 3mm .118 inch:

Tolerance
 $\pm 0.1 \pm 0.04$
 $\pm 0.2 \pm 0.08$
 $\pm 0.3 \pm 0.12$

PC board pattern (Bottom view)

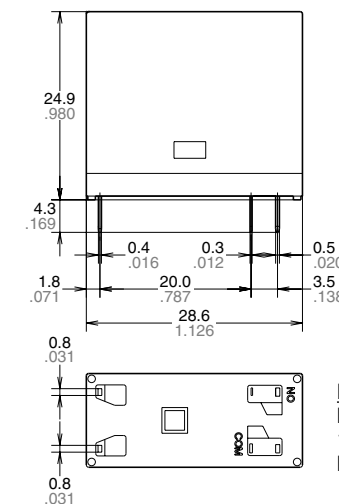


Tolerance : $\pm 0.1 \pm 0.04$

Schematic (Bottom view)



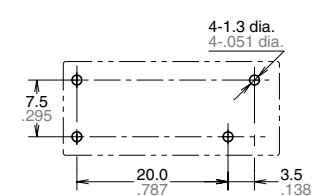
3. New PCB type



Dimension:
 Max. 1mm .039 inch:
 1 to 3mm .039 to .118 inch:
 Min. 3mm .118 inch:

Tolerance
 $\pm 0.1 \pm 0.04$
 $\pm 0.2 \pm 0.08$
 $\pm 0.3 \pm 0.12$

PC board pattern (Bottom view)



Tolerance: $\pm 0.1 \pm 0.04$

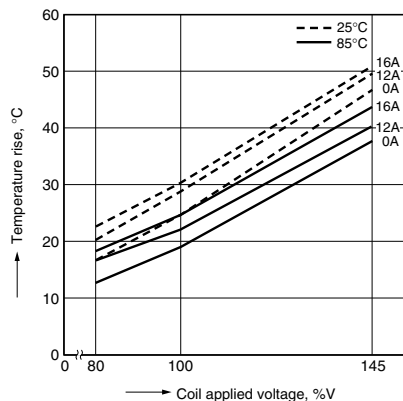
Schematic (Bottom view)



REFERENCE DATA

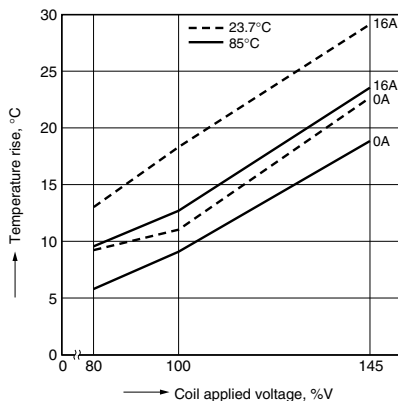
1-1. Coil temperature rise (400mW type)

Sample: ALE15B12, 6 pcs.
 Point measured: coil inside
 Ambient temperature: 25°C 77°F, 85°C 185°F

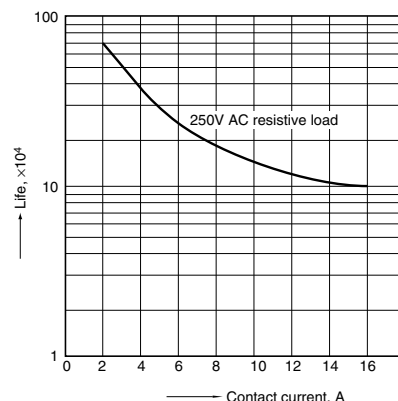


1-2. Coil temperature rise (200mW type)

Sample: ALE75B12, 6 pcs.
 Point measured: coil inside
 Ambient temperature: 23.7°C 74.66°F, 85°C 185°F

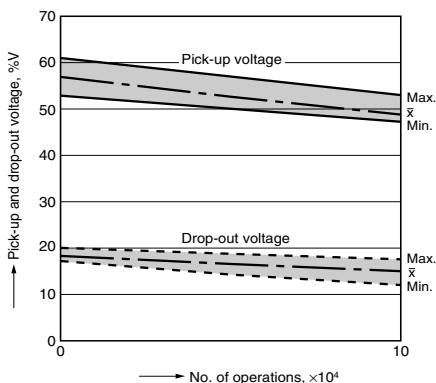
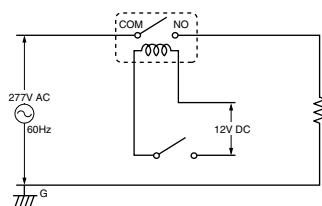


2. Life curve



3. Electrical life test (16 A 277 V AC, resistive load)

Sample: ALE15B12, 6 pcs.
 Operation frequency: 20 times/min.
 (ON/OFF = 1.5s: 1.5s)
 Ambient temperature: Room temperature
 Circuit:



For Cautions for Use, see Relay Technical Information.