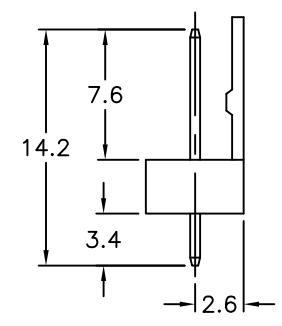
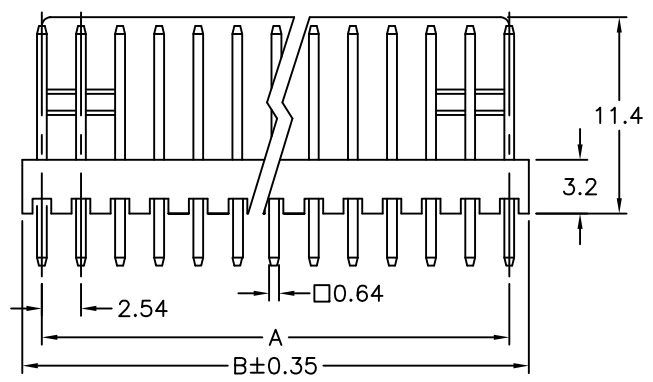
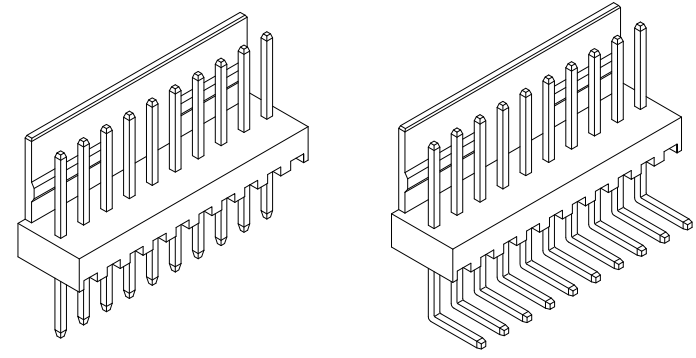
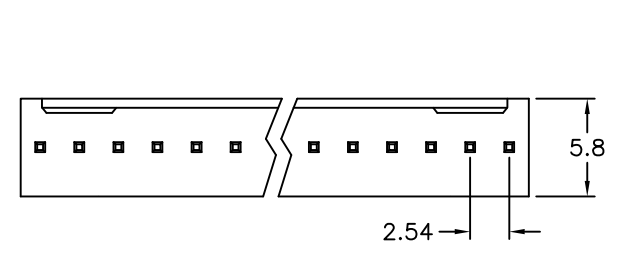
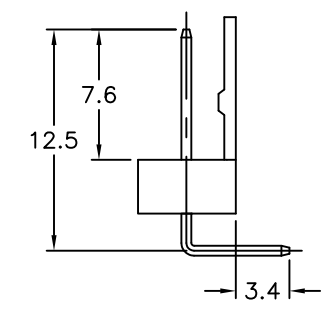


REV.	SPECIFICATION	ECN NO.	APPD.

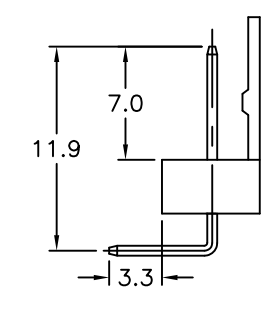
Material:
Housing: Thermoplastic Polyester UL94V-2.
Contacts: Copper Alloy.
Electrical Characteristics:
Voltage Rating: AC/DC 250V.
Current Rating: 3 AMP.
Dielectric Withstanding Voltage: AC 1000V for 1 minute.
Insulator Resistance: 1000MΩ min, at DC 500V.
Contact Resistance: 20mΩ max, at DC 100mA.
Operating Temperature: -25°C~+85°C.
***RoHS Compliant**



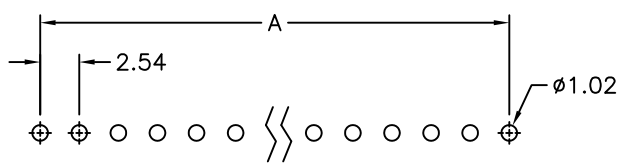
Straight



Right Angle




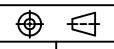
Left Angle



P.C. Board Layout
(Tolerance:±0.05)

Poles	Dimension	
	A	B
2	2.54	5.12
3	5.08	7.66
4	7.62	10.20
5	10.16	12.74
6	12.70	15.30
7	15.24	17.94
8	17.78	20.48
9	20.32	23.02
10	22.86	25.58
11	25.40	28.12
12	27.94	30.68
13	30.48	33.10
14	33.02	35.80
15	35.56	38.34
16	38.10	40.94
17	40.64	43.30
18	43.18	45.90
19	45.72	48.56
20	48.26	50.80

4071- xx T x B
Series No. of Position T: Tin Plated S: Straight B: Bulk Package
G00:G/F R: Right Angle
L: Left Angle

Tolerances	Dwg. No.	4071D01001		Title:		 OUPIIN ELECTRONIC(KUNSHAN) CO., LTD. P/N: 4071-xxTxB	
x = ±0.5	Projection			4071 Series			
.x = ±0.25	Unit	mm	Scale	Wafer 2.54mm		SHEET	
.xx = ±0.15	Drawn By	Scott 08/22'16		⑦ 704		1/1	Ver.No.
						B2	