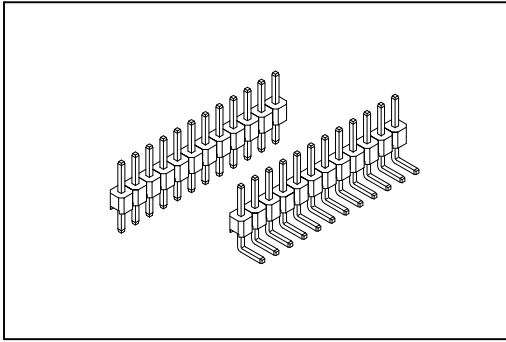


2112 Series

Pin Header 2.0mm(0.079")



Material:

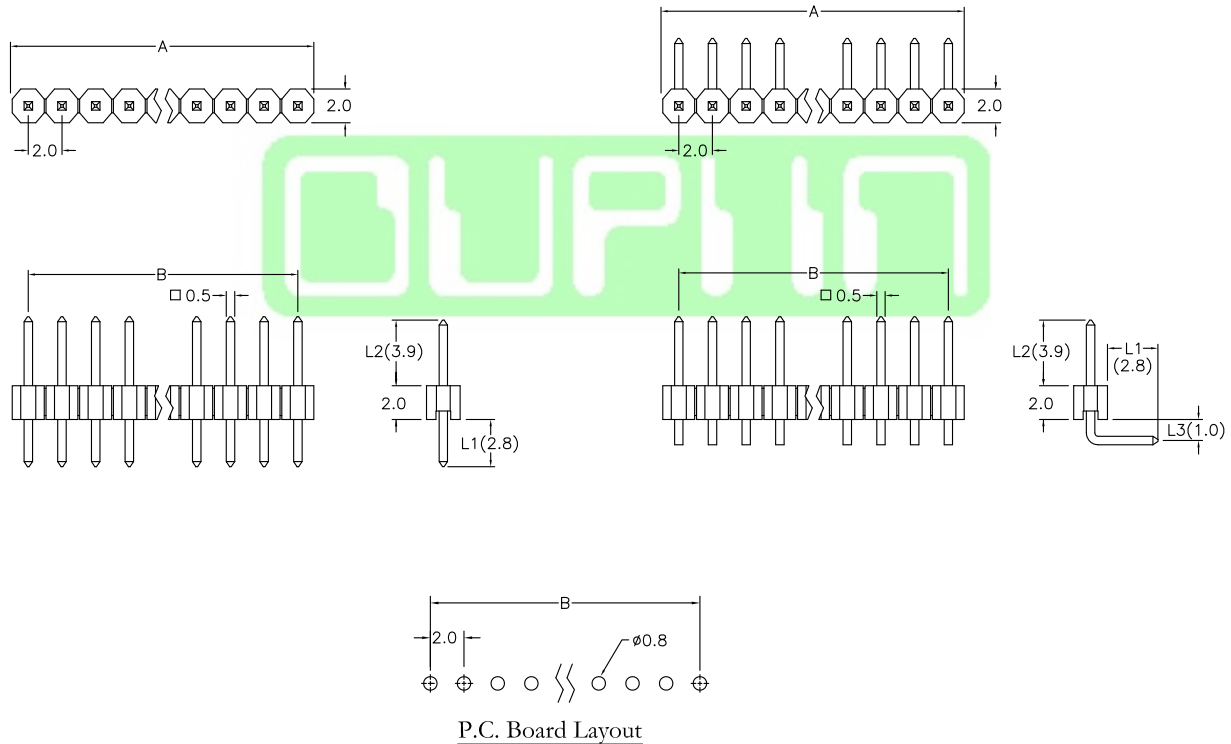
Housing: Thermoplastic Polyester Glass Filled UL94V-0.
Contacts: Copper Alloy.

Electrical Characteristics:

Current Rating: 1 A.
Dielectric Withstanding Voltage: AC 500V.
Insulator Resistance: 1000M Ω min.
Contact Resistance: 20m Ω max.
Operating Temperature: -40°C ~+105°C .

Features:

- * Low profile 2.00mm(0.079").
 - * Available in Straight and Right Angle.
 - * Side-to-side and end-to-end stackable.
 - * Custom design provides wide products flexibility.
 - * Additional plating options available.
- Mates with: 2106,2141,2143,2145.



Position Dimension	2 Thru 40
A	2.0 X No. of Positions -0.25
B	2.0 X No. of Positions -2.0

Ordering information

2112- 1 X 40 G 00 S B
 Series Single Row No. of Pin Per Row G: Gold Plated 00: G/F S: Straight B: Bulk Package
 R: Right Angle

Custom Design: Straight (i.e. 2112-1 X 40 G00S-L1-L2); Right Angle (i.e. 2112-1 X 40 G00R-L1-L2-L3).
 L1: Dip Length; L2: Mating Length; L3: Extended Length (Currently only 1.00mm available).