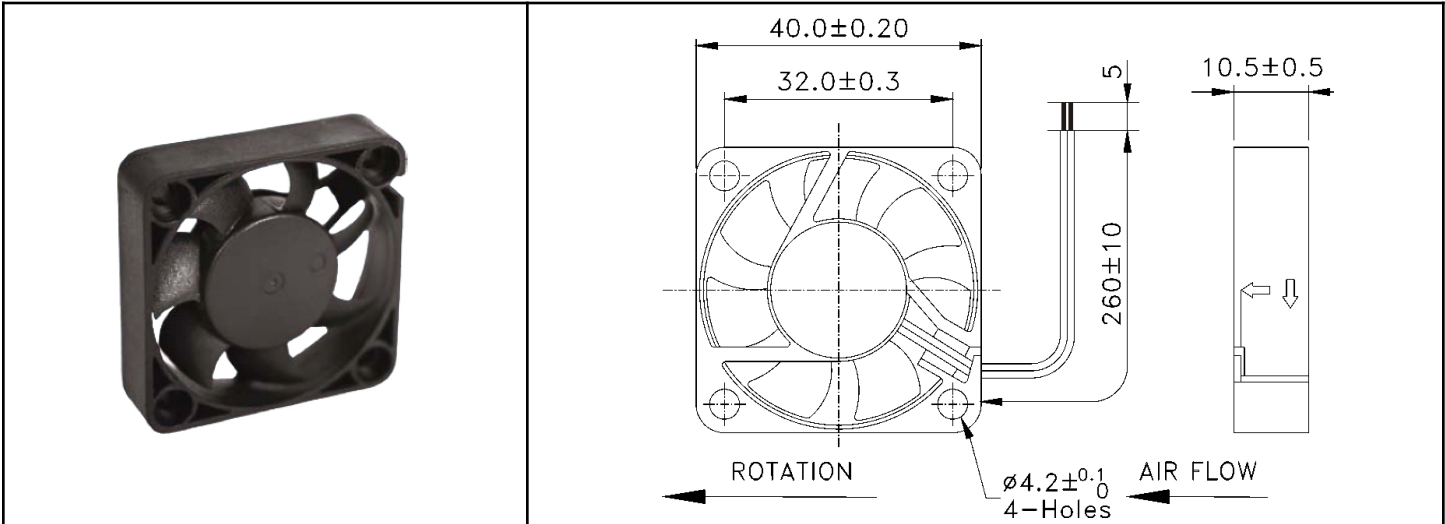


# OD4010 Series



DC Fan - 5, 12, 24V  
40x10mm (1.58"x 0.39")



Frame & Impeller	PBT, UL94V-O plastic	<b>Available Options:</b> Sleeve Bearing Ball Bearing Tachometer Alarm Thermal control  <u>Life Expectancy (L10)</u> >50,000 hrs (40C)  <u>Operating Temperature</u> -10 ~ 70C	
Connection	2x Lead wires 26AWG red(+) black (GND)		
Motor	Brushless DC, auto restart, impedance and polarity protected		
Bearing System	Sealed Sleeve		
Insulation Resistance	10M ohm between leadwire and frame (500VDC)		
Dielectric Strength	1 second at 500 VAC, max leakage - 500 MicroAmp		
Storage Temperature	-30C ~ +90C		

Model Number	Speed (RPM)	Airflow (CFM)	Noise (dB)	Volts DC	Voltage Range (VDC)	Amps	Max. Static Pressure ("H2O)
OD4010-05H SS	6000	7	25	5	4 ~ 7	0.19	0.10
OD4010-05MSS	4800	6	20	5	4 ~ 7	0.11	0.08
OD4010-05LSS	4200	5	14	5	4 ~ 7	0.08	0.06
OD4010-12HSS	6000	7	25	12	7 ~ 14	0.10	0.10
OD4010-12MSS	4800	6	20	12	7 ~ 14	0.08	0.08
OD4010-12LSS	4200	5	14	12	7 ~ 14	0.07	0.06
OD4010-24HSS	6000	7	25	24	10 ~ 27	0.09	0.10
OD4010-24MSS	4800	6	20	24	10 ~ 27	0.08	0.08
OD4010-24LSS	4200	5	14	24	10 ~ 27	0.07	0.06

To indicate sleeve bearing replace "SS" suffix with "S" in part number (25,000 hrs life expectancy)

To indicate ball bearing replace "SS" with "B" in part number (60,000 hrs life expectancy)

