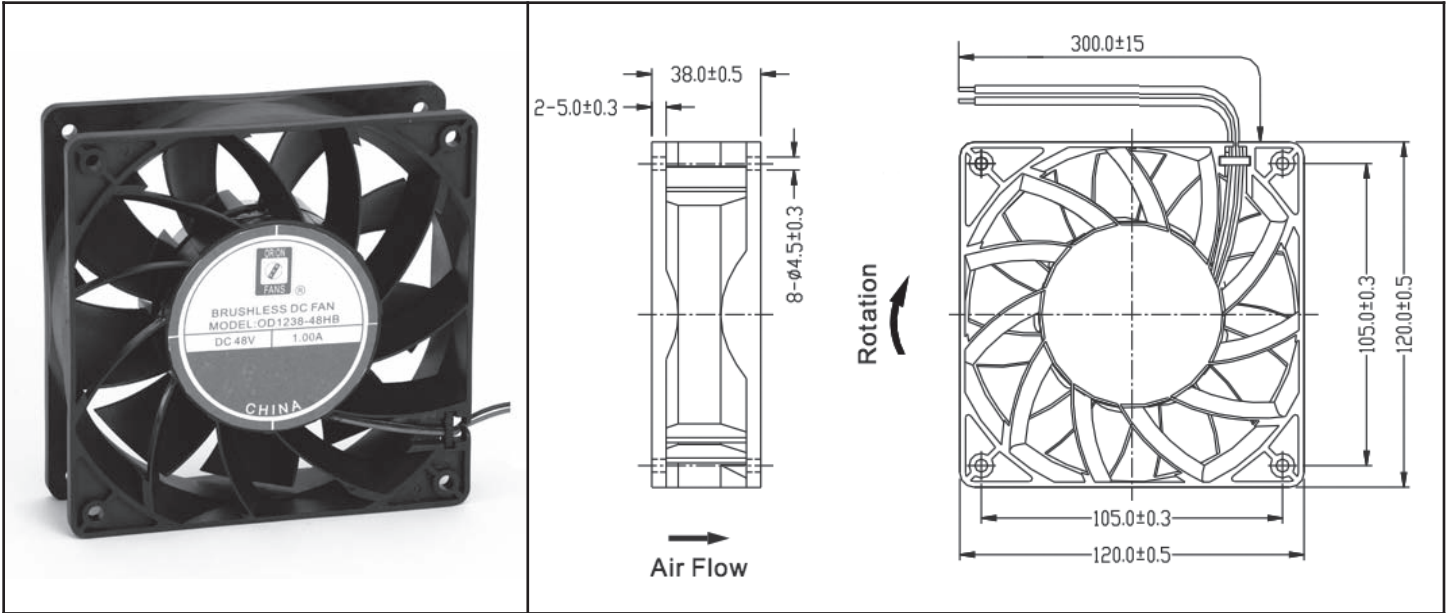


# OD1238 - 'VA Series' Vane Axial High Pressure



High Performance DC Fan  
120x38mm (4.7"x 1.5")



Frame & Impeller	PBT, UL94V-O plastic	<b>Available Options:</b>  Tachometer (Frequency Generator)  Alarm (Rotation Detector)  Thermistor (Thermal Speed Control) Lead or hub mounted	
Connection	2x Lead wires 24AWG		
Motor	Brushless DC, auto restart, impedance and polarity protected		
Bearing System	Dual ball bearing		
Insulation Resistance	10M ohm between leadwire and frame (500VDC)		
Dielectric Strength	1 second at 500 VAC, max leakage - 500 MicroAmp		
Temperature Range	-10C ~ +70C		
Life (L10)	65,000 hours (45C)	m4	

Model Number	Speed (RPM)	Airflow (CFM)	Noise (dB)	Volts DC	Voltage Range	Amps	Max. Static Pressure (H2O)
OD1238-12HB-VXC	5000	226	65	12	6~14	3.6	1.35
OD1238-12MB-VXC	4000	189	59	12	6~14	2.0	0.85
OD1238-12LB-VXC	3000	140	52	12	6~14	1.5	0.46
OD1238-24HB-VXC	5000	226	65	24	12~28	1.7	1.35
OD1238-24MB-VXC	4000	189	59	24	12~28	1.1	0.85
OD1238-24LB-VXC	3000	140	52	24	12~28	0.6	0.46
OD1238-48HHB-VXC	6000	283	70	48	24~55	1.3	1.85
OD1238-48HB-VXC	5000	226	65	48	24~55	1.0	1.35
OD1238-48MB-VXC	4000	189	59	48	24~55	0.6	0.85
OD1238-48LB-VXC	3000	140	52	48	24~55	0.4	0.46