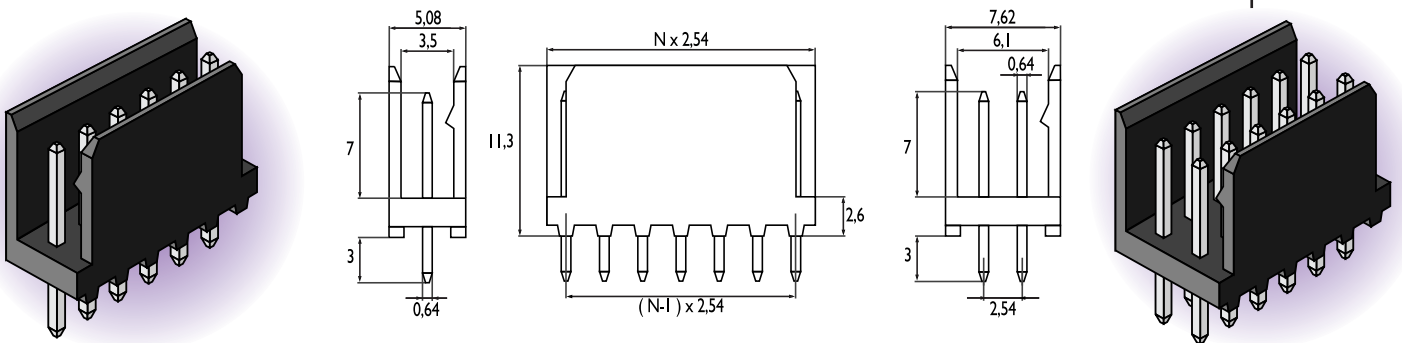


Headers and Sockets

WALLED HEADERS

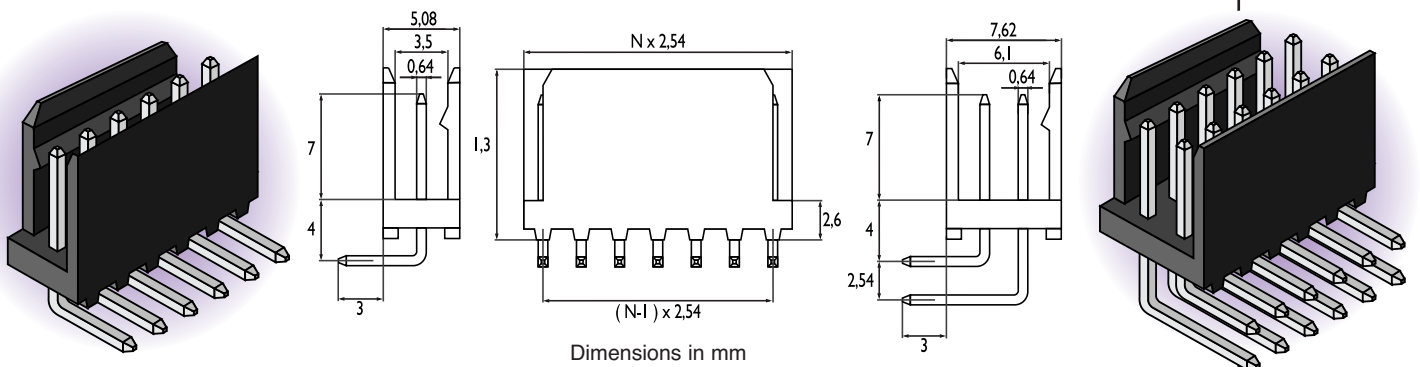
STRAIGHT SINGLE AND DOUBLE ROW



Dimensions in mm

REF.	PLATING	NUMBER OF CONTACTS XX
IY-10-111-XX-1	Tin plated	$02 \leq XX \leq 20$
IY-10-141-XX-1	Gold plated	$02 \leq XX \leq 20$
IY-20-111-XX-1	Tin plated	$04 \leq XX \leq 40$
IY-20-141-XX-1	Gold plated	$04 \leq XX \leq 40$

RIGHT ANGLE SINGLE AND DOUBLE ROW



Dimensions in mm

REF.	PLATING	NUMBER OF CONTACTS XX
IY-10-211-XX-1	Tin plated	$02 \leq XX \leq 20$
IY-10-241-XX-1	Gold plated	$02 \leq XX \leq 20$
IY-20-211-XX-1	Tin plated	$04 \leq XX \leq 40$
IY-20-241-XX-1	Gold plated	$04 \leq XX \leq 40$