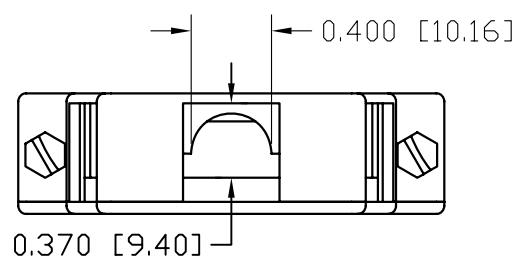
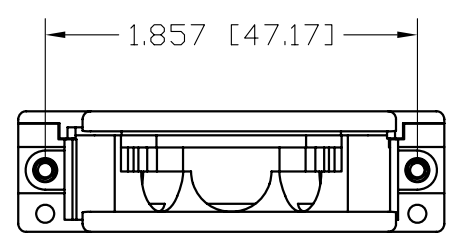
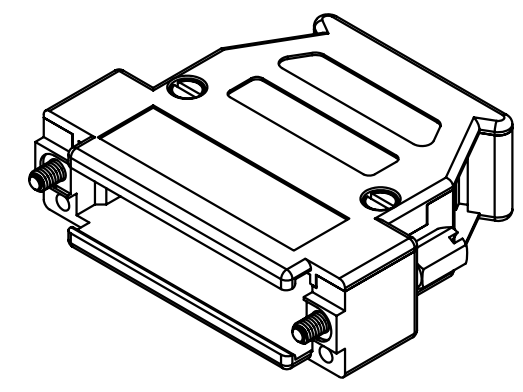
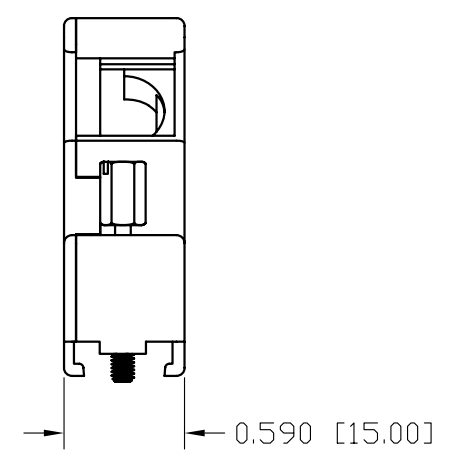
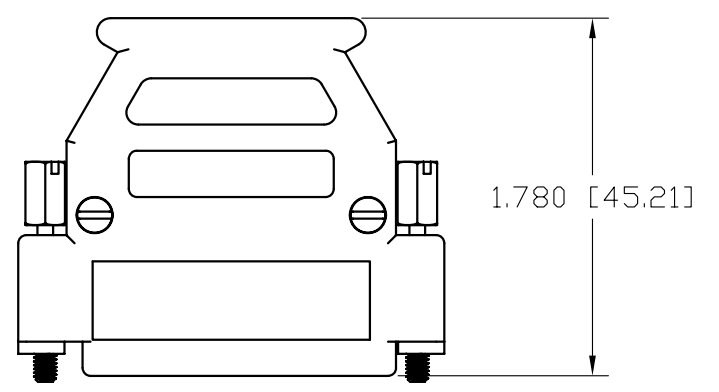
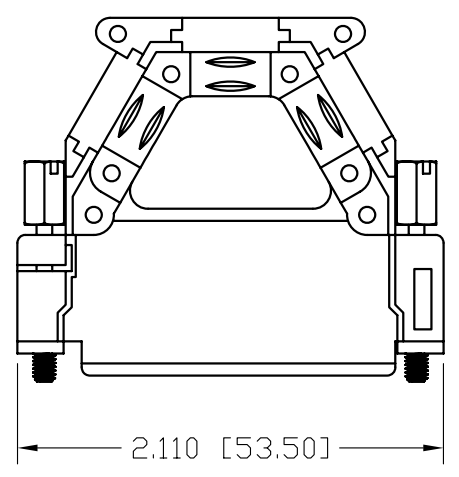


REVISIONS				
ZONE	REV	DESCRIPTION	DATE	APPROVED



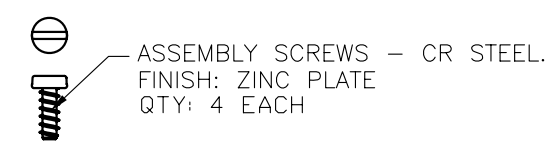
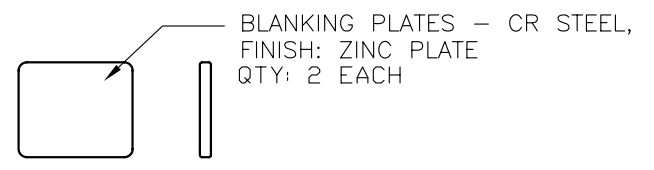
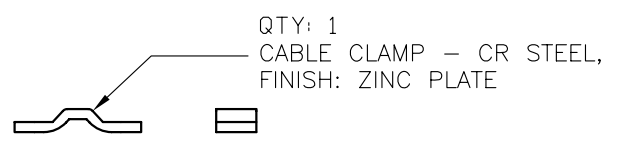
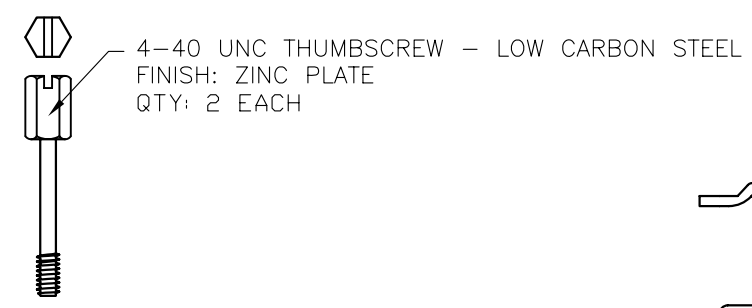
BACK VIEW

PART NUMBER INFORMATION

PART#	LOGO STYLE	SUPPLIED
MHDE3MK25KS	NO LOGO	PACKAGED

CONNECTOR COVER:

- 1.MATERIAL: PLATING GRADE ABS
- 2.FINISH: NICKEL OVER COPPER UNDER-PLATE
- 3.DIMENSIONS: INCHES [MM]
- 4.TOLERANCE: ±0.015 [0.381]



UNLESS OTHERWISE SPECIFIED 1. ALL DIMENSIONS ARE IN INCHES (MM) 2. DIMENSIONS ARE TYPICAL		Northern Technologies <small>THIS DRAWING IS THE PROPERTY OF NORTHERN TECHNOLOGIES AND SHOULD NOT BE REPRODUCED WITHOUT NORTHERN TECHNOLOGIES WRITTEN PERMISSION.</small>		
DRAWN Luis C. 16-JUL-08		PART NUMBER SEE PART NUMBER INFORMATION DESCRIPTION CMP3 25 3 WAY EXIT METALIZED PLASTIC COVER		
CHECKED JSD 16-JUL-08	ISSUED 25-JUL-08	SIZE B	CODE 200_120	DWG NO. 0002-200-120
SCALE N.T.S.			SHEET 1 OF 1	