

DESCRIPTION: .100 CENTER SHUNT - OPEN TOP

MATERIALS:
 INSULATING MATERIAL: POLYAMIDE
 CONTACT: PHOSPHOR BRONZE

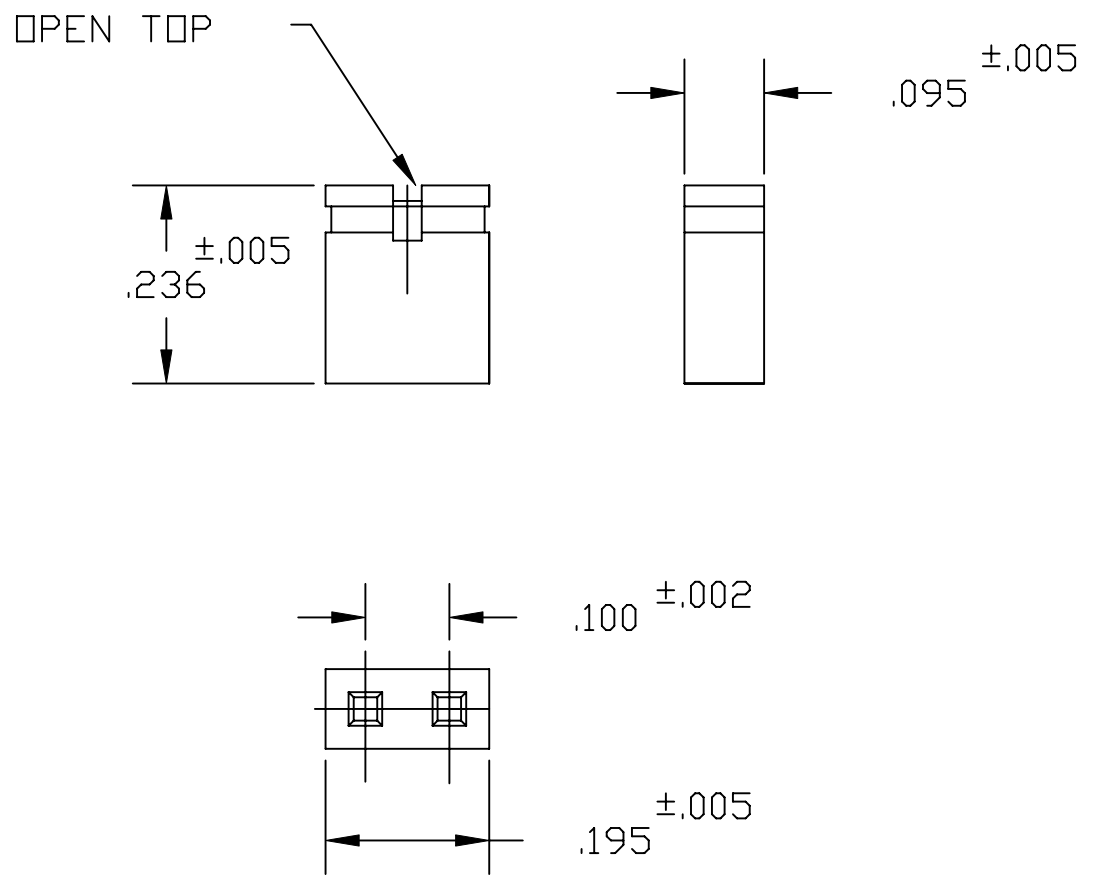
ELECTRICALS:
 CONTACT RATING: 3 AMPS
 CONTACT RESISTANCE: 7 MILLIOHMS TYPICAL
 DIELECTRIC STRENGTH: 1000V AC RMS
 INSULATION RESISTANCE: 5000 MEGOHMS MIN.
 OPERATING TEMPERATURE: -40°C TO 150°C

SPECIFICATIONS:
 RoHS COMPLIANT

4167-03-00RP1

PLATING: 1 = GOLD OVER NICKEL

RoHS COMPLIANT



	THESE DRAWINGS AND SPECIFICATIONS ARE THE PROPERTY OF NorComp AND SHALL NOT BE REPRODUCED, COPIED OR USED AS THE BASIS FOR THE MANUFACTURE OF SALE OF APPARATUS WITHOUT WRITTEN PERMISSION.		DRAWN: PAM JENKINS	DATE: 4-13-05
			CHECKED:	DATE:
<h1>NorComp</h1>		SCALE:	SHEET 1 OF 1	REV 2
		DWG NO. 4167-03-00RP1		