

General Specifications

Motor Protection:

Auto Restart/Polarity Protection

Insulation Resistance:

10M Ω or over with a DC500V Megger

Dielectric Withstand Voltage: AC 700V 1s

Allowable Ambient Temperature Range:

-10°C ~ +70°C (Operating)

-40°C ~ +70°C (Storage)

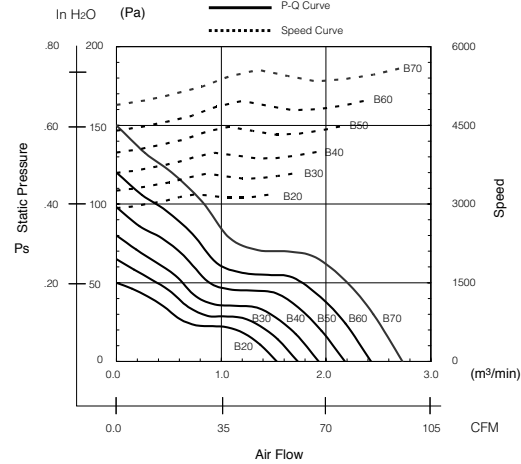
(non-condensing environment)

Expected Life

Failure Rate: 10%

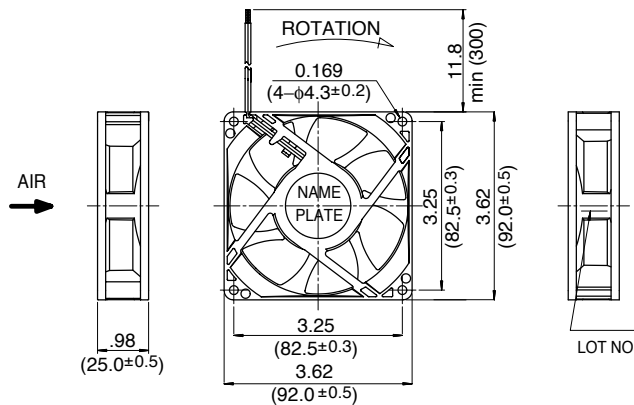
25°C 100,000 Hours (B00/E00)

Characteristic Curves

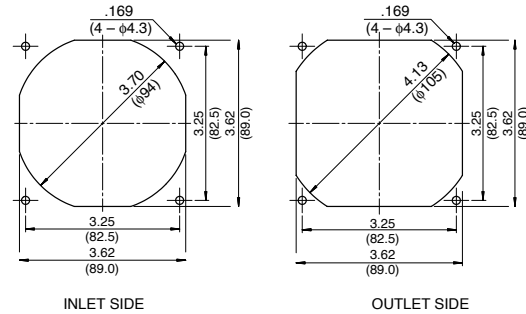


Outline

Units: $\frac{\text{inch}}{\text{mm}}$



Panel Cut-outs



Material

- Casing : Plastic (Black) 94V-0
- Impeller : Plastic (Black) 94V-0
- Bearing : Ball Bearing
- Lead Wire: UL3385, AWG26, +Red, -Black

Specifications

MODEL	Product No.	Rated Voltage	Operating Voltage	Current	Input Power	Speed	Max. Air Flow		Max. Static Pressure		Noise	Mass
		(V)	(V)	(A) ^{*1}	(W) ^{*1}	(min ⁻¹) ^{*1}	CFM ^{*1}	(m ³ /min) ^{*1}	in H ₂ O	(Pa) ^{*1}	(dB) ^{*1}	(g)
3610VL-04W-B20-	B/EXX	12	7.0 ~ 13.8	0.18	2.16	3200	54.0	1.53	.20	50	35.5	135
3610VL-04W-B30-	B/EXX	12	7.0 ~ 13.8	0.24	2.88	3600	61.1	1.73	.26	65	38.5	135
3610VL-04W-B40-	B/EXX	12	7.0 ~ 13.8	0.30	3.60	4000	68.1	1.93	.32	80	42.0	135
3610VL-04W-B50-	B/EXX	12	7.0 ~ 13.8	0.40	4.80	4500	77.0	2.18	.39	98	45.0	135
3610VL-04W-B60-	B/EXX	12	7.0 ~ 13.8	0.52	6.24	5000	85.8	2.43	.48	120	48.0	135
3610VL-04W-B70-	B/EXX	12	7.0 ~ 13.8	0.72	8.64	5600	96.4	2.73	.60	150	51.0	135
3610VL-05W-B20-	B/EXX	24	14.0 ~ 27.6	0.11	2.64	3200	54.0	1.53	.20	50	35.5	135
3610VL-05W-B30-	B/EXX	24	14.0 ~ 27.6	0.14	3.36	3600	61.1	1.73	.26	65	38.5	135
3610VL-05W-B40-	B/EXX	24	14.0 ~ 27.6	0.17	4.08	4000	68.1	1.93	.32	80	42.0	135
3610VL-05W-B50-	B/EXX	24	14.0 ~ 27.6	0.22	5.28	4500	77.0	2.18	.39	98	45.0	135
3610VL-05W-B60-	B/EXX	24	14.0 ~ 27.6	0.28	6.72	5000	85.8	2.43	.48	120	48.0	135
3610VL-05W-B70-	B/EXX	24	14.0 ~ 27.6	0.38	9.12	5600	96.4	2.73	.60	150	51.0	135

Rotation: Clockwise

Airflow Outlet: Air Out Over Struts

*1: Average Values in Free Air