

## General Specifications

### Motor Protection:

Auto Restart/Polarity Protection

### Insulation Resistance:

10M Ω or over with a DC500V Megger

### Dielectric Withstand Voltage: AC 700V 1s

### Allowable Ambient Temperature Range:

-10°C ~ +70°C (Operating)

-40°C ~ +70°C (Storage)

(non-condensing environment)

IP Code: IP69K

## Expected Life

25°C 100,000 Hours (L10)

## Material

Casing : Plastic (Black) UL94V-0

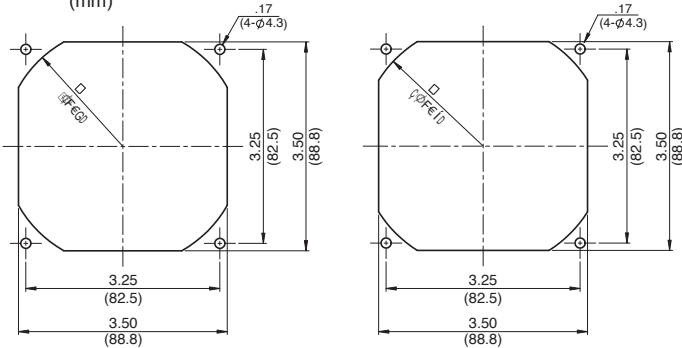
Impeller : Plastic (Black) UL94V-0

Bearing : Ball Bearing

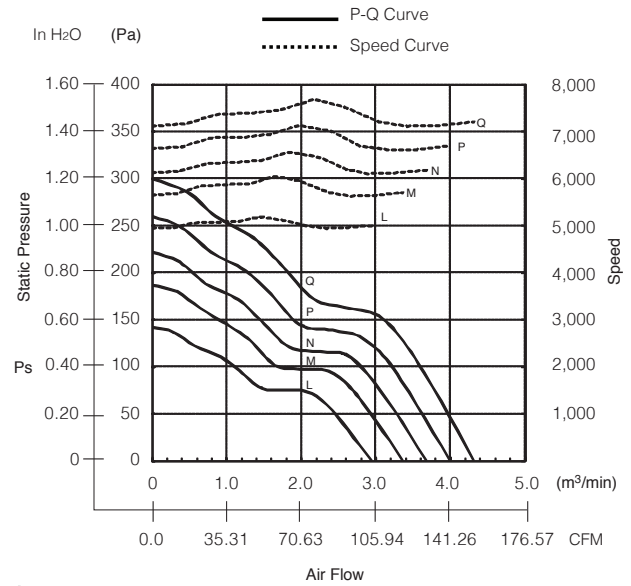
Lead Wire : UL3385, AWG26, +Red, -Black

## Panel Cut-Outs

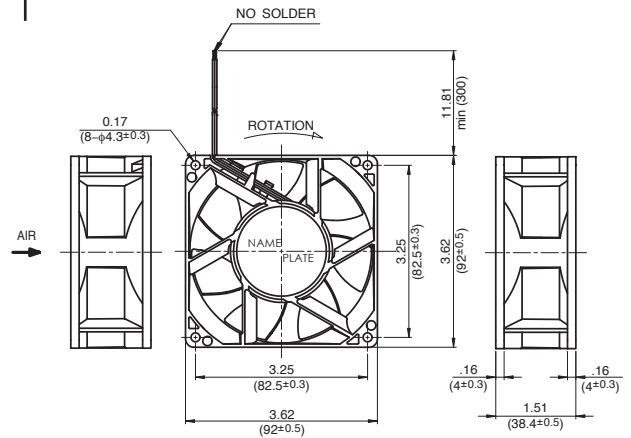
Units: inch (mm)



## Characteristic Curves



## Outline



## Specifications

MODEL	Rated Voltage	Operating Voltage	Current	Input Power	Speed	Max. Air Flow		Max. Static Pressure		Noise	Mass
	(V)	(V)	(A) <sup>*1</sup>	(W) <sup>*1</sup>	(min <sup>-1</sup> ) <sup>*1</sup>	CFM <sup>*1</sup>	(m <sup>3</sup> /min) <sup>*1</sup>	in H <sub>2</sub> O	(Pa) <sup>*1</sup>	(dB) <sup>*1</sup>	(g)
09238RA-24L-GA-00	24	14.0 ~ 27.6	0.40	9.60	5000	103.83	2.94	0.57	142.0	52.5	250
09238RA-24M-GA-00	24	14.0 ~ 27.6	0.56	13.44	5700	118.66	3.36	0.75	187.0	56.5	250
09238RA-24N-GA-00	24	14.0 ~ 27.6	0.71	17.04	6200	129.96	3.68	0.89	222.0	59.0	250
09238RA-24P-GA-00	24	14.0 ~ 27.6	0.92	22.08	6700	141.26	4.00	1.04	260.0	61.0	250
09238RA-24Q-GA-00	24	14.0 ~ 26.4	1.13	27.12	7200	152.56	4.32	1.20	300.0	62.5	250