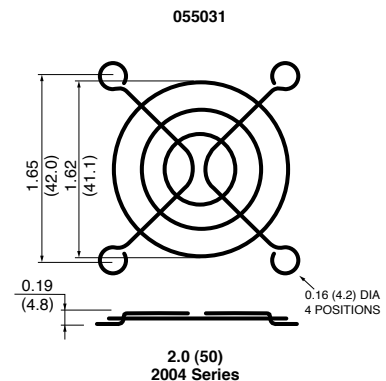
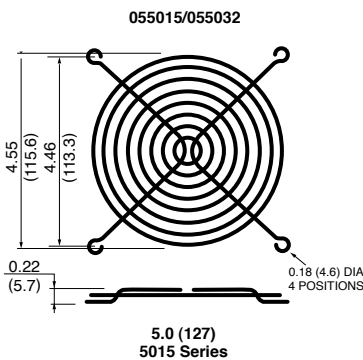
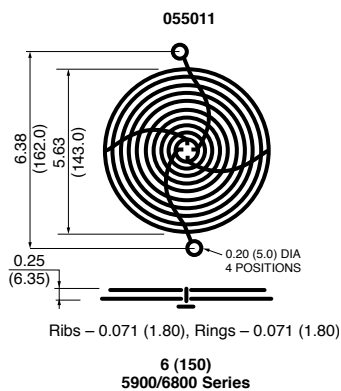
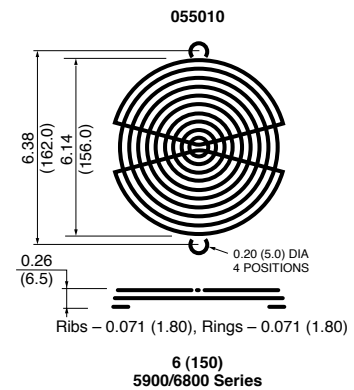
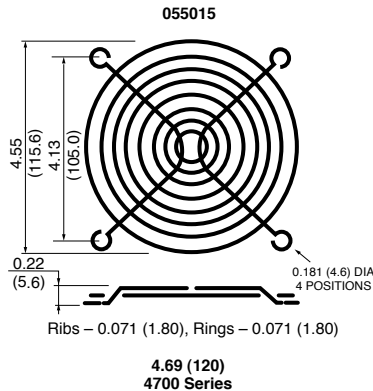
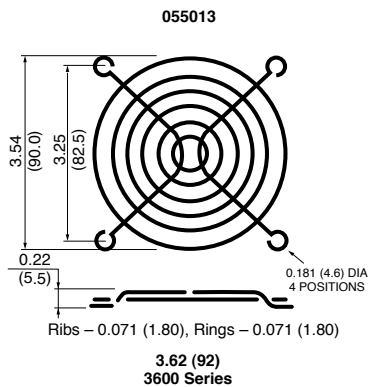
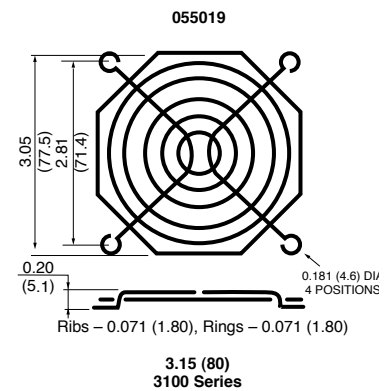
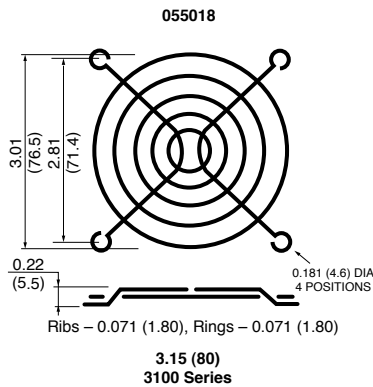
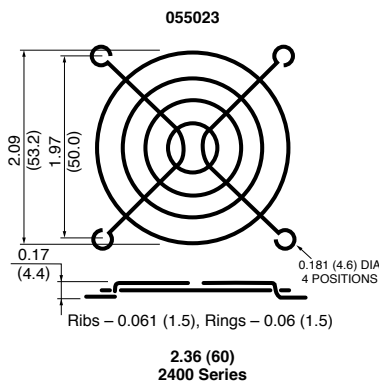
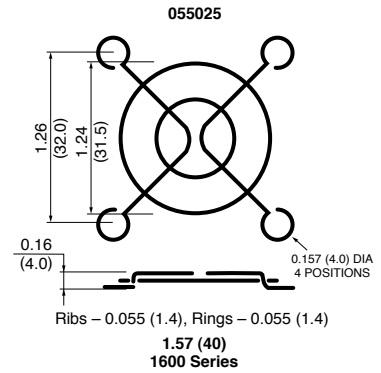


Fan Guards

- Designed to insure safety
- Plating bright nickel chrome, black electro deposit available
- Plating thickness of .0005 min.
- Weld joints withstand 230 lbs. separation force
- Wire base C1010 steel



Fan Guards/Mounting Clips/Cord Sets

Fan Mode	Fan Guards Part Number										Mounting Clips Part Number			Cord Sets Part Number		
	055010	055011	055013	055015	055018	055019	055023	055025	055031	055032	512011	512020	512023	432000	432002	432021
1004KL																
1204KL																
1404KL																
1604KL																
1606KL																
1608KL																
2004KL																
2106KL																
2406KL																
2408NL																
2410ML																
2410ML Vented																
3108NL																
3110KL																
3112KL																
3610KL																
3610KL Vented																
3612KL																
3615KL																
4710KL																
4712KL																
4715KL																
4715SL																
5015KL																
5020KL																
5910PL																
5920PL																
6820PL																
2412PS																
3110PS																
3115FS																
3115PS																
3610PS																
4710PS																
4715FS																
4715MS																
5915PC																