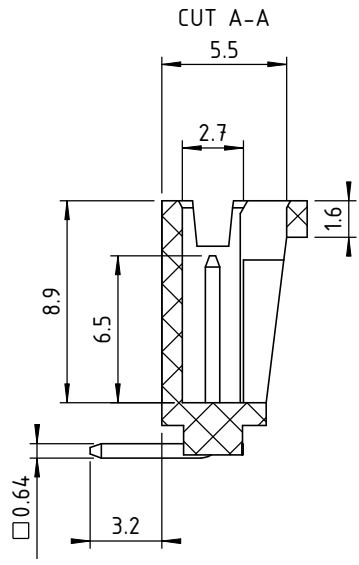
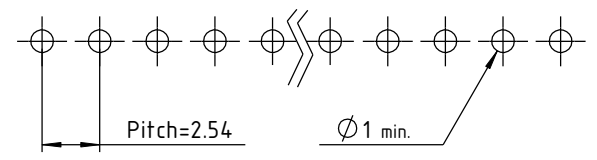
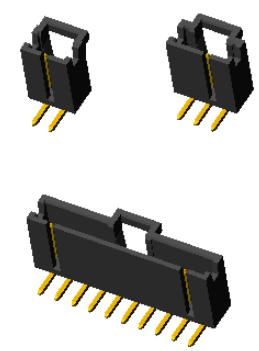


PCB layout recommended :



3D view scale 1 : 1



XX : Number of points : 02 to 25 points

**TECHNICAL DATA**

**INSULATOR**

Glass filled plastic UL94 V0



**PLATING**

Y = 1 Tin plated (thickness : Ni 2 $\mu$  + Sn 5 $\mu$ )  
 Y = 4 Gold plated (thickness : Ni 1.25 $\mu$  mini. + Flash Au 0.1 $\mu$ )

**MECHANICAL SPECIFICATIONS**

**Mechanical endurance :**  
 50 operations with tin plated  
 500 operations with gold plated

**Insertion Force :**  
 3 N max. with tin plated  
 1.5 N max. with gold plated

**ELECTRICAL SPECIFICATIONS**

Contact resistance : 20m $\Omega$  max.  
 AC current rating per contact 3A  
 Min. withstanding voltage 500V RMS  
 Min. insulator resistance 1000 M $\Omega$

**THERMAL SPECIFICATIONS**

Connectors operating temperature : -40°C to +150°C

 www.nicomatic.com Mail : nicomatic@nicomatic.fr Tel : +33 (0)4.50.36.13.85	2	18/12/08	C.G.	E.M.	D.Z.
	Iss	Date	Drawn	Checked	Approved
Folder : X:\Méthodes\Plans clients\Plans clients 2D\31 - Connecteurs et dérivés HE13-HE14\03-Connecteurs\1L-10-2Y1-XX-1_cl					
Item : Walled header, right angle single row					

This document and drawings, sketches, and schematic drawings are the property of the NICOMATIC company, and no parts thereof may be reproduced and used without the written consent of the owner. Law dated 11.03.1902

Catalogue Reference : **1L-10-2Y1-XX-1**

	General tolerance	$\pm 0.1$	Scale	3:1	Page	1/1
--	-------------------	-----------	-------	-----	------	-----