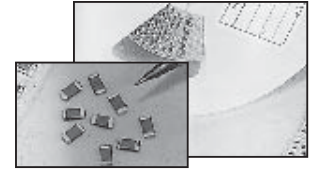


FEATURES

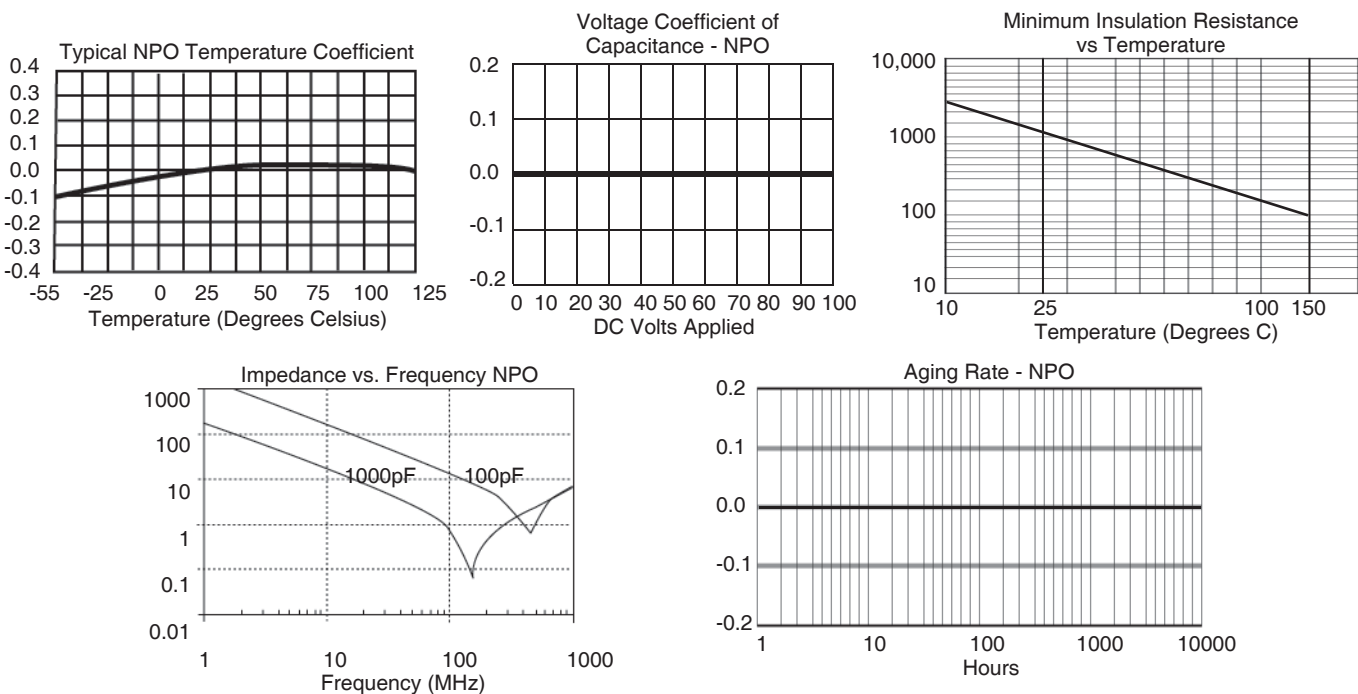
- CLASS I DIELECTRIC, TEMPERATURE COMPENSATING
- HIGH STABILITY OVER TIME, VOLTAGE AND TEMPERATURE CHANGES
- LOW DIELECTRIC LOSS
- NICKEL BARRIER TERMINATIONS AND EXCELLENT MECHANICAL STRENGTH

**Expanded
01005
Case Size**

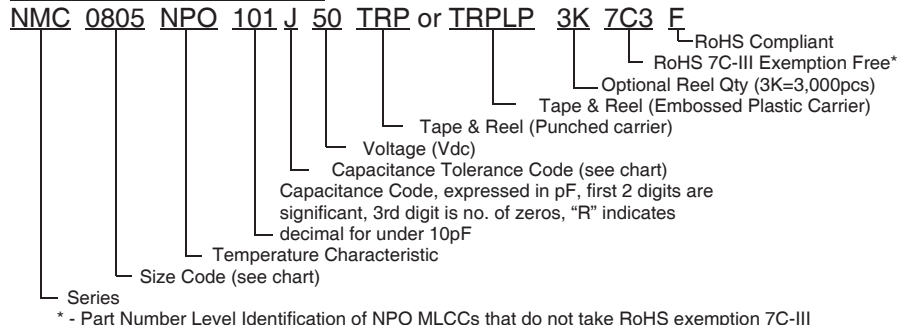


SPECIFICATIONS NPO

Capacitance Range	0.47pF to 0.068μF
Capacitance Tolerance	Below 10pF: ±0.1pF(B), ±0.25pF(C), ±0.5pF(D) 10pF and above: ±1%(F), ±2%(G), ±5% (J)
Operating Temperature Range	-55°C ~ +125°C
Temperature Characteristics	0 ± 30ppm/°C
Rated Voltages	25Vdc, 35Vdc, 50Vdc (see NMC-H Series for higher voltages)
Dissipation Factor	For values >30pF 0.1% @ 25°C; For values ≤ 30pF Q=400+20 x C (C in pF)
Insulation Resistance	10,000Megohms min. or 500Megohm/μF (min.), whichever is less @ +25°C
Dielectric Withstanding Voltage	250% of Rated Voltage for 5 ± 1 seconds, 50mA maximum current
Test Conditions (EIA-198-2E)	<1000pF; 1MHz, 1.2Vrms max. or >1000pF; 1KHz, 1.2Vrms max.



PART NUMBER SYSTEM

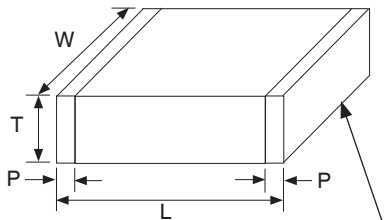


Multilayer Ceramic Chip Capacitors

NMC Series NPO

EIA Case Size	01005
Length (L)	0.4±0.02
Width (W)	0.2±0.02
Thickness max. (T)	0.22
Termination Width (P)	0.1±0.03
Capacitance	Working Voltage (Vdc)
	16
0.5pF	
1.0pF	
1.5pF	
2.0pF	
3.0pF	
4.0pF	
5.0pF	
6.0pF	
7.0pF	
8.0pF	
9.0pF	
10pF	
12pF	
15pF	
18pF	
22pF	
27pF	
33pF	
39pF	
47pF	
56pF	
68pF	
82pF	
100pF	

EIA Case Size	0201	0402	0603	0805													
Length (L)	0.6±0.03	1.0±0.05	1.6±0.15	2.0±0.2													
Width (W)	0.3±0.03	0.5±0.05	0.8±0.15	1.25±0.2													
Thickness max. (T)	0.33	0.6	1.0	1.35													
Termination Width (P)	0.15±0.05	0.2±0.1	0.12 ~ 0.51	0.25 ~ 0.71													
Capacitance	Working Voltage (Vdc)																
	10	16	25	50	16	25	50	100	16	25	50	100	16	25	50	100	
0.47pF ~ 22pF																	
24pF																	
27pF																	
30pF																	
33pF																	
36pF																	
39pF																	
43pF																	
47pF																	
51pF																	
56pF																	
62pF																	
68pF																	
75pF																	
82pF																	
91pF																	
100pF																	
110pF																	
120pF																	
130pF																	
150pF																	
160pF																	
180pF																	
200pF																	
220pF																	
240pF																	
270pF																	
300pF																	
330pF																	
360pF																	
390pF																	
430pF																	
470pF																	
510pF																	
560pF																	
620pF																	
680pF																	
750pF																	
820pF																	
910pF																	
0.001µF																	
0.0012µF																	
0.0015µF																	
0.0018µF																	
0.0022µF																	
0.0027µF																	*
0.0033µF																	*
0.0039µF																*	*
0.0047µF																*	
0.0056µF															*	*	
0.0068µF															*	*	
0.0082µF															*	*	



100% Sn over Ni barrier
(CONSULT FACTORY FOR CAPACITANCE VALUES NOT LISTED)

*1.45mm maximum thickness

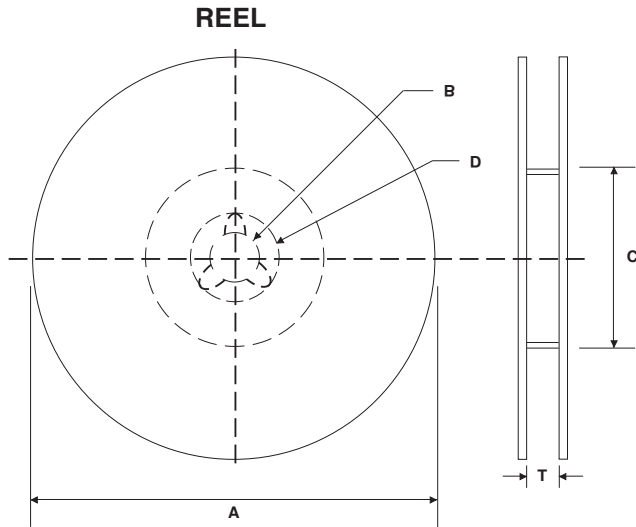


EIA Case Size	0805				1206				1210				1812			2225				
Length (L)	2.0±0.2				3,2±0.2				3.2±0.2				4.5±0.3			5.70±0.4				
Width (W)	1.25±0.2				1.6±0.2				2.5±0.2				3.2±0.25			6.35±0.25				
Thickness max. (T)	1.45				1.80				1.80				1.80			1.80				
Termination Width (P)	0.25 ~ 0.71				0.25 ~ 0.71				0.25 ~ 0.71				0.25 ~ 0.76			0.25 ~ 1.02				
Capacitance	Working Voltage (Vdc)																			
	16	25	50	100	10	16	25	50	100	10	16	25	50	100	25	50	100	50	100	
0.47pF ~ 9.1pF																				
10pF ~ 22pF																				
24pF ~ 0.001µF																				
0.0012µF																				
0.0015µF																				
0.0018µF																				
0.0022µF																				
0.0027µF																				
0.0033µF																				
0.0039µF																				
0.0047µF																				
0.0056µF																				
0.0068µF																				
0.0075µF																				
0.0082µF																				
0.0091µF																				
0.01µF																				
0.012µF																				
0.015µF								*												
0.018µF																				
0.022µF																				**
0.027µF																				**
0.033µF																				**
0.039µF																				**
0.047µF																				
0.056µF																				

*1.90mm maximum thickness, **2.60mm maximum thickness

**See NMC High Capacitance datasheet for higher capacitance values
or NMC-H High Voltage datasheet for higher voltage ratings**





REEL DIMENSIONS (mm)

Reel Diameter (A)	B	C	D	T max.
7" (178 ± 2.0)	13 ± 0.5	50 min.	21 ± 1.0	8.4 +1.0/-0 (1812 case size 12.4 +2.0/-0)
10" (250 ± 2.0)		100 ± 1.0		
13" (330 ± 2.0)		100 ± 1.0		

7 INCH REEL QUANTITIES*

Size	01005	0201	0402	0603	0805	1206	1210	1812
Tape Size	8mm	8mm	8mm	8mm	8mm	8mm	8mm	12mm
Min. Qty Per Reel	20,000	20,000	10,000	4,000	4,000	4,000	2,000	1,000
Max. Qty Per Reel	20,000	20,000	10,000	4,000	5,000	5,000	5,000	2,000

*Quantity dependent on chip thickness. Contact NIC for reel quantities on larger diameter reels.

CARRIER TAPE MATERIAL

Parts with a thickness of ≥1mm will be taped on embossed plastic carrier. Parts with a thickness of less than 1mm will be taped on paper carrier

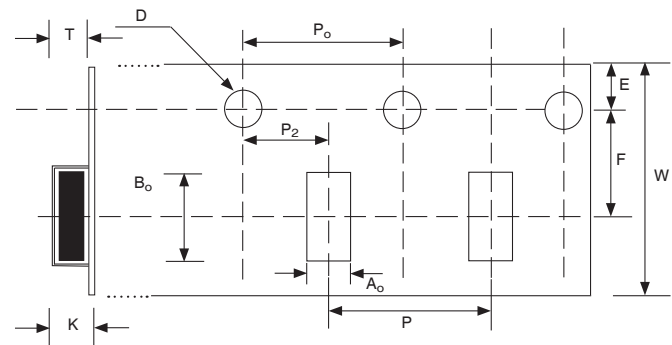
EMBOSSED PLASTIC CARRIER TAPE DIMENSIONS (mm)

Tape Size	W	F	E	P ₀	P ₂	D	K max.	T max.	P
8mm	8.0 ± 0.2	3.5 ± 0.05	1.75 ± 0.10	4.0 ± 0.1	2.0 ± 0.5	1.5 ^{+0.1} _{-0.0}	3.0	2.0	4.0 ± 0.1
12mm	12 ± 0.2	5.5 ± 0.05						4.5	8.0 ± 0.1

Notes:

- Specifications are in compliance with EIA RS481-1-A "Taping of surface Mount Components for Automatic Placement"
- Dimensions A₀ (max.) equals component width dimension plus 0.5mm
- Dimension B₀ (max.) equals component length dimension plus 0.5mm

EMBOSSED PLASTIC CARRIER TAPE



See notes 2 & 3 regarding dimensions A₀ and B₀

PUNCHED CARRIER TAPE DIMENSIONS (mm)

Type	A ₀	B ₀	W	F	E	P1	P0	D0	T1 max.	T2 max.	Mounting Hole
01005	0.25 ± 0.04	0.45 ± 0.04	8.0 ± 0.3	3.5 ± 0.05	1.75 ± 0.1	2.0 ± 0.05	4.0 ± 0.1	1.5 ^{+0.1/-0.0}	0.27	0.36	Angular Punch Hole
0201	0.37 ± 0.03	0.67 ± 0.05							0.45	0.80	
0402	0.65 ± 0.05	1.15 ± 0.05							1.1	1.4	
0603	1.1 ± 0.2	1.9 ± 0.2				4.0 ± 0.10			1.1	1.4	
0805	1.65 ± 0.2	2.4 ± 0.2									
1206	2.0 ± 0.2	3.6 ± 0.2									

PUNCHED CARRIER TAPE

