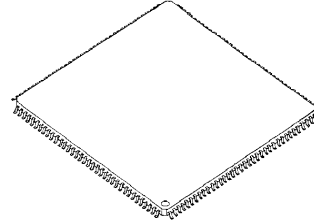


16COM x 100SEG 1/16 Duty BITMAP LCD Driver

■ GENERAL DESCRIPTION

The NJU6573 is a 16-common x 100-segment bitmap LCD driver to display graphics or characters. It incorporates 16 common driver circuits and 100 segment driver circuits. The NJU6573 can display a 16 x 100 dots graphic or 2-line by 20-character (5 x 7 dots per character). In addition, the NJU6573's useful functions meet a wide range of applications.

PACKAGE OUTLINE

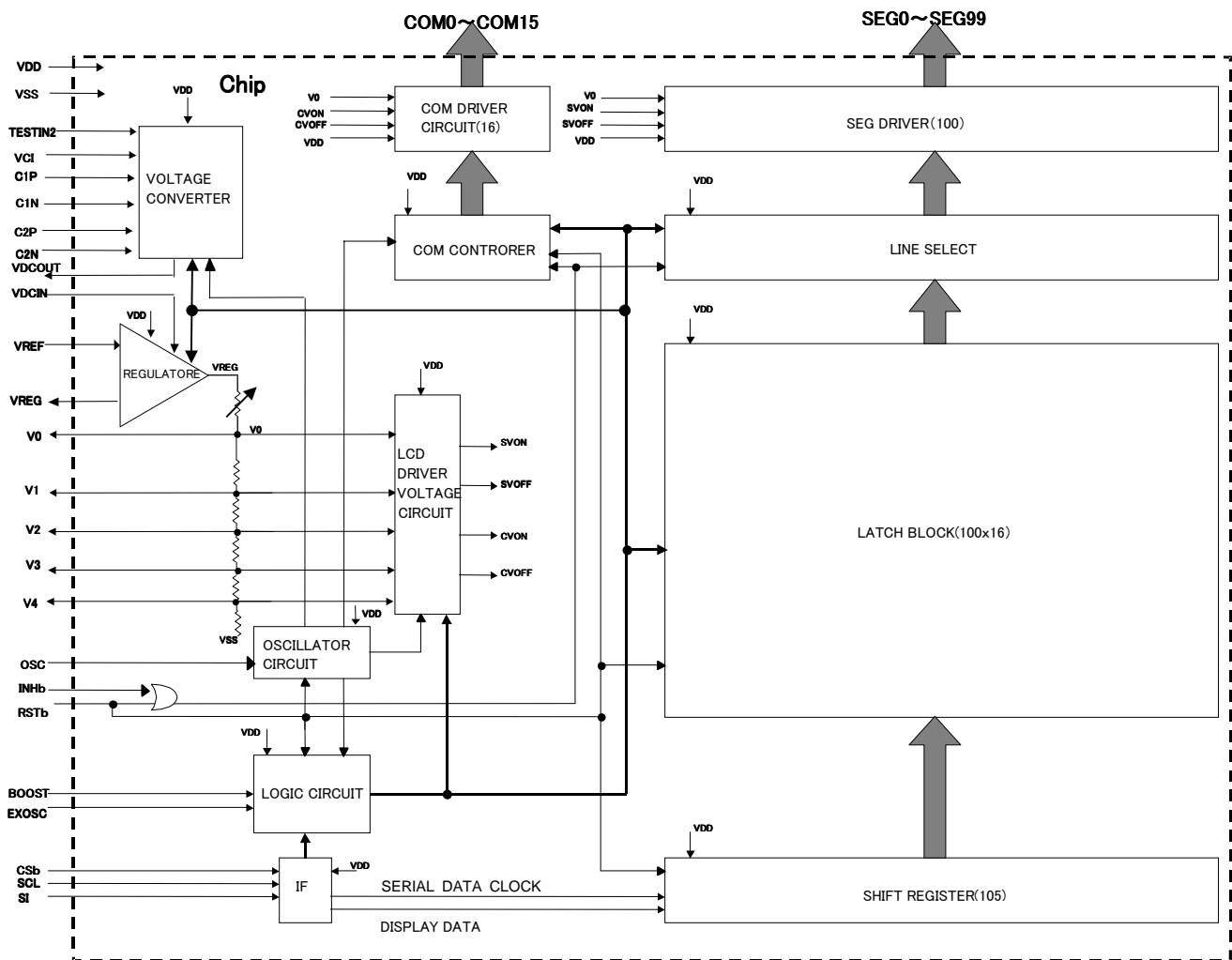


NJU6573

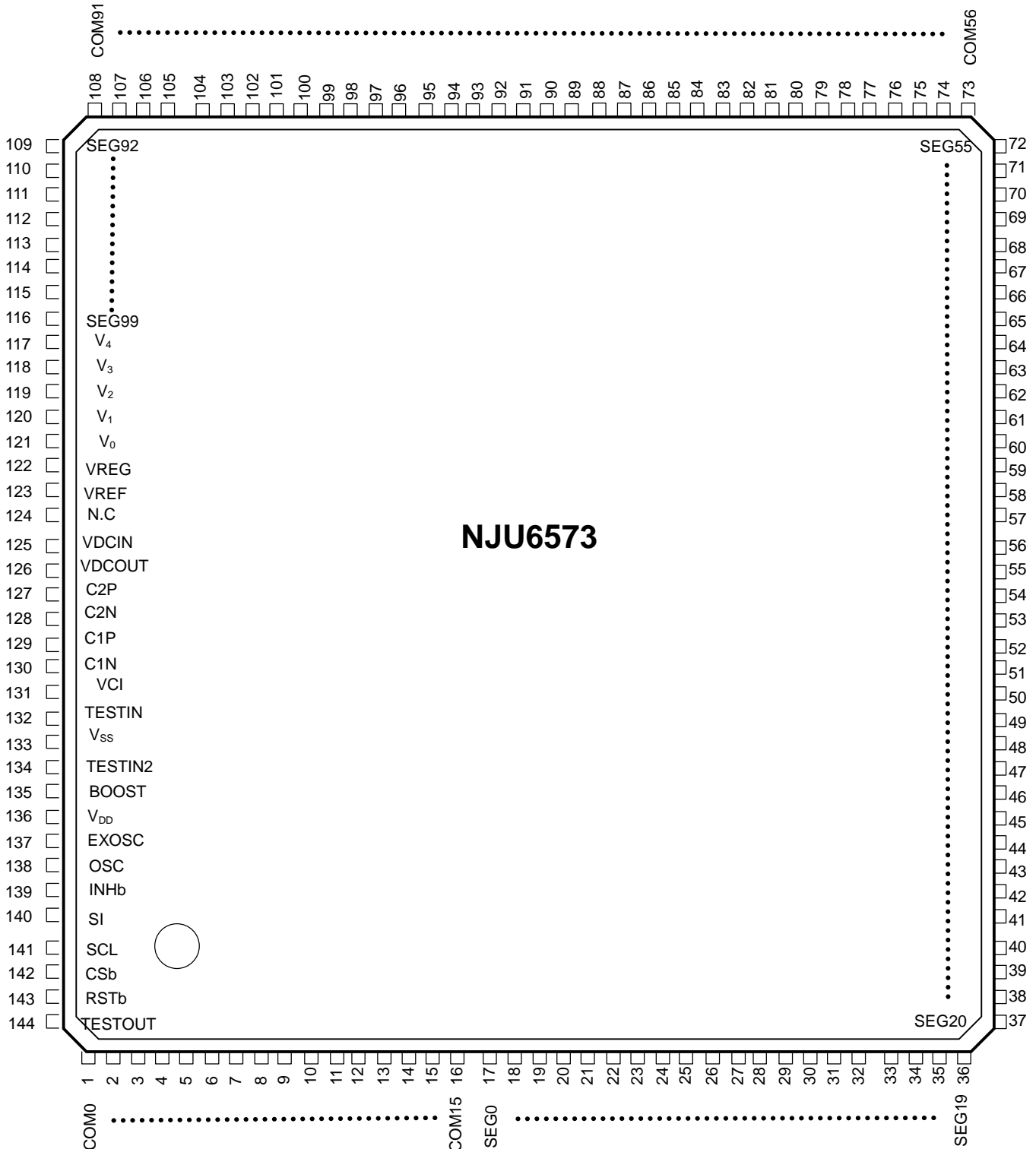
■ FEATURES

- LCD driving circuit : 16-common and 100-segment
- Bias Ratio : 1/5 bias
- Serial Data Transfer : Shift clock max. 2MHz
- Oscillator : CR oscillation with external resistor and capacitor, or external oscillation signal input.
- Programmable Contrast Control:16-steps Electrical Variable Resister (EVR)
- Voltage Tripler and bleeder resistance on-chip.
- Operating Voltage : $V_{DD}=2.4\sim 3.6V$
- C-MOS Technology : Substrate : P
- Package : LQFP144 20.0mm x 20.0mm t=1.7mm(Max)
0.5mm pitch

■ BLOCK DIAGRAM



■ PAD LOCATION



■ TERMINAL DIScription

No.	Pad Name	Function									
136	VDD	Power Supply: (2.4V-3.6V)									
131	VCI	Booster voltage input terminal(MAX:3.3V)									
122	VREG	Voltage Regulator Output									
123	VREF	Regulator base voltage input terminal for VREG output (MAX:3.3V)									
139	INHb	Display ON or OFF "High"=Display ON, "Low"=Display OFF,									
125	VDCIN	Voltage Regulator Input									
126	VDCOUT	Booster voltage output terminal (Internal Booster Circuit Output Terminal)									
121	V0	Bias $V0 \geq V1 \geq V2 \geq V3 \geq V4 \geq V_{SS}$									
120	V1										
119	V2										
118	V3										
117	V4										
133	V _{SS}	GND Terminal V _{SS} =0V									
129	C1P	Capacitor Connect Terminal for Voltage Booster									
130	C1N										
127	C2P										
128	C2N										
143	RSTb		Reset When RSTb is "Low", Latch Circuit is Reset.								
142	CSb	Chip Select When CSb is "Low", Data can be read in.									
140	SI	Serial Data Input Terminal									
141	SCL	Serial Clock Input Terminal (Max: 2MHz)									
138	OSC	OSC: External Resistor and Capacitor Connect Terminal for CR Oscillation, or External Clock Input Terminal. EXOSC: "High"=External Clock Input, "Low"=CR Connect,									
137	EXOSC										
1-16	COM0-COM15	Common Driver Outputs									
17-116	SEG0-SEG99	Segment Driver Outputs									
135	BOOST	Voltage Booster ON or OFF "High"=Voltage Booster ON, "Low"=Voltage Booster OFF, <table border="1" style="margin-left: 20px;"> <thead> <tr> <th>BOOST</th> <th>Internal Booster Circuit</th> <th>Internal Regulator</th> </tr> </thead> <tbody> <tr> <td>L</td> <td>OFF</td> <td>OFF</td> </tr> <tr> <td>H</td> <td>ON</td> <td>ON</td> </tr> </tbody> </table>	BOOST	Internal Booster Circuit	Internal Regulator	L	OFF	OFF	H	ON	ON
BOOST	Internal Booster Circuit	Internal Regulator									
L	OFF	OFF									
H	ON	ON									
132	TESTIN	Test Terminal (Keep TESTIN-V _{ss} short)									
134	TESTIN2	Test2 Terminal (Keep TESTIN2-V _{ss} short)									
144	TESTOUT	Test Out Terminal (There is open Terminal electrically)									
124	N.C.	There is open Terminal electrically									

■ FUNCTION DESCRIPTION

- (1) Shift Resister
105 bits resister
- (2) Latch Circuit
Data stored in display data register is assigned to the corresponding SEG/port.
- (3) Segment Driver
Basing on display data, segment drivers output LCD SEG driving signal.
- (4) Common Driver
Common drivers output LCD COM driving signal.
- (5) Voltage Booster
NJU6573 with a built-in Voltage Booster. The internal voltage booster generates up to $3 \times V_{CI}$ voltage (Input: V_{CI} Terminal, Output: V_{DCOUT} Terminal). The boost voltage V_{DCOUT} must not exceed $10.0V (V_{CI} \times 3 \leq 10V)$, otherwise the voltage stress may case a permanent damage to the LSI. When using the internal LCD power supply, connect the V_{DCOUT} and the V_{DCIN} .
The V_{REF} voltage is tripled to obtain the V_{REG} voltage. ($V_{REF} \times 3 = V_{REG}$)

(5) Bleeder Resistance

Each LCD driving voltage (V1, V2, V3, V4) is LCD driving high voltage input to the V₀ Terminal, generated by the E.V.R and high impedance bleeder resistance.

LCD driving voltage generation circuit generates LCD driving bias voltages V₀, V₁, V₂, V₃ and V₄. V_{REG}, V₀, V₁, V₂, V₃ and V₄ terminals requires external capacitors for bias voltage stabilization for display quality. These values of capacitors should be fixed in accordance with evaluation in the application.

LCD Driving Voltage vs Duty Ratio		
Power supply	Duty Ratio	1/16
	Bias	1/5
V _{LCD}		V ₀ - V _{SS}

V_{LCD} is the maximum amplitude for LCD driving voltage.

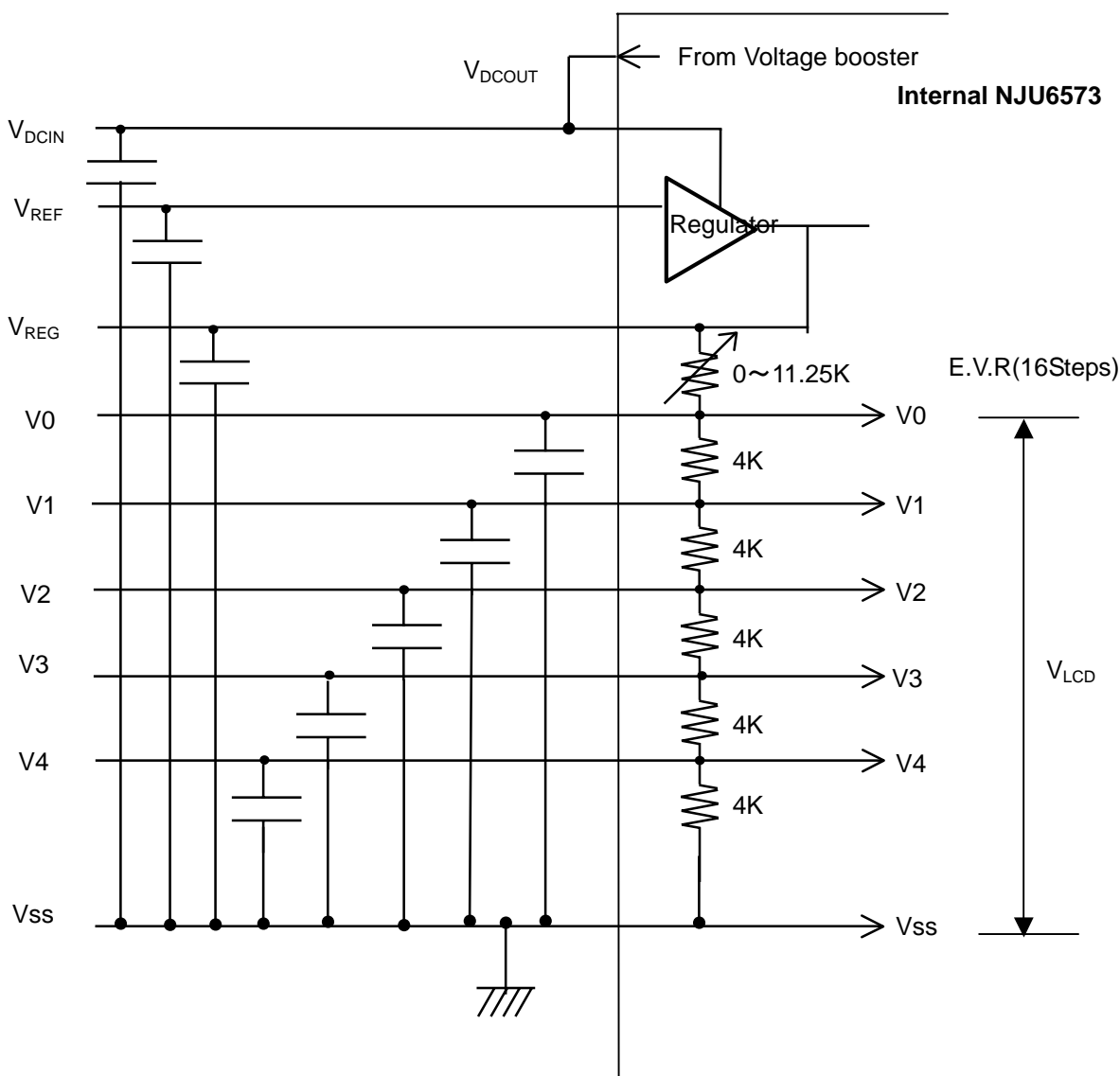


Fig Bleeder Resistance

(6) Oscillator circuit

The oscillator consists of an external capacitor and an resistor. It generates clock signal for LCD driving. When use external clock, input the clock signal to OSC.(EXOSC Terminal is "High" when use external clock)

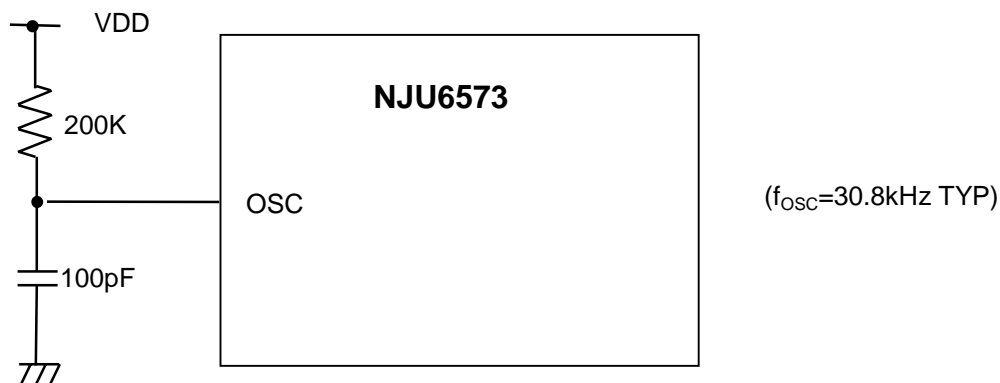


Fig OSC Circuit

(6-1) Relation between Oscillation frequency and Frame frequency

$$\text{Frame frequency} = f_{osc} / 384$$

Set the oscillation frequency to obtain the frame frequency.

(7) Input Data Format and Timing

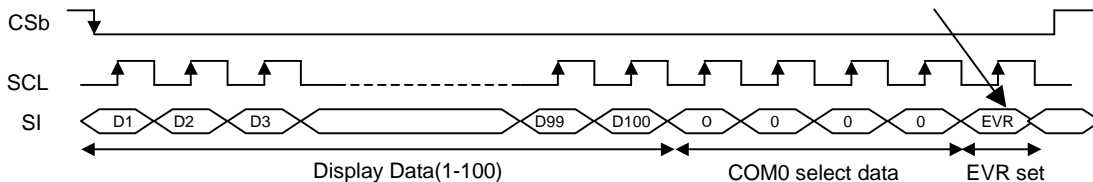
Data format is shown below.

When the CSb terminal goes to "L" at SCL terminal "H", I/F is data input. Data fetched at SCL rising edge. In case of entering less than 105-bit data (Display Data:100bit, COM select data:4bit, E.V.R set data:1bit), Malfunction. In case of entering over than 105-bit data, valid data is last 105-bit data.

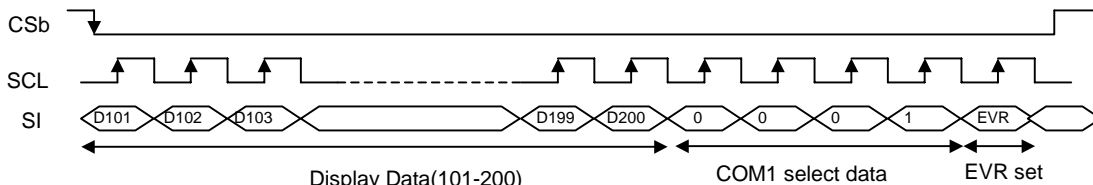
(7-1) 1/16Duty

EVR : The Bit set E.V.R or COM
 "L": COM select data
 "H": E.V.R. select data

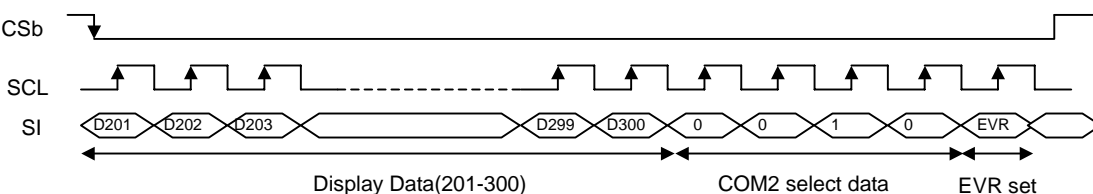
Data1



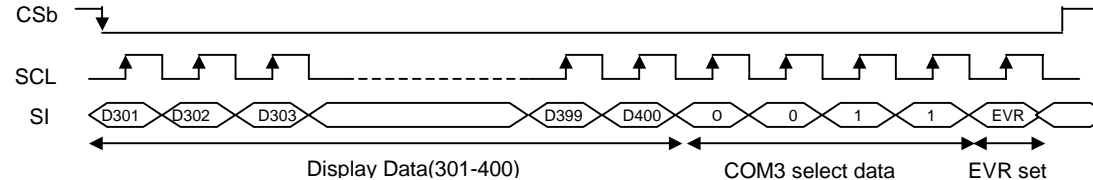
Data2



Data3

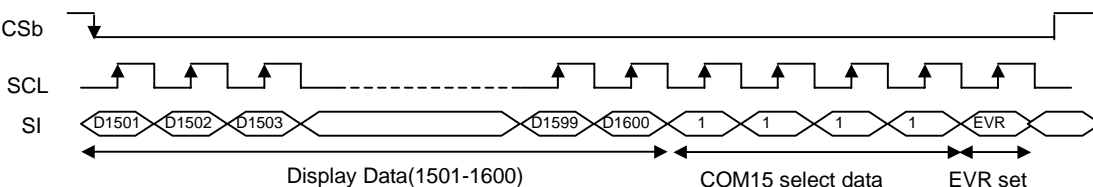


Data4



⋮

Data16



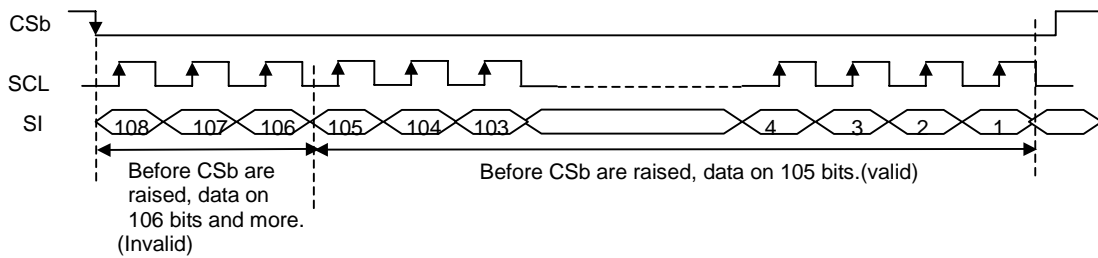


Fig In case of entering over then 105-bit data

(7-2) Display OFF (INHb)

When INHb is "H", display is ON, and when INHb is "L", display is off.

When INHb="L"

All segment and common terminal output Vss

(7-3) Voltage Booster Circuit Select (BOOST terminal)

Voltage Booster ON or OFF

BOOST	H	L
Voltage Booster Circuit	ON	OFF
Regulator Circuit	ON	OFF
VLCD operation supply	Internal Booster Circuit using	External VLCD power supply Input

(7-4) Reset(RSTb)

When RSTb is "Low", latch circuit is reset.

But, Display ON/OFF can not be reset (control).

(7-5) Supply Voltage Sequence

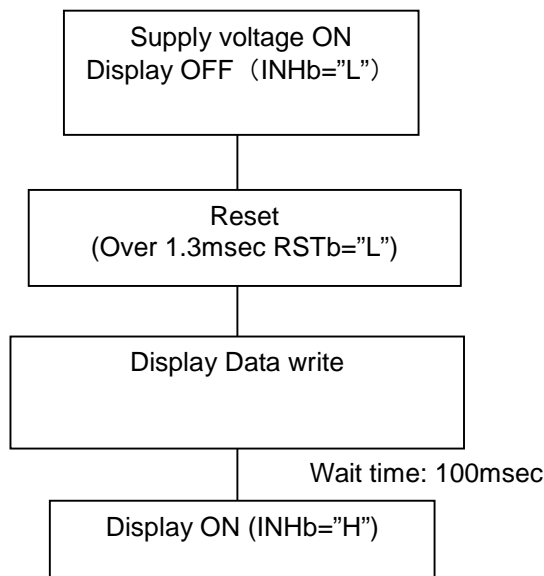


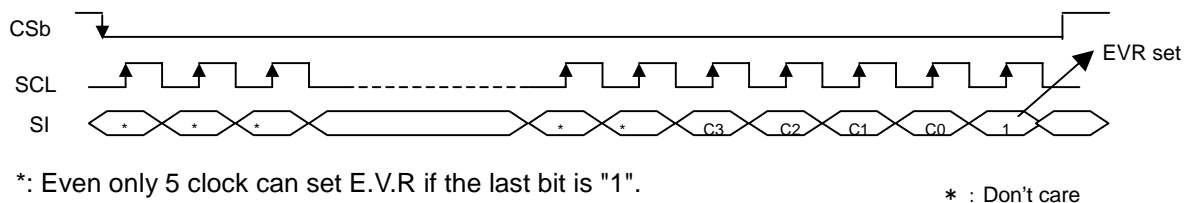
Fig Supply Voltage Sequence

(8) Instructions

The **NJU6573** incorporates E.V.R register(high). Instruction code as show below.

Table. Table of Instructions

Instruction	Explanation
Electrical Voltage Resistor	When the CSb terminal rising edge eve one bit is High, Data fetched at SCL rising edge. In case of entering less then 2-5bit data valid.



Contrast Control instruction which adjusts the contrast of the LCD is executed when the code "1" is written into EVR and the codes of C3 to C0 are written into 2 to 5bit as shown below.

The contrast of LCD can be adjusted one of 16 voltage-stages by setting this 4-bit register.

See below "how to adjust the Contrast of LCD".

Set the binary code "1,1,1,1" when contrast adjustment is unused.

C3	C2	C1	C0	VLCD voltage (Spec)	Ex.) VLCD voltage by VOUT=8.4V
0	0	0	0	VOUT x 0.640	5.376
0	0	0	1	VOUT x 0.656	5.508
0	0	1	0	VOUT x 0.672	5.647
0	0	1	1	VOUT x 0.690	5.793
0	1	0	0	VOUT x 0.708	5.947
0	1	0	1	VOUT x 0.727	6.109
0	1	1	0	VOUT x 0.748	6.280
0	1	1	1	VOUT x 0.769	6.462
1	0	0	0	VOUT x 0.792	6.653
1	0	0	1	VOUT x 0.816	6.857
1	0	1	0	VOUT x 0.842	7.074
1	0	1	1	VOUT x 0.870	7.304
1	1	0	0	VOUT x 0.899	7.551
1	1	0	1	VOUT x 0.930	7.814
1	1	1	0	VOUT x 0.964	8.096
1	1	1	1	VOUT x 1.000	8.400

$$VLCD = VREG \times 20 / (31.25 - 0.75 \times M)$$

M: Contrast control resistor = 0-15

- Input Data v.s output

	COM0	COM1	COM2	COM3		COM12	COM13	COM14	COM15
COM	0000	0001	0010	0011		1100	1101	1110	1111
SEG0	D1	D101	D201	D301		D1201	D1301	D1401	D1501
SEG1	D2	D102	D202	D302		D1202	D1302	D1402	D1502
SEG2	D3	D103	D203	D303		D1203	D1303	D1403	D1503
SEG3	D4	D104	D204	D304		D1204	D1304	D1404	D1504
SEG4	D5	D105	D205	D305		D1205	D1305	D1405	D1505
SEG5	D6	D106	D206	D306		D1206	D1306	D1406	D1506
SEG6	D7	D107	D207	D307		D1207	D1307	D1407	D1507
SEG7	D8	D108	D208	D308		D1208	D1308	D1408	D1508
SEG8	D9	D109	D209	D309		D1209	D1309	D1409	D1509
SEG9	D10	D110	D210	D310		D1210	D1310	D1410	D1510
SEG89	D91	D191	D291	D391		D1291	D1391	D1491	D1591
SEG90	D92	D192	D292	D392		D1292	D1392	D1492	D1592
SEG91	D93	D193	D293	D393		D1293	D1393	D1493	D1593
SEG92	D94	D194	D294	D394		D1294	D1394	D1494	D1594
SEG93	D95	D195	D295	D395		D1295	D1395	D1495	D1595
SEG95	D96	D196	D296	D396		D1296	D1396	D1496	D1596
SEG96	D97	D197	D297	D397		D1297	D1397	D1497	D1597
SEG97	D98	D198	D298	D398		D1298	D1398	D1498	D1598
SEG98	D99	D199	D299	D399		D1299	D1399	D1499	D1599
SEG99	D100	D200	D300	D400		D1300	D1400	D1500	D1600

■ ABSOLUTE MAXIMAM RATINGS

(V_{SS}=0V, Ta=25°C)

PARAMETER	SYMBOL	RATINGS	UNIT	CONDITIONS
Supply Voltage 1	V _{DD} , V _{REF}	-0.3 ~ +7.0	V	
Supply Voltage 2	V _{CI}	-0.3 ~ +10.5	V	V _{CI} Terminal Note-4)
Supply Voltage 3	V _{DCIN} , V ₀ V ₁ ~V ₄ , V _{REG}	-0.3 ~ +10.5	V	V _{DCIN} , V ₀ , V ₁ ~V ₄ , V _{REG} Terminal
Input Voltage	V _i	-0.3 ~ V _{DD} +0.3	V	INHb, CSb, SCL, SI, RSTb, OSC, BOOST EXOSC, TESTIN, TEST2, applicable.
Operating Temp.	Topr	-40 ~ +105	°C	
Storage Temp.	Tstg	-55 ~ +125	°C	
Dissipation Power	P _D	1000	mW	The power dissipation is value mounted on 4 layer glass epoxy board in size 76.2mm x 114.3mm x 1.6tmm

- Note-1) Do not exceed the absolute maximum ratings, otherwise the stress may cause a permanent damage to the IC. It is also recommended that the IC be used within the range specified in the DC electrical characteristics, or the electrical stress may cause mulfunctions and impact on the reliability.
- Note-2) To stabilize the LSI operation, place decoupling capacitors between V_{DD}-V_{SS}, V_{CI}-V_{SS} and between V_{DCIN}-V_{SS}.
- Note-3) All voltages are relative to V_{SS} = 0V reference. The following relationship shall be maintained.
V_{DCIN} ≥ V₀ ≥ V_{DD} > V_{SS}, and V_{SS} = 0V
- Note-4) When voltage booster circuit, need condition of 10V ≥ V_{CI} × 3.

ELECTRICAL CHARACTERISTICS

• DC characteristics

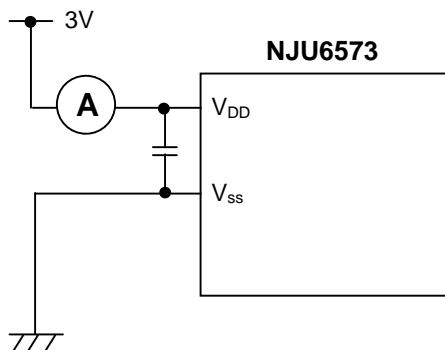
($V_{DD}=2.4$ to $3.6V$, $V_{SS}=0V$, $T_a=-40$ to $+105^{\circ}C$)

PARAMETER	SYMBOL	Terminal	CONDITIONS	MIN	TYP	MAX	UNIT	Note
Power Supply 1	V_{DD}	V_{DD}		2.4	-	3.6	V	
Power Supply 2	V_{CI}	V_{CI}		2.4	-	3.3	V	5
Power Supply 3	V_{DCIN}	V_{DCIN}		3.6	-	10.0		6
Input voltage 1	V_{IH1}	CSb, SCL, SI, RSTb, OSC,BOOST INHb, EXOSC		$0.8 V_{DD}$	-	V_{DD}	V	
	V_{IL1}			V_{SS}	-	$0.2 V_{DD}$	V	
Driver-on(COM) Resistance	R_{COM}	COM0- COM15	$\pm I_d=1\mu A$ (COM Terminal) $V_O=V_0, V_{SS}, V_1, V_4$	-	-	20	kOhm	7
Driver-on(SEG) Resistance	R_{SEG}	SEG0- SEG99	$\pm I_d=1\mu A$ (SEG Terminal) $V_O=V_0, V_{SS}, V_2, V_3$	-	-	20	kOhm	7
Input leakage current	I_{LI}	CSb, SCL, RSTb, INHb, BOOST, EXOSC	$V_{IN}=0\sim V_{DD}$	-1.0	-	1.0	μA	
Operating Current	I_{DD1}	V_{DD}	$V_{DD}=V_{CI}=3V$, $V_{REF}=2.7V$, $f_{osc}=30.8kHz$, Checker Display ON, Booster ON, $T_a=25^{\circ}C$ E.V.R: "1111" SEG/COM open V_{DCOUT}/V_{DCIN} connect	-	30	50	μA	8
	I_{CI}	V_{CI}		-	1.5	2.0	mA	
	I_{DD1}	V_{DD}	$f_{osc}=184.8kHz$	-	90	150	μA	8
	I_{CI}	V_{CI}	Other condition same as I_{DD1}	-	1.7	2.2	mA	
LCD operating voltage	V_0	V_0	$V_{REG}=8.0V$ E.V.R: "1111"	7.8	-	8.0	V	
	V_1	V_1		6.2	6.4	6.6		
	V_2	V_2		4.6	4.8	5.0		
	V_3	V_3		3.0	3.2	3.4		
	V_4	V_4		1.4	1.6	1.8		
Bleeder resistance $R_B=V_0/I_B$ RB: Bleeder resistance 5 IB: Bleeder resistance Current	R_B	V_{REG}	$V_{REG}=8.0V$ E.V.R: "1111", $T_a=25^{\circ}C$	14.0	20.0	26.0	kOhm	
Booster output voltage	V_{OUT}	V_{DCOUT}	$V_{CI}=3.3V$, $T_a=25^{\circ}C$ $f_{osc}=30.8k-184.8kHz$, BoosterON(COM/SEGopen) V_{DCOUT} between V_{DCIN} connect	9.0	9.5	-	V	
OSC Frequency	f_{osc}	OSC	$V_{DD}=3V$, $T_a=25^{\circ}C$, $R_{osc}=200kOhm$ $C_{osc}=100pF$	25.3	30.8	36.3	kHz	
			$R_{osc}=30kOhm$ Other condition same as f_{osc}	151.8	184.8	217.8		
External clock Operating Frequency	f_{CP}	OSC	External input	25.3	-	217.8	kHz	
Operate Frame Frequency range	F_r	COM		66	-	566	Hz	9
V_{REF} input voltage	V_{REF}	V_{REF}		1.0	-	V_{DD}	V	
Regulator output voltage	V_{REG}	V_{REG}	$V_{DCIN}=10V$, $V_{REF}=3V$, (COM/SEG open)	$V_{REF} \times 3 \times 0.98$	$V_{REF} \times 3$	$V_{REF} \times 3 \times 1.02$	V	
Dropout Voltage	Delta VIO	$V_{DCIN}-V_{REG}$	$V_{DCIN}=9V$, $V_{REF}=3.6V$, $I_O=-200\mu A$	-	0.05	0.10	V	
V_{DCIN} Current	I_{OUT}	V_{DCIN}	$V_{DCIN}=9.0V$, $V_{REF}=2.7V$ E.V.R: "1111", INHb=0 $T_a=25^{\circ}C$ (COM/SEG open)	-	0.5	0.8	mA	

Note-5) When voltage booster circuit using, need condition of $V_{DCOUT} \leq 10V$

Note-6) Condition of V_{DCIN} Voltage: $10V \geq V_{DCIN} \geq V_{REF} \times 3 + 0.6$

Note-7) Driver-On resistance (R_{SEG}/R_{COM}) is measured from $V_0, V_{SS}, V_1, V_2, V_3$ or V_4 terminal to each SEG/COM terminal when I_d current flows through COM/SEG terminals.



Note-8) If input voltage is outside of the spec, when operating current increase. Input level must be condition "H" or "L". This measurement condition is SI terminal between VDD short.

Note-9) Frame frequency vs OSC is as the show relation between oscillation frequency and Frame frequency page7.

Example characteristic)

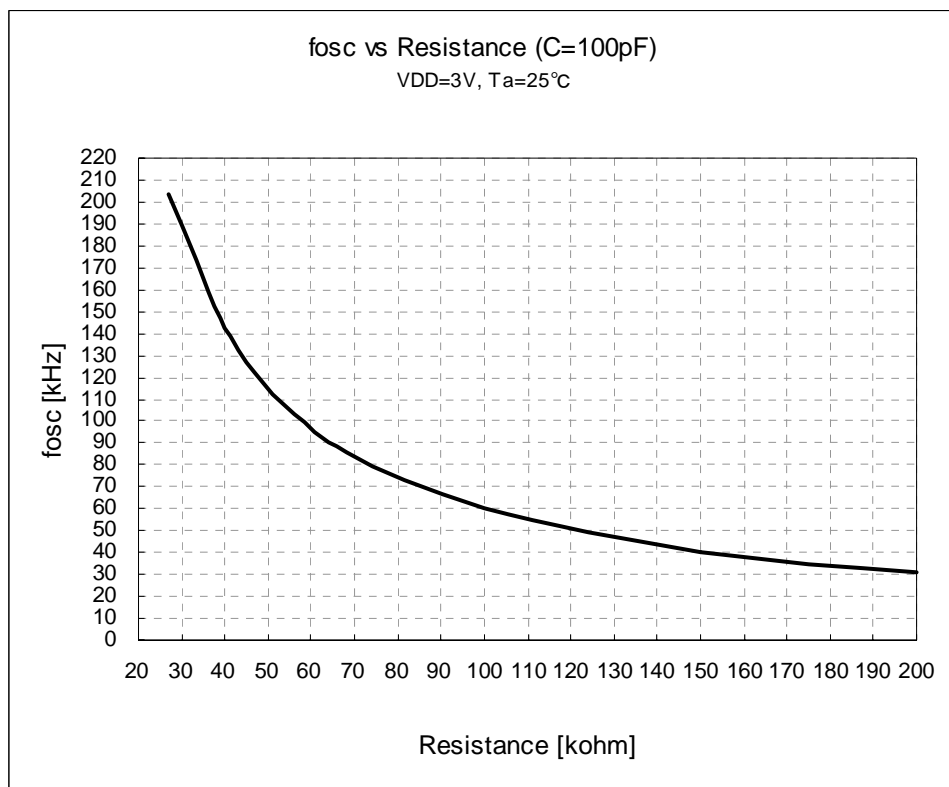
Condition

$C=100[\mu F]$

$R=\text{from } 27k[\text{ohm}] \text{ to } 200k[\text{ohm}]$

Temperature= $25[^\circ C]$

The following graph is the data of example sample, so without guarantee.

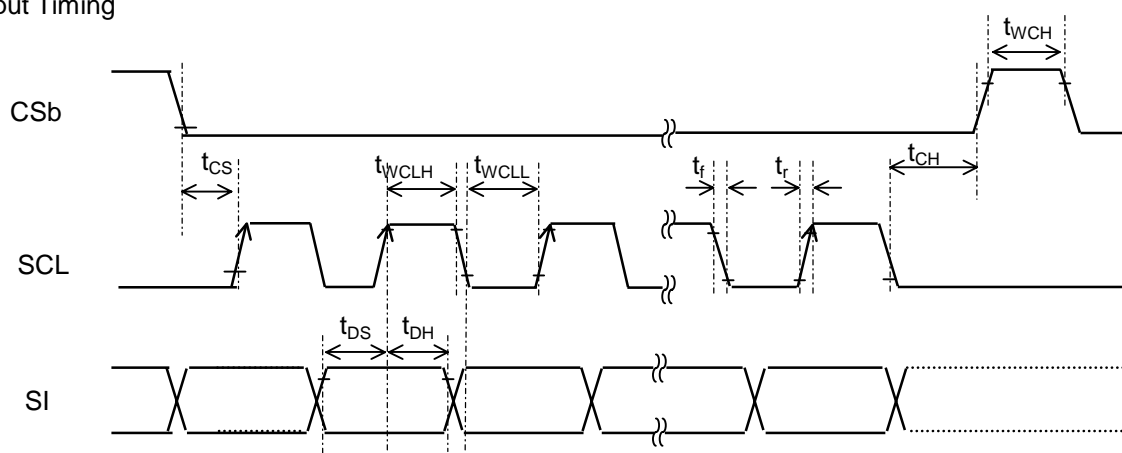


AC characteristics

($V_{DD}=V_0=2.4$ to $3.6V$, $V_{SS}=0V$, $T_a=-40$ to $+105^\circ C$)

PARAMETER	SYMBOL	CONDITIONS	MIN	TYP	MAX	UNIT	Note
"L" Level Clock Pulse Width	t_{WCLL}		230	-	-	ns	
"H" Level Clock Pulse Width	t_{WCLH}		230	-	-	ns	
Data Setup Time	t_{DS}		30	-	-	ns	
Data Hold Time	t_{DH}		30	-	-	ns	
CSb Setup Time	t_{CS}		50	-	-	ns	
CSb Hold Time	t_{CH}		50	-	-	ns	
CSb"H" Level Pulse Width	t_{WCH}		250	-	-	ns	
Rising Time	t_r		-	-	20	ns	
Falling Time	t_f		-	-	20	ns	

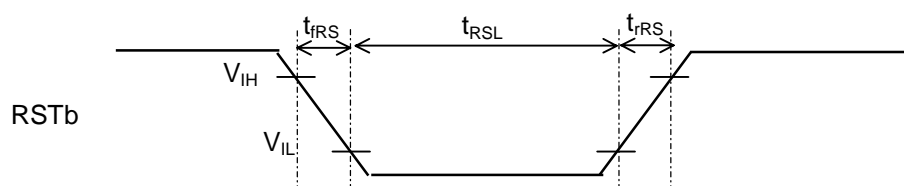
Input Timing



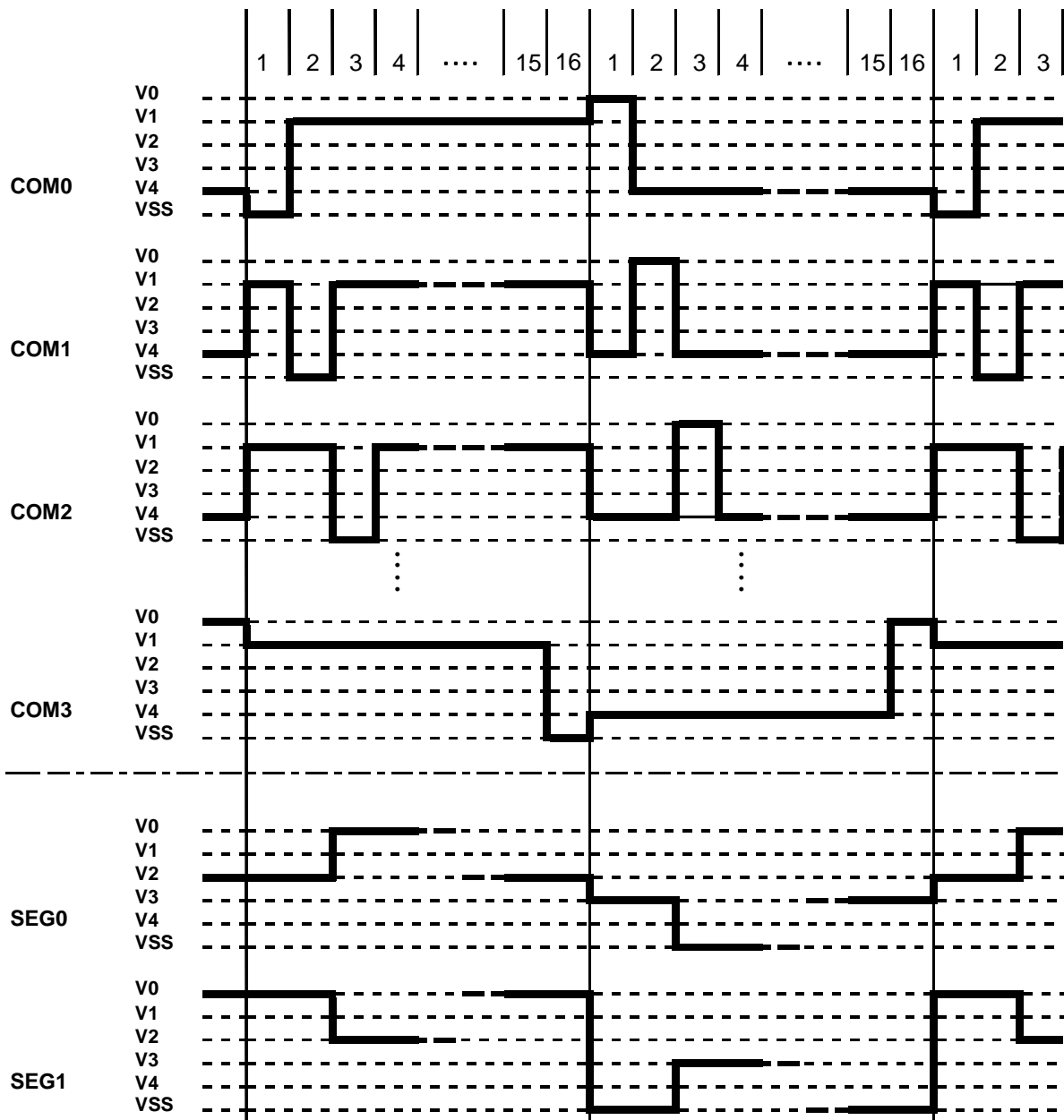
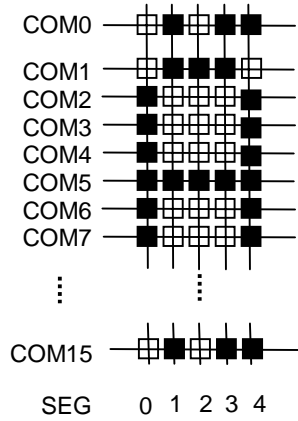
Input condition when hardware reset circuit is used

($T_a=-40$ to $+105^\circ C$)

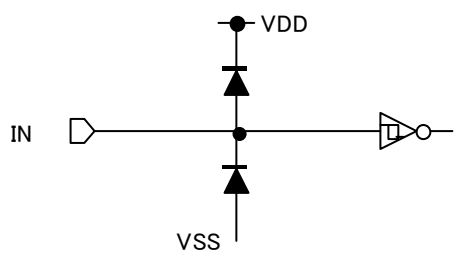
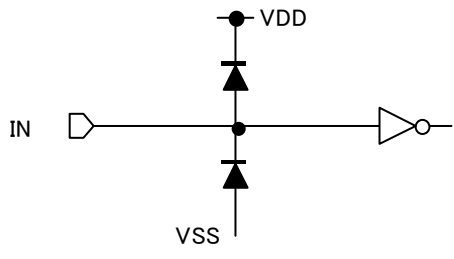
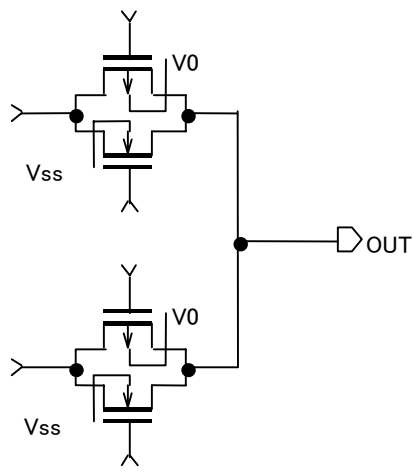
PARAMETER	SYMBOL	CONDITIONS	MIN	TYP	MAX	UNIT
Reset Input "L" Level Width	t_{RSL}	$f_{OSC}=30.8kHz \pm 18\%$	1.3	-	-	ms
		$f_{OSC}=184.8kHz \pm 18\%$	0.3	-	-	ms
Reset Rising Time	t_{RRS}		-	-	100	ns
Reset Falling Time	t_{FRS}		-	-	100	ns



LCD Operating Wave Form



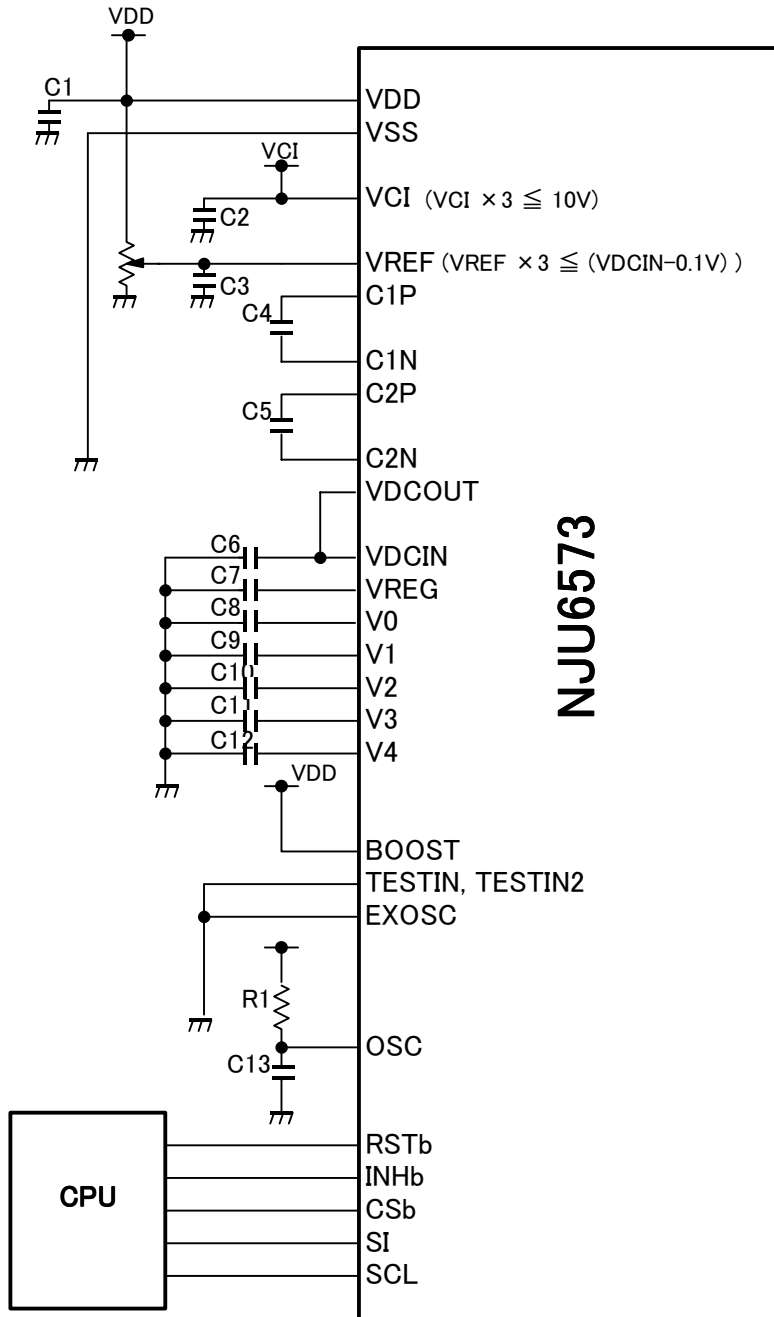
Input and Output Circuit

	
<p>RSTb, CSb, SI, SCL</p>	<p>OSC, EXOSC, INHb, TESTIN, BOOST, TESTIN2</p>
	
<p>SEG0~SEG99, COM0~COM15</p>	

APPLICATION CIRCUIT

1)Circuit1

Booster ON, Internal OSC



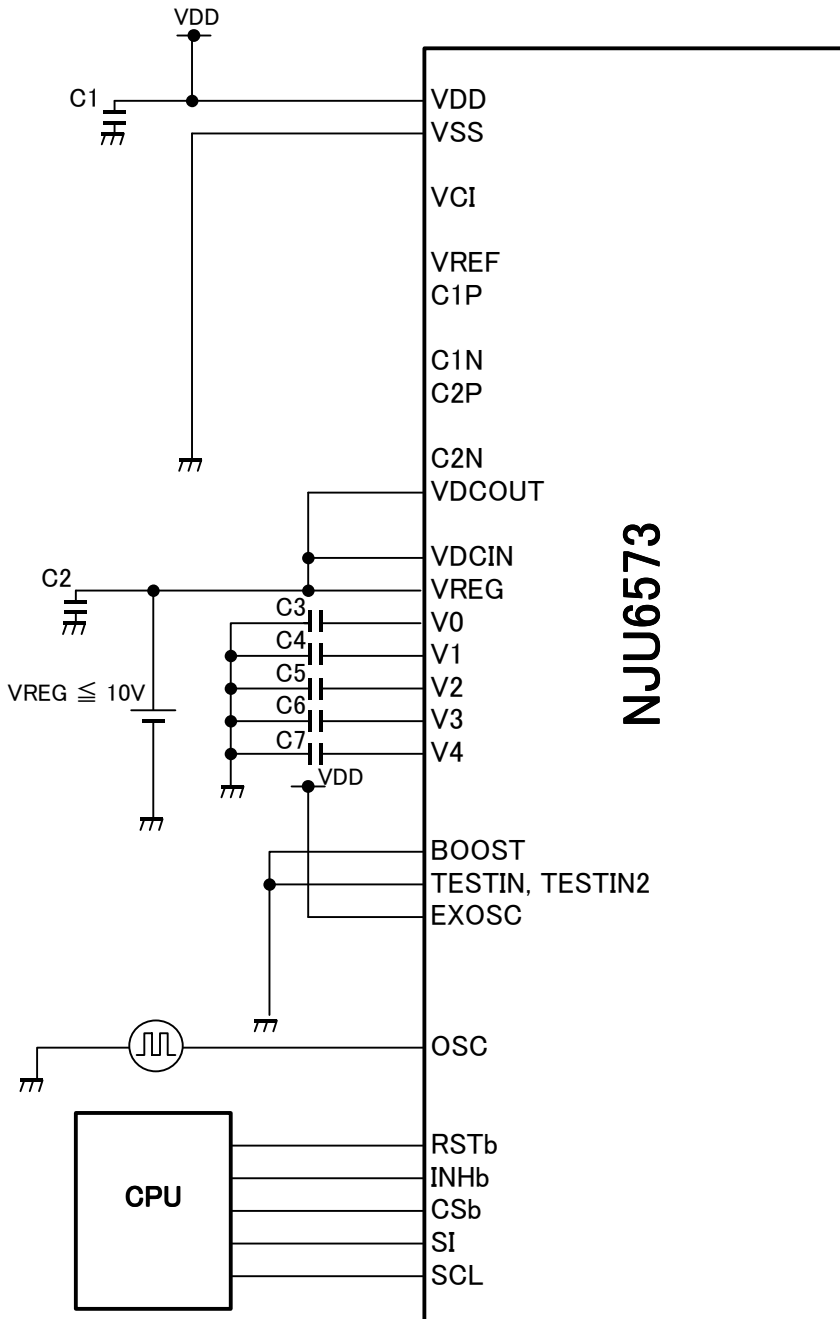
NJU6573

Reference value

R1	200k
C13	100pF
C4,5,6,7	1.0-4.7 μ F
C1-C3,C8-C12	0.1-1.0 μ F

2) Circuit 2

Booster OFF, Regulator OFF (External power supply mode), External OSC

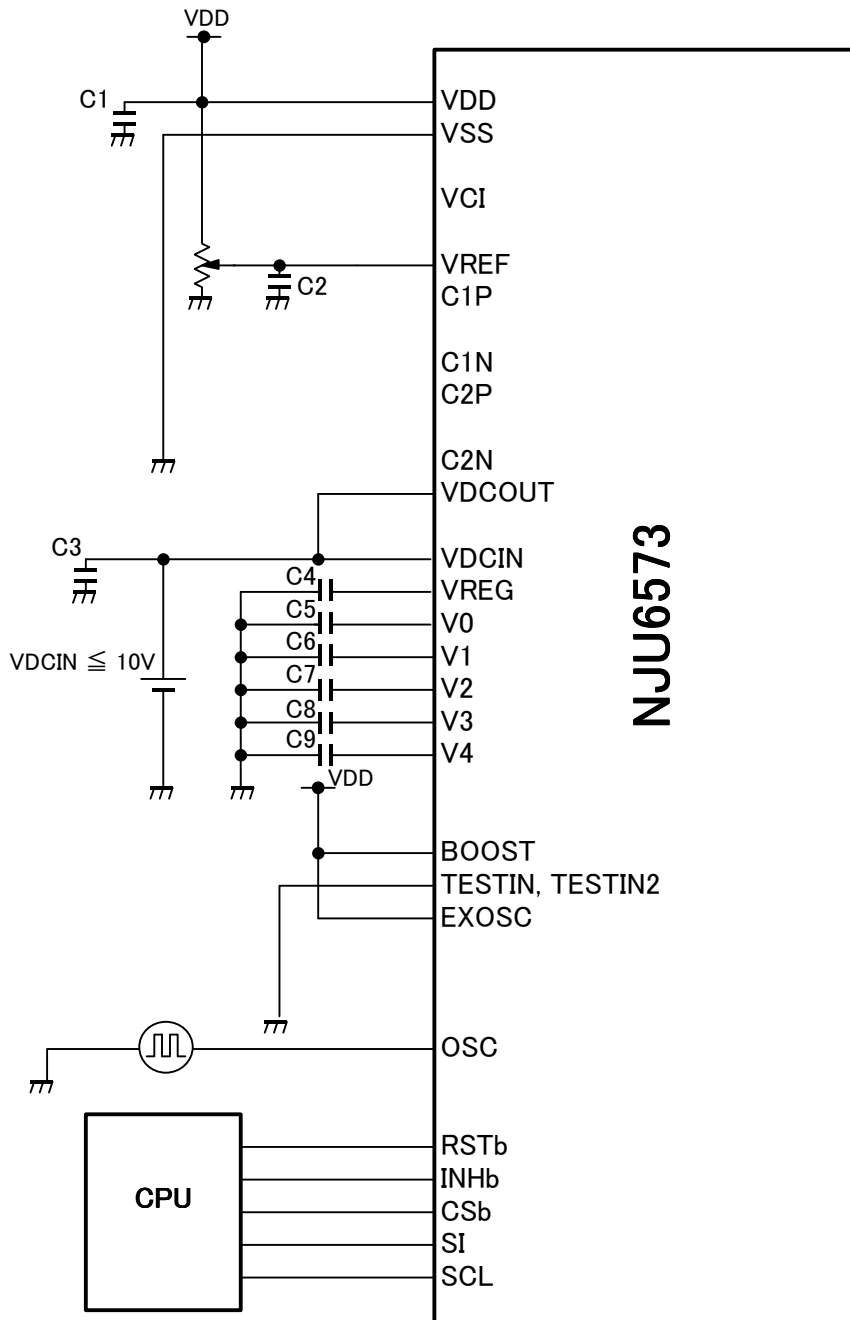


Reference value

C2	1.0-4.7 μ F
C1, C3-C7	0.1-1.0 μ F

3)Circuit3

Booster OFF, Regulator ON, External OSC



NJU6573

Reference value

C3,4	1.0-4.7 μF
C1,C2-C9	0.1-1.0 μF

[CAUTION]

The specifications on this databook are only given for information, without any guarantee as regards either mistakes or omissions. The application circuits in this databook are described only to show representative usages of the product and not intended for the guarantee or permission of any right including the industrial rights.