

PRELIMINARY

NLT Technologies, Ltd.

TFT COLOR LCD MODULE

NL192108AC10-01D

22.8cm (9.0 Type)

FHD

LVDS interface (2port)

PRELIMINARY DATA SHEET 

DOD-PP-1438 (2nd edition)

**This DATA SHEET is updated document from
PRELIMINARY DATA SHEET DOD-MDA-0606(1).**

**All information is subject to change without notice.
Please confirm the sales representative before starting
to design your system.**

PRELIMINARY

NLT Technologies, Ltd.

NL192108AC10-01D

INTRODUCTION

The Copyright to this document belongs to NLT Technologies, Ltd. (hereinafter called "NLT"). No part of this document will be used, reproduced or copied without prior written consent of NLT.

NLT does and will not assume any liability for infringement of patents, copyrights or other intellectual property rights of any third party arising out of or in connection with application of the products described herein except for that directly attributable to mechanisms and workmanship thereof. No license, express or implied, is granted under any patent, copyright or other intellectual property right of NLT.

Some electronic products would fail or malfunction at a certain rate. In spite of every effort to enhance reliability of products by NLT, the possibility of failures and malfunction might not be avoided entirely. To prevent the risks of damage to death, human bodily injury or other property arising out thereof or in connection therewith, each customer is required to take sufficient measures in its safety designs and plans including, but not limited to, redundant system, fire-containment and anti-failure.

The products are classified into three grades: "**Standard**", "**Special**", and "**Specific**".

Each quality grade is designed for applications described below. Any customer who intends to use a product for application other than that of Standard is required to contact an NLT sales representative in advance.

The **Standard**: Applications as any failure, malfunction or error of the products are free from any damage to death, human bodily injury or other property (Products Safety Issue) and not related the safety of the public (Social Issues), like general electric devices.

Examples: Office equipment, audio and visual equipment, communication equipment, test and measurement equipment, personal electronic equipment, home electronic appliances, car navigation system (with no vehicle control functions), seat entertainment monitor for vehicles and airplanes, fish finder (except marine radar integrated type), PDA, etc.

The **Special**: Applications as any failure, malfunction or error of the products might directly cause any damage to death, human bodily injury or other property (Products Safety Issue) and the safety of the public (Social Issues) and required high level reliability by conventional wisdom.

Examples: Vehicle/train/ship control system, traffic signals system, traffic information control system, air traffic control system, surgery/operation equipment monitor, disaster/crime prevention system, etc.

The **Specific**: Applications as any failure, malfunction or error of the products might severe cause any damage to death, human bodily injury or other property (Products Safety Issue) and the safety of the public (Social Issues) and developed, designed and manufactured in accordance with the standards or quality assurance program designated by the customer who requires extremely high level reliability and quality.

Examples: Aerospace system (except seat entertainment monitor), nuclear control system, life support system, etc.

The quality grade of this product is the "**Standard**" unless otherwise specified in this document.

PRELIMINARY

CONTENTS

INTRODUCTION	2
1. OUTLINE.....	4
1.1 STRUCTURE AND PRINCIPLE	4
1.2 APPLICATION	4
1.3 FEATURES	4
2. GENERAL SPECIFICATIONS.....	5
3. BLOCK DIAGRAM.....	6
4. DETAILED SPECIFICATIONS.....	7
4.1 MECHANICAL SPECIFICATIONS	7
4.2 ABSOLUTE MAXIMUM RATINGS.....	7
4.3 ELECTRICAL CHARACTERISTICS.....	8
4.3.1 LCD panel signal processing board	8
4.3.2 Backlight lamp	9
4.3.3 Power supply voltage ripple.....	9
4.3.4 Fuse.....	9
4.4 POWER SUPPLY VOLTAGE SEQUENCE	10
4.4.1 LCD panel.....	10
4.4.2 LED Driver	10
4.5 CONNECTIONS AND FUNCTIONS FOR INTERFACE PINS	11
4.5.1 LCD panel signal processing board	11
4.5.2 Positions of plug and socket	12
4.5.3 Connection between receiver and transmitter for LVDS	13
4.5.4 Input data mapping	19
4.6 DISPLAY COLORS AND INPUT DATA SIGNALS.....	20
4.6.1 Combinations of input data signals, FRC and MSL signal	20
4.6.2 16,777,216 colors.....	21
4.6.3 262,144 colors.....	22
4.7 DISPLAY POSITIONS	23
4.8 DISPLAY DIRECTIONS	23
4.9 INPUT SIGNAL TIMINGS	24
4.9.1 Outline of input signal timings	24
4.9.2 Timing characteristics.....	25
4.9.3 Input signal timing chart	26
4.10 OPTICS.....	27
4.10.1 Optical characteristics	27
4.10.2 Definition of contrast ratio.....	28
4.10.3 Definition of luminance uniformity	28
4.10.4 Definition of response times	28
4.10.5 Definition of viewing angles.....	28
5. ESTIMATED LUMINANCE LIFETIME.....	29
6. RELIABILITY TESTS	30
7. PRECAUTIONS	31
7.1 MEANING OF CAUTION SIGNS	31
7.2 CAUTIONS	31
7.3 ATTENTIONS.....	31
7.3.1 Handling of the product	31
7.3.2 Environment.....	32
7.3.3 Characteristics.....	32
7.3.4 Others.....	32
8. OUTLINE DRAWINGS.....	33
8.1 FRONT VIEW	33
8.2 REAR VIEW	34
REVISION HISTORY	35

1. OUTLINE

1.1 STRUCTURE AND PRINCIPLE

Color LCD module NL192108AC10-01D is composed of the amorphous silicon thin film transistor liquid crystal display (a-Si TFT LCD) panel structure with driver LSIs for driving the TFT (Thin Film Transistor) array and a backlight.

The a-Si TFT LCD panel structure is injected liquid crystal material into a narrow gap between the TFT array glass substrate and a color-filter glass substrate.

Color (Red, Green, Blue) data signals from a host system (e.g. signal generator, etc.) are modulated into best form for active matrix system by a signal processing board, and sent to the driver LSIs which drive the individual TFT arrays.

The TFT array as an electro-optical switch regulates the amount of transmitted light from the backlight assembly, when it is controlled by data signals. Color images are created by regulating the amount of transmitted light through the TFT array of red, green and blue dots.

1.2 APPLICATION

- For industrial use

1.3 FEATURES

- Ultra Wide viewing angle (Adoption of Ultra-Advanced Super Fine TFT (UA-SFT))
- Narrow frame
- LED backlight type
- LED driver Built-in
- Wide temperature range
- LVDS interface
- Selectable 8bit or 6bit digital signals for data of RGB
- Replaceable lamp holder for backlight

PRELIMINARY

2. GENERAL SPECIFICATIONS

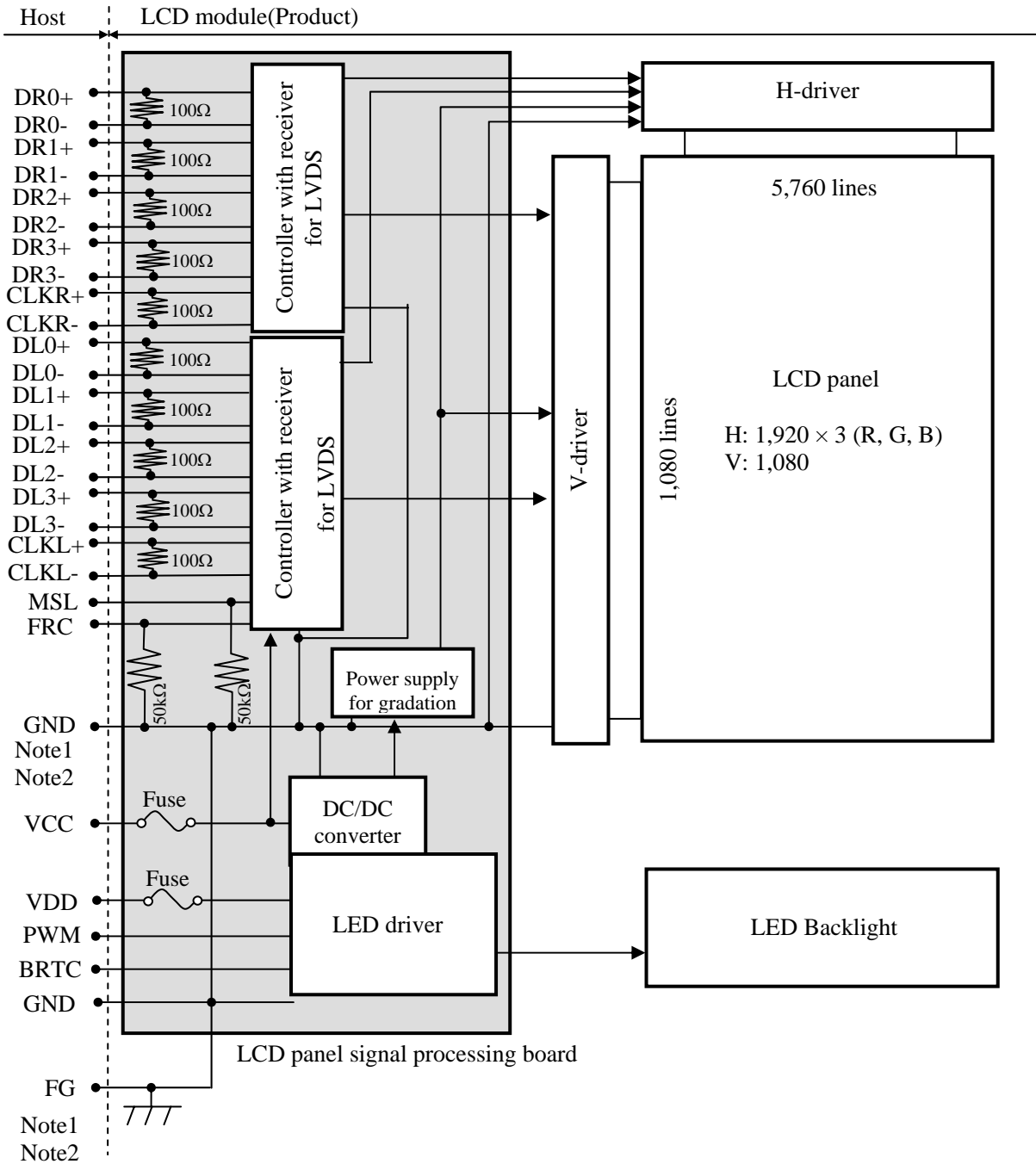
Display area	198.72 (H) × 111.78 (V) mm
Diagonal size of display	22.8cm (9.0 inches)
Drive system	a-Si TFT active matrix
Display color	16,777,216 colors (At 8-bit input, FRC terminal= High) 262,144 colors (At 6-bit input, FRC terminal= Low or Open)
Pixel	1920 (H) × 1080 (V) pixels
Pixel arrangement	RGB (Red dot, Green dot, Blue dot) vertical stripe
Dot pitch	0.0345 (H) × 0.1035 (V) mm
Pixel pitch	0.1035 (H) × 0.1035 (V) mm
Module size	214.6 mm (W) (typ.) × 130.0 mm (H) (typ.) × (9.1) (D) mm (typ.)
Weight	(300) g (typ.)
Contrast ratio	TBD (typ.)
Viewing angle	At the contrast ratio $\geq 10:1$ <ul style="list-style-type: none"> • Horizontal: Right side 88° (typ.), Left side 88° (typ.) • Vertical: Up side 88° (typ.), Down side 88° (typ.)
Designed viewing direction	<ul style="list-style-type: none"> • Viewing angle with optimum grayscale ($\gamma \approx 2.2$): Normal axis (perpendicular)
Polarizer surface	(Antiglare) (Haze: 41%)
Polarizer pencil-hardness	(2H) (min.) [by JIS K5600]
Color gamut	At LCD panel center 72% (typ.) [against NTSC color space]
Response time	$T_{on} + T_{off}$ (10% \leftrightarrow 90%) 25ms (typ.)
Luminance	At the maximum luminance control (400)cd/m ² (typ.)
Signal system	LVDS 2port (Receiver: THC63LVDF84B, THine Electronics Inc. or equivalent) [8bit/6bit digital signals for data of RGB colors, Dot clock (CLK), Data enable (DE), Selection of LVDS input map (MSL)]
Power supply voltage	LCD panel: 3.3V LED backlight: 12V
Backlight	LED backlight type (Replaceable part • Lamp holder set: Type No. TBD)
Power consumption	At the maximum luminance control, Checkered flag pattern (11.4) W (typ.)

2

2

2

3. BLOCK DIAGRAM



Note1: Relations between GND (Signal ground and LED driver ground) and FG (Frame ground) in the LCD module are as follows.

GND - FG	Connected
----------	-----------

Note2: GND and FG must be connected to customer equipment's ground, and it is recommended that these grounds be connected together in customer equipment.

PRELIMINARY

4. DETAILED SPECIFICATIONS

4.1 MECHANICAL SPECIFICATIONS

Parameter	Specification	Unit
Module size	214.6 ± 0.5 (W) × 130.0 ± 0.5 (H) × (9.1) ± 0.5 (D) Note1	mm
Display area	198.72 (H) × 111.78 (V) Note1	mm
Weight	(300)(typ.), (330)(max.)	g

Note1: See "8. OUTLINE DRAWINGS".

2

2

4.2 ABSOLUTE MAXIMUM RATINGS

Parameter	Symbol	Rating	Unit	Remarks	
Power supply voltage	LCD panel	VCC	-0.3 to +4.0	V	
	LED driver	VDD	-0.3 to 15.0		
Input voltage for signals	Display signals Note1	VD	-0.3 to VCC+0.3	V	-
	Function signals Note2	VF			
	Function signal for LED driver	PWM	-0.3 to +5.5	V	
		BRTC	-0.3 to VDD+1.0	V	
Storage temperature		Tst	-30 to +80	°C	-
Operating temperature	Front surface	TopF	-20 to +70	°C	Note3
	Rear surface	TopR	-20 to +70	°C	Note4
Relative humidity Note5	RH		≤ 95	%	Ta ≤ 40°C
			≤ 85	%	40°C < Ta ≤ 50°C
			≤ 55	%	50°C < Ta ≤ 60°C
			≤ 36	%	60°C < Ta ≤ 70°C
Absolute humidity Note5	AH		≤ 70 Note6	g/m ³	Ta > 70°C

Note1: DL0+/-, DL1+/-, DL2+/-, DL3+/-, CLKL+/-, DR0+/-, DR1+/-, DR2+/-, DR3+/- and CLKR+/-

Note2: FRC, MSL

Note3: Measured at LCD panel surface (including self-heat)

Note4: Measured at LCD module's rear shield surface (including self-heat)

Note5: No condensation

Note6: Water amount at Ta= 70°C and RH= 36%

PRELIMINARY

4.3 ELECTRICAL CHARACTERISTICS

4.3.1 LCD panel signal processing board

(Ta= 25°C)

Parameter	Symbol	min.	typ.	max.	Unit	Remarks	
Power supply voltage	VCC	3.0	3.3	3.6	V	-	
Power supply current	ICC	-	(900) Note1	(1440) Note2	mA	at VCC= 3.3V	
Permissible ripple voltage	VRPC	-	-	100	mVp-p	for VCC	
Differential input threshold voltage	High	VTH	-	-	+100	mV	at VCM= 1.2V Note3
	Low	VTL	-100	-	-	mV	
Terminating resistance	RT	-	100	-	Ω	-	
Input voltage for FRC and MSL signals	High	VFH	0.7VCC	-	VCC	V	CMOS level
	Low	VFL	0	-	0.3VCC	V	
Input current for FRC and MSL signal	High	IFH	-	-	300	μA	-
	Low	IFL	-300	-	-	μA	

Note1: Checkered flag pattern [by EIAJ ED-2522]

Note2: Pattern for maximum current

Note3: Common mode voltage for LVDS receiver

2

PRELIMINARY

4.3.2 Backlight lamp

(Ta= 25°C)

Parameter	Symbol	min.	typ.	max.	Unit	Remarks	
Power supply voltage	VDD	10.8	12.0	13.2	V	Note1	
Power supply current Note3	IDD	-	(700)	(1,000) Note2	mA	at VCC=12.0V Note6	
Permissible ripple voltage	VRPD	-	-	100	mVp-p	for VDD	
Input voltage for PWM signal	High	VDFH1	2.0	-	5.0	V	-
	Low	VDFL1	0	-	0.8	V	
Input voltage for BRTC signal	High	VDFH2	2.0	-	VDD	V	-
	Low	VDFL2	0	-	0.8	V	
PWM frequency	f _{PWM}	(100)	-	(500)	Hz	Note4, Note5	
PWM pulse width	t _{PWH}	(20)	-	-	μs	-	

Note1: When designing of the power supply, take the measures for the prevention of surge voltage.

Note2: This value excludes peak current such as overshoot current.

Note3: The power supply lines (VDD and GND) may have ripple voltage during luminance control of LED. There is the possibility that the ripple voltage produces acoustic noise and signal wave noise in audio circuit and so on. Put a capacitor between the power supply lines (VDD and GND) to reduce the noise if necessary.

Note4: A recommended f_{PWM} value is as follows.

$$f_{PWM} = \frac{2n - 1}{4} \times fv$$

(n = integer, fv = frame frequency of LCD module)

Note5: Depending on the frequency used, so noise may appear on the screen, please conduct a thorough evaluation.

Note6: At the maximum luminance control.

4.3.3 Power supply voltage ripple

This product works, even if the ripple voltage levels are over the permissible values as the following table, but there might be noise on the display image.

Power supply voltage	Voltage	Ripple voltage (Measure at input terminal of power supply)	Unit
VCC	3.3V	≤ 100	mVp-p
VDD	12.0V	≤ 100	mVp-p

Note1: The permissible ripple voltage includes spike noise.

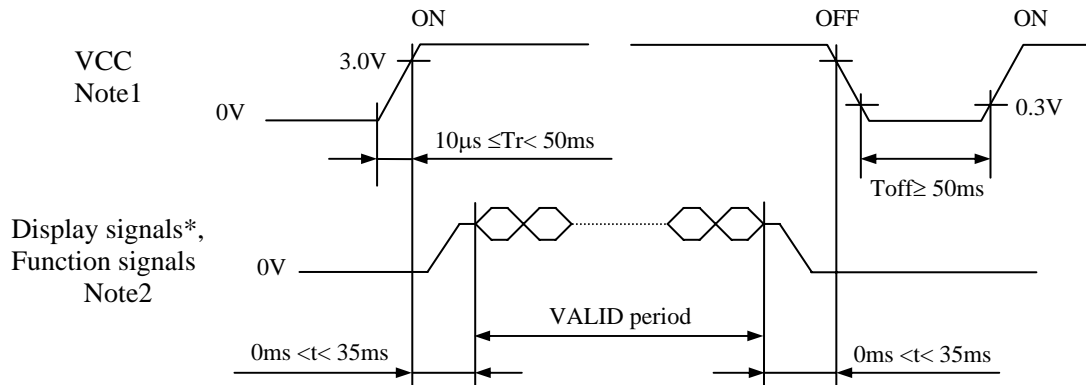
4.3.4 Fuse

Parameter	Fuse		Rating	Fusing current	Remarks
	Type	Supplier			
VCC	FHC16322AD	KAMAYA ELECTRIC CO., LTD	3.15A	7.88A	Note1
			24V		
VDD	FHC16322AD	KAMAYA ELECTRIC CO., LTD	3.15A	7.88A	
			24V		

Note1: The power supply's rated current must be more than the fusing current. If it is less than the fusing current, the fuse may not blow in a short time, and then nasty smell, smoke and so on may occur.

4.4 POWER SUPPLY VOLTAGE SEQUENCE

4.4.1 LCD panel



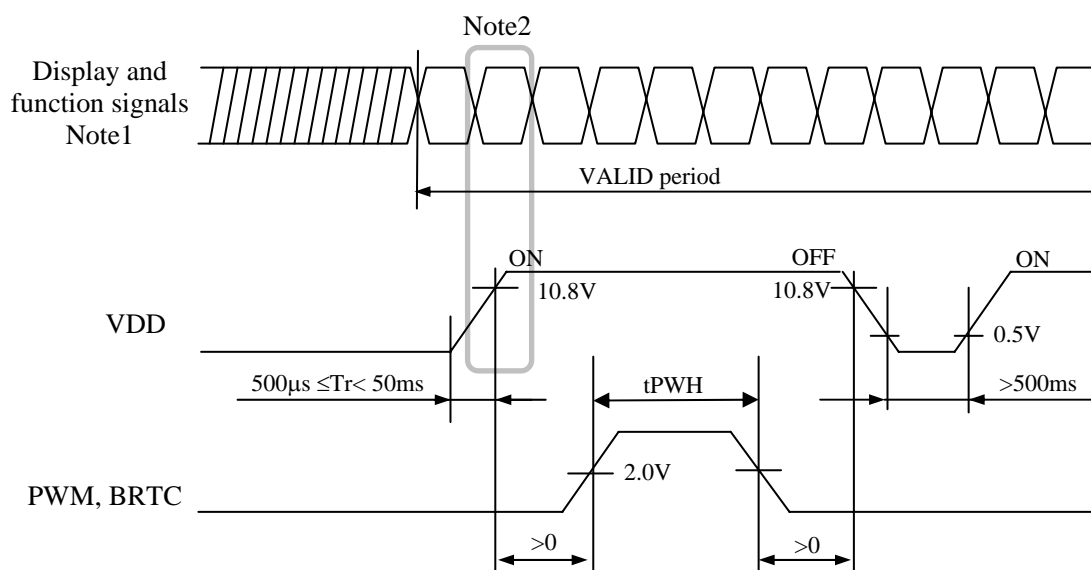
* These signals should be measured at the terminal of 100Ω resistance.

Note1: If there is a voltage variation (voltage drop) at the rising edge of VCC below 3.0V, there is a possibility that a product does not work due to a protection circuit.

Note2: Display signals (DL0+/-, DL1+/-, DL2+/-, DL3+/-, CLKL+/-, DR0+/-, DR1+/-, DR2+/-, DR3+/- and CLKR+/-) and function signals (FRC, MSL) must be set to Low or High-impedance, except the VALID period (See above sequence diagram), in order to avoid the circuitry damage.

If some of display and function signals of this product are cut while this product is working, even if the signal input to it once again, it might not work normally. If a customer stops the display and function signals, VCC also must be shut down.

4.4.2 LED Driver



Note1: These are the display and function signals for LCD panel.

Note2: The LED driver should be turned on within the valid period of display and function signals, in order to avoid unstable data display.

PRELIMINARY

4.5 CONNECTIONS AND FUNCTIONS FOR INTERFACE PINS

4.5.1 LCD panel signal processing board

CN1 socket (LCD module side): DF19L-30P-1H (Hirose Electric Co., Ltd. (HRS))

Adaptable plug: DF19-30S-1C, DF19G-30S-1C (Hirose Electric Co., Ltd. (HRS))

Pin No.	Symbol	Signal	Input data signal: 8bit		Input data signal: 6bit	Remarks
			MAP A	MAP B		
1	N.C.	N.C.	Keep this pin open			-
2	VDD	Power supply for backlight	Power supply for backlight			Note1
3	VDD					
4	GND	Ground	Ground			Note1
5	GND					
6	GND					
7	PWM	Luminance control	Luminance control			-
8	BRTC	Backlight ON/OFF control	Backlight ON/OFF control High or OPEN: ON, Low: OFF			-
9	N.C.	N.C.	Keep this pin Open.			-
10	N.C.					
11	MSL	Selection of LVDS input map	Low or Open	High	Low or Open	Note4
12	GND	Ground	Ground			Note1
13	DL0-	Pixel data	RA2-RA7,GA2	RA0-RA5,GA0		Note2
14	DL0+					
15	GND	Ground	Ground			Note1
16	DL1-	Pixel data	GA3-GA7,BA2-BA3	GA1-GA5,BA0-BA1		Note2
17	DL1+					
18	GND	Ground	Ground			Note1
19	DL2-	Pixel data	BA4-BA7,DE	BA2-BA5,DE		Note2
20	DL2+					
21	GND	Ground	Ground			Note1
22	CLKL-	Pixel clock	Pixel clock			Note2
23	CLKL+					
24	GND	Ground	Ground			Note1
25	DL3- or GND	Pixel data or Ground	RA0-RA1,GA0-GA1, BA0-BA1	RA6-RA7,GA6-GA7, BA6-BA7	Ground	Note1, Note2, Note3
26	DL3+ or GND	Pixel data or Ground				
27	GND	Ground	Ground			Note1
28	FRC	Selection of the number of colors	High		Low or Open	Note3 Note4
29	GND	Ground	Ground			Note1
30	GND					

Note1: All GND, VCC and VDD terminals should be used without any non-connected lines.

Note2: Twist pair wires with 100Ω (Characteristic impedance) should be used between LCD panel signal processing board and LVDS transmitter.

Note3: See "**4.6 DISPLAY COLORS AND INPUT DATA SIGNALS**".

Note4: See "**4.5.3 Connection between receiver and transmitter for LVDS**".

Note5: See "**4.8 SCANNING DIRECTIONS**".

PRELIMINARY

CN2 socket (LCD module side): DF19L-20P-1H (Hirose Electric Co., Ltd. (HRS))

Adaptable plug: DF19-20S-1C, DF19G-20S-1C (Hirose Electric Co., Ltd. (HRS))

Pin No.	Symbol	Signal	Input data signal: 8bit		Input data signal: 6bit	Remarks
			MAP A	MAP B		
1	GND	Ground	Ground			Note1
2	DR0-	Pixel data	RB2-RB7,GB2	RB0-RB5,GB0		Note2
3	DR0+					
4	GND	Ground	Ground			Note1
5	DR1-	Pixel data	GB3-GB7,BB2-BB3	GB1-GB5,BB0-BB1		Note2
6	DR1+					
7	GND	Ground	Ground			Note1
8	DR2-	Pixel data	BB4-BB7,DE	BB2-BB5,DE		Note2
9	DR2+					
10	GND	Ground	Ground			Note1
11	CLKR-	Pixel clock	Pixel clock			Note2
12	CLKR+					
13	GND	Ground	Ground			Note1
14	DR3- or GND	Pixel data or Ground	RB0-RB1,GB0-GB1, B0-BB1	RB6-RB7,GB6-GB7, BB6-BB7	Ground	Note1, Note2, Note3
15	DR3+ or GND	Pixel data or Ground				
16	GND	Ground	Ground			Note1
17	GND					
18	VCC	Power supply for LCD panel	Power supply for LCD panel			Note1
19	VCC					
20	VCC					

Note1: All GND, VCC and VDD terminals should be used without any non-connected lines.

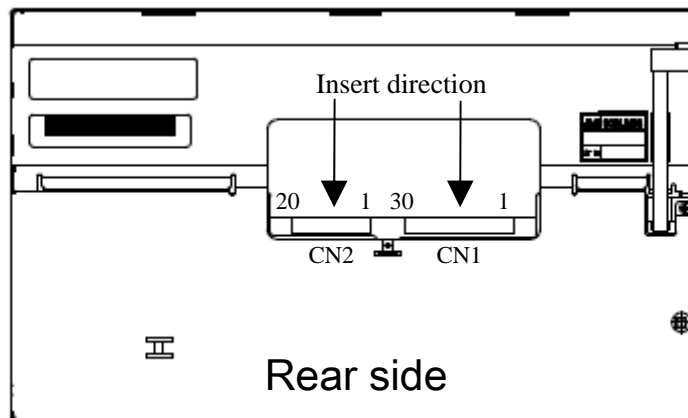
Note2: Twist pair wires with 100Ω (Characteristic impedance) should be used between LCD panel signal processing board and LVDS transmitter.

Note3: See "4.6 DISPLAY COLORS AND INPUT DATA SIGNALS".

Note4: See "4.5.3 Connection between receiver and transmitter for LVDS".

Note5: See "4.8 SCANNING DIRECTIONS".

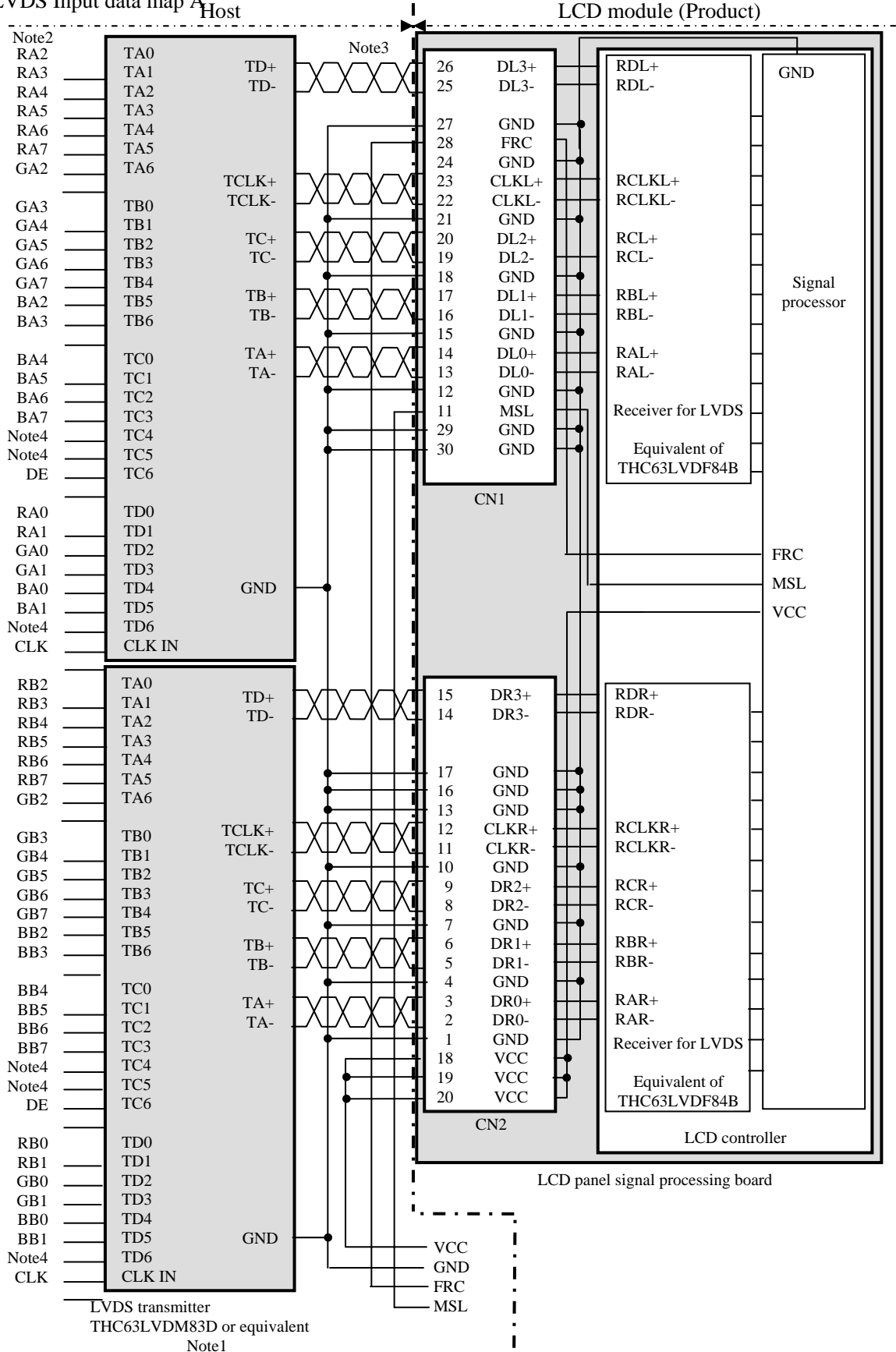
4.5.2 Positions of plug and socket



PRELIMINARY

4.5.3 Connection between receiver and transmitter for LVDS

(1) LVDS Input data map A_{Host}



PRELIMINARY

NLT Technologies, Ltd.

NL192108AC10-01D

Note1: Recommended transmitter THC63LVDM83D (THine Electronics Inc.) or equivalent

Note2: LSB (Least Significant Bit) - RA0, GA0, BA0, RB0, GB0, BB0

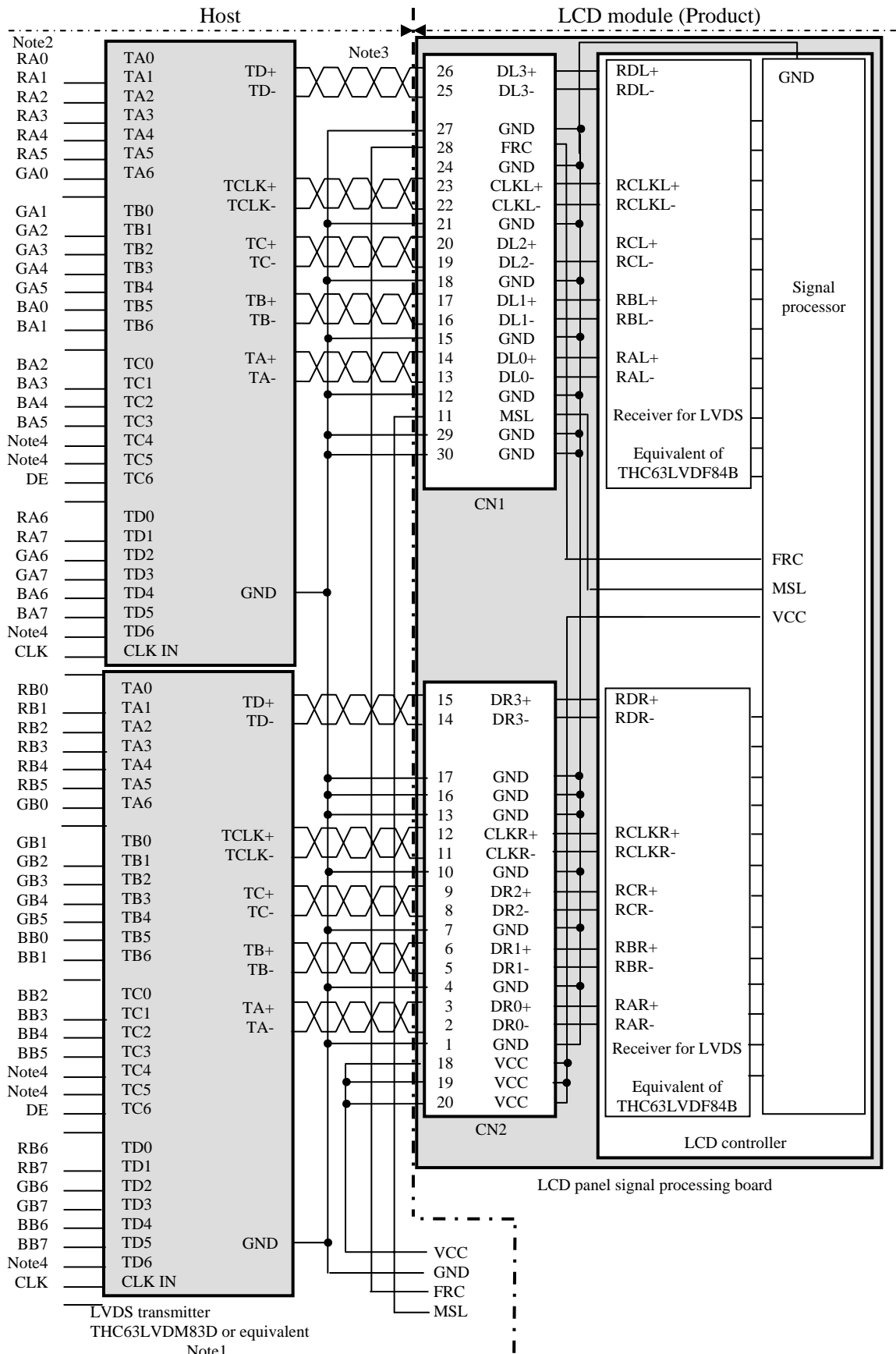
MSB (Most Significant Bit) - RA7, GA7, BA7, RB7, GB7, BB7

Note3: Twist pair wires with 100 Ω (Characteristic impedance) should be used between LCD panel signal processing board and LVDS transmitter.

Note4: Input signals to TC4, TC5 and TD6 are not used inside the product, but do not keep TC4, TC5 and TD6 open to avoid noise problem.

PRELIMINARY

(2) LVDS Input data map B



PRELIMINARY

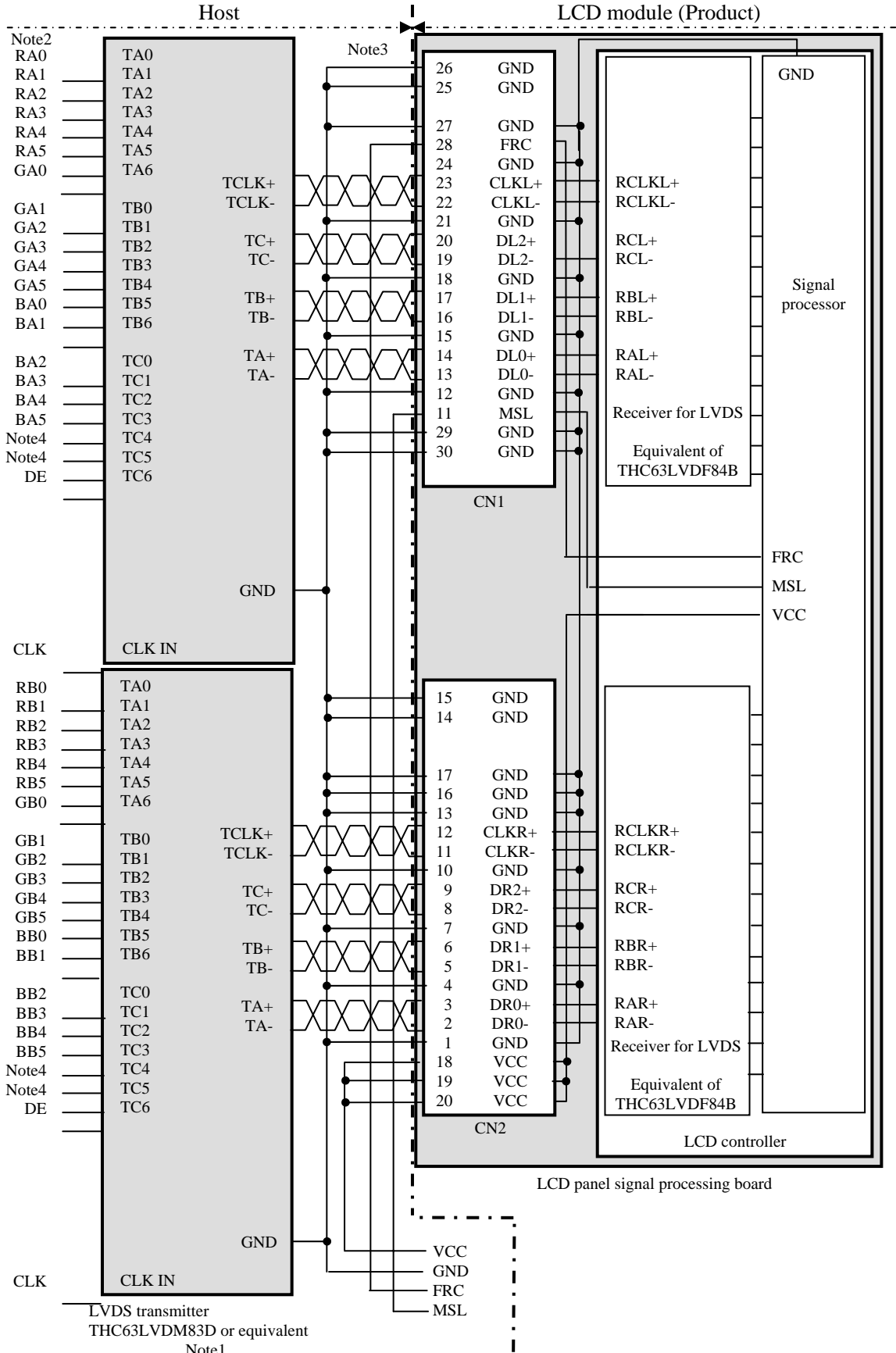
NLT Technologies, Ltd.

NL192108AC10-01D

- Note1: Recommended transmitter THC63LVDM83D (THine Electronics Inc.) or equivalent
- Note2: LSB (Least Significant Bit) - RA0, GA0, BA0, RB0, GB0, BB0
MSB (Most Significant Bit) - RA7, GA7, BA7, RB7, GB7, BB7
- Note3: Twist pair wires with 100 Ω (Characteristic impedance) should be used between LCD panel signal processing board and LVDS transmitter.
- Note4: Input signals to TC4, TC5 and TD6 are not used inside the product, but do not keep TC4, TC5 and TD6 open to avoid noise problem.

PRELIMINARY

(3) Input data signal: 6bit



PRELIMINARY

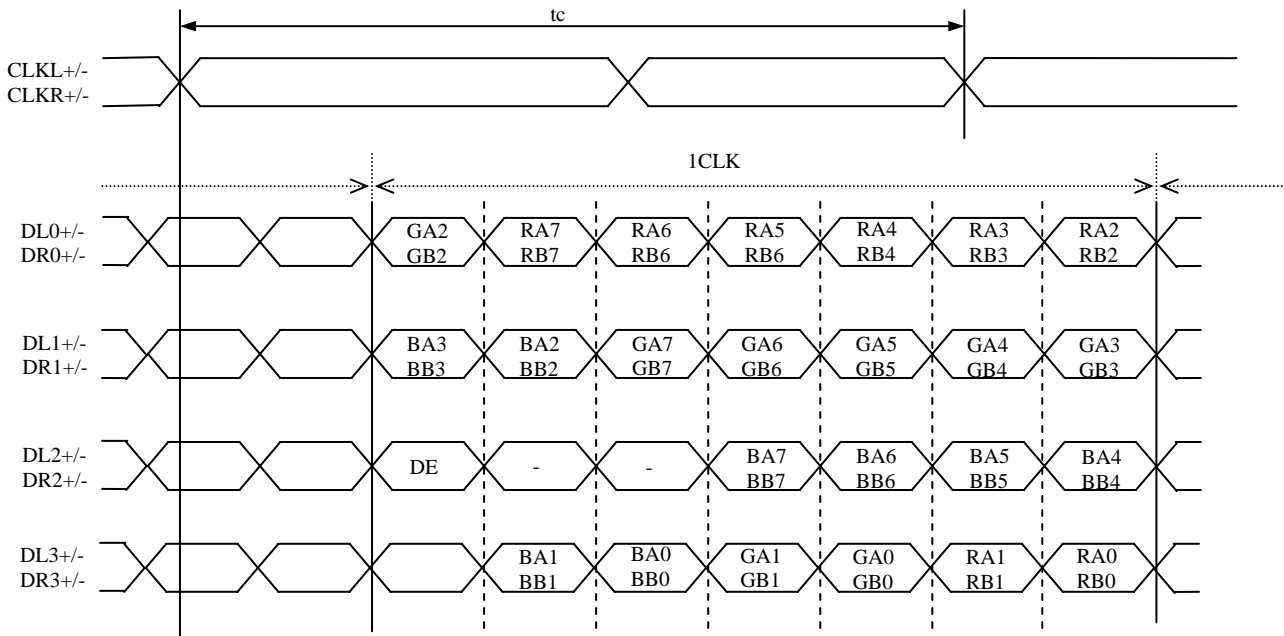
NLT Technologies, Ltd.

NL192108AC10-01D

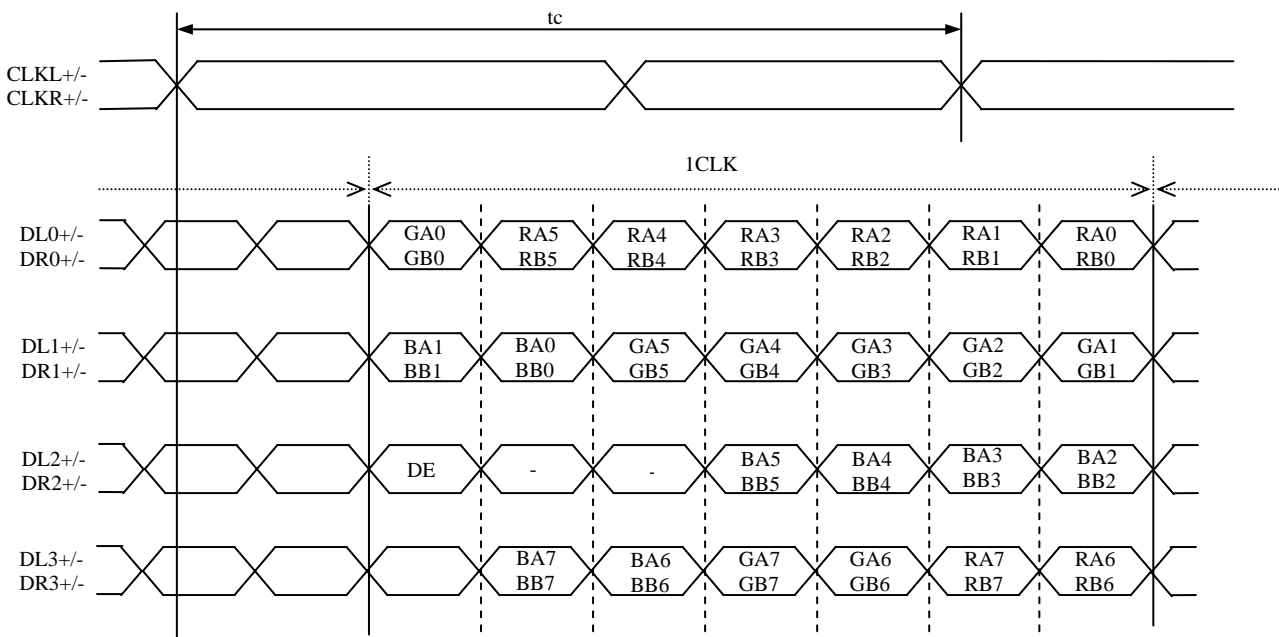
- Note1: Recommended transmitter THC63LVDM83D (THine Electronics Inc.) or equivalent
Note2: LSB (Least Significant Bit) - RA0, GA0, BA0, RB0, GB0, BB0
MSB (Most Significant Bit) - RA7, GA7, BA7, RB7, GB7, BB7
Note3: Twist pair wires with 100 Ω (Characteristic impedance) should be used between LCD panel signal processing board and LVDS transmitter.
Note4: Input signals to TC4, TC5 and TD6 are not used inside the product, but do not keep TC4, TC5 and TD6 open to avoid noise problem.

4.5.4 Input data mapping

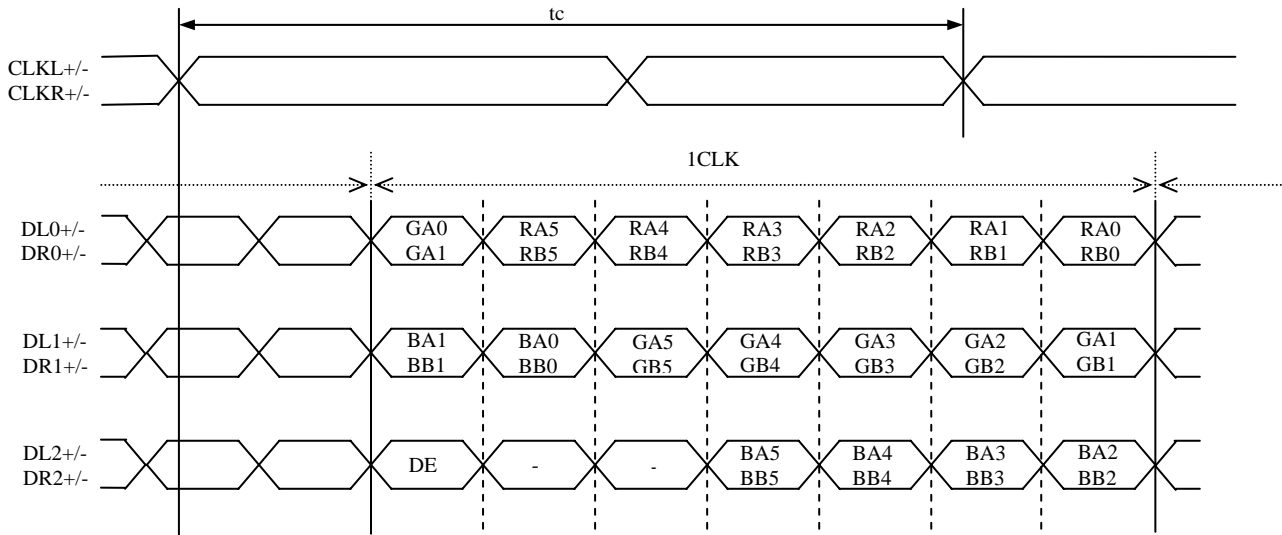
(1) Input data signal: 8bit , MAP A



(2) Input data signal: 8bit , MAP B



(3) Input data signal: 6bit



4.6 DISPLAY COLORS AND INPUT DATA SIGNALS

4.6.1 Combinations of input data signals, FRC and MSL signal

This product can display 16,777,216 colors equivalent with 256 gray scales and 262,144 colors with 64 gray scales by combination of input data signals and FRC and MSL signal. See the following table.

Combination	Input data signals	Input Data mapping	CN1- Pin No.25 and 26	FRC terminal	MSL terminal	Display colors	Remarks
			CN2 Pin No.14 and 15				
①	8 bit	Map A	DL3+/- DR3+/-	High	Low	16,777,216	Note1
②	8 bit	Map B	DL3+/- DR3+/-	High	High	16,777,216	Note1
③	6 bit	-	GND	Low or open	Low	262,144	Note2

Note1: See "4.6.2 16,777,216 colors".

Note2: See "4.6.3 262,144 colors".

PRELIMINARY

NLT Technologies, Ltd.

NL192108AC10-01D

4.6.2 16,777,216 colors

This product can display 16,777,216 colors equivalent with 256 gray scales by combination ① or ②.
(See "4.6.1 Combinations of input data signals, FRC and MSL signal".)

Also the relation between display colors and input data signals is as follows.

Display colors		Data signal (0: Low level, 1: High level)																							
		RA7 RB7	RA6 RB6	RA5 RB5	RA4 RB4	RA3 RB3	RA2 RB2	RA1 RB1	RA0 RB0	GA7 GB7	GA6 GB6	GA5 GB5	GA4 GB4	GA3 GB3	GA2 GB2	GA1 GB1	GA0 GB0	BA7 BB7	BA6 BB6	BA5 BB5	BA4 BB4	BA3 BB3	BA2 BB2	BA1 BB1	BA0 BB0
Basic Colors	Black	0	0	0	0	0	0	0	0	0	0	0	0	0	0	0	0	0	0	0	0	0	0	0	0
	Blue	0	0	0	0	0	0	0	0	0	0	0	0	0	0	0	0	1	1	1	1	1	1	1	1
	Red	1	1	1	1	1	1	1	1	0	0	0	0	0	0	0	0	0	0	0	0	0	0	0	0
	Magenta	1	1	1	1	1	1	1	1	0	0	0	0	0	0	0	0	1	1	1	1	1	1	1	1
	Green	0	0	0	0	0	0	0	0	1	1	1	1	1	1	1	1	0	0	0	0	0	0	0	0
	Cyan	0	0	0	0	0	0	0	0	1	1	1	1	1	1	1	1	1	1	1	1	1	1	1	1
	Yellow	1	1	1	1	1	1	1	1	1	1	1	1	1	1	1	1	0	0	0	0	0	0	0	0
	White	1	1	1	1	1	1	1	1	1	1	1	1	1	1	1	1	1	1	1	1	1	1	1	1
Red gray scale	Black	0	0	0	0	0	0	0	0	0	0	0	0	0	0	0	0	0	0	0	0	0	0	0	0
	dark	0	0	0	0	0	0	0	1	0	0	0	0	0	0	0	0	0	0	0	0	0	0	0	0
	↑																								
	↓																								
	bright	1	1	1	1	1	1	0	1	0	0	0	0	0	0	0	0	0	0	0	0	0	0	0	0
Red	1	1	1	1	1	1	1	0	0	0	0	0	0	0	0	0	0	0	0	0	0	0	0	0	
Green gray scale	Black	0	0	0	0	0	0	0	0	0	0	0	0	0	0	0	0	0	0	0	0	0	0	0	0
	dark	0	0	0	0	0	0	0	0	0	0	0	0	0	0	1	0	0	0	0	0	0	0	0	0
	↑																								
	↓																								
	bright	0	0	0	0	0	0	0	0	1	1	1	1	1	1	0	1	0	0	0	0	0	0	0	0
Green	0	0	0	0	0	0	0	0	1	1	1	1	1	1	1	1	0	0	0	0	0	0	0	0	
Blue gray scale	Black	0	0	0	0	0	0	0	0	0	0	0	0	0	0	0	0	0	0	0	0	0	0	0	0
	dark	0	0	0	0	0	0	0	0	0	0	0	0	0	0	0	0	0	0	0	0	0	0	0	1
	↑																								
	↓																								
	bright	0	0	0	0	0	0	0	0	0	0	0	0	0	0	0	0	1	1	1	1	1	1	0	1
Blue	0	0	0	0	0	0	0	0	0	0	0	0	0	0	0	0	1	1	1	1	1	1	1	0	

PRELIMINARY

4.6.3 262,144 colors

This product can display 262,144 colors with 64 gray scales by combination ③.
 (See "4.6.1 Combinations of input data signals, FRC and MSL signal".)
 Also the relation between display colors and input data signals is as follows.

Display colors		Data signal (0: Low level, 1: High level)																	
		RA5 RB5	RA4 RB4	RA3 RB3	RA2 RB2	RA1 RB1	RA0 RB0	GA5 GB5	GA4 GB4	GA3 GB3	GA2 GB2	GA1 GB1	GA0 GB0	BA5 BB5	BA4 BB4	BA3 BB3	BA2 BB2	BA1 BB1	BA0 BB0
Basic colors	Black	0	0	0	0	0	0	0	0	0	0	0	0	0	0	0	0	0	0
	Blue	0	0	0	0	0	0	0	0	0	0	0	0	1	1	1	1	1	1
	Red	1	1	1	1	1	1	0	0	0	0	0	0	0	0	0	0	0	0
	Magenta	1	1	1	1	1	1	0	0	0	0	0	0	1	1	1	1	1	1
	Green	0	0	0	0	0	0	1	1	1	1	1	1	0	0	0	0	0	0
	Cyan	0	0	0	0	0	0	1	1	1	1	1	1	1	1	1	1	1	1
	Yellow	1	1	1	1	1	1	1	1	1	1	1	1	0	0	0	0	0	0
	White	1	1	1	1	1	1	1	1	1	1	1	1	1	1	1	1	1	1
Red gray scale	Black	0	0	0	0	0	0	0	0	0	0	0	0	0	0	0	0	0	0
	dark	0	0	0	0	0	1	0	0	0	0	0	0	0	0	0	0	0	0
	↑																		
	↓																		
	bright	1	1	1	1	0	1	0	0	0	0	0	0	0	0	0	0	0	0
Green gray scale	Black	0	0	0	0	0	0	0	0	0	0	0	0	0	0	0	0	0	0
	dark	0	0	0	0	0	0	0	0	0	0	0	1	0	0	0	0	0	0
	↑																		
	↓																		
	bright	0	0	0	0	0	0	1	1	1	1	0	1	0	0	0	0	0	0
Blue gray scale	Black	0	0	0	0	0	0	0	0	0	0	0	0	0	0	0	0	0	0
	dark	0	0	0	0	0	0	0	0	0	0	0	0	0	0	0	0	0	1
	↑																		
	↓																		
	bright	0	0	0	0	0	0	0	0	0	0	0	0	1	1	1	1	0	1
Blue		0	0	0	0	0	0	0	0	0	0	0	0	1	1	1	1	1	0
	Blue	0	0	0	0	0	0	0	0	0	0	0	0	1	1	1	1	1	1

PRELIMINARY

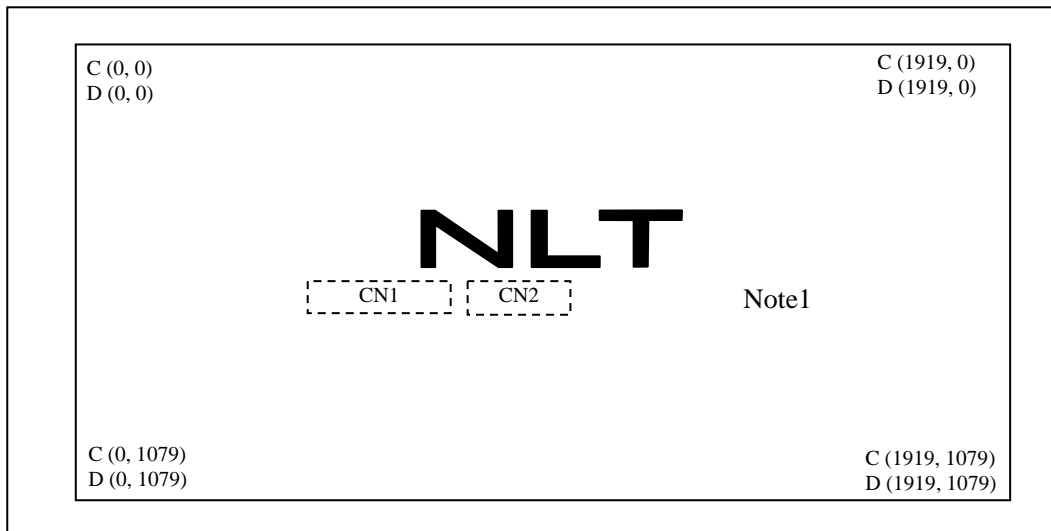
4.7 DISPLAY POSITIONS

The following table is the coordinates per pixel.

C (0, 0)								C (960, 0)		
RA	GA	BA						RB	GB	BB
C(0, 0)	C(1, 0)	. . .	C(959, 0)	C(960, 0)	. . .	C(1918, 0)	C(1919, 0)			
C(0, 1)	C(1, 1)	. . .	C(959, 1)	C(960, 1)	. . .	C(1918, 1)	C(1919, 1)			
.			
.			
.			
C(0, Y)	C(1, Y)	. . .	C(959, Y)	C(960, Y)	. . .	C(1918, Y)	C(1919, Y)			
.			
.			
.			
C(0, 1078)	C(1, 1078)	. . .	C(959, 1078)	C(960, 1078)	. . .	C(1918,1078)	C(1919,1078)			
C(0, 1079)	C(1, 1079)	. . .	C(959, 1079)	C(960, 1079)	. . .	C(1918,1079)	C(1919,1079)			

4.8 DISPLAY DIRECTIONS

The following figures are seen from a front view.



Note1: Meaning of C (X, Y) and D (X, Y)

C (X, Y): The coordinates of the display position (See "4.7 DISPLAY POSITIONS".)

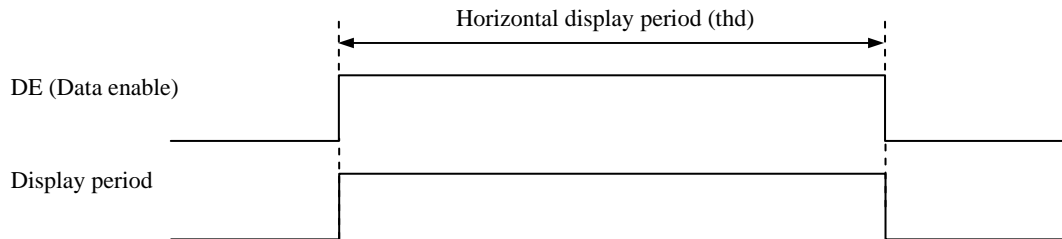
D (X, Y): The data number of input signal for LCD panel signal processing board

4.9 INPUT SIGNAL TIMINGS

4.9.1 Outline of input signal timings

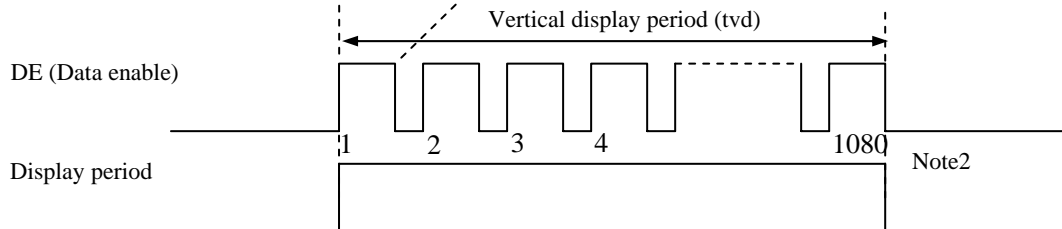
- Horizontal signal

Note1



- Vertical signal

Note1



Note1: This diagram indicates virtual signal for set up to timing.

Note2: See "4.9.3 Input signal timing chart" for the pulse number.

PRELIMINARY

4.9.2 Timing characteristics

(Note1, Note2, Note3)

Parameter		Symbol	min.	typ.	max.	Unit	Remarks	
CLK	Frequency	1/tc	59.38	74.59	82.40	MHz	13.406ns (typ.)	
	Duty	-	-			-	-	
	Rise time, Fall time	-	-			ns	-	
DATA	CLK-DATA	Setup time	-	-		ns	-	
		Hold time	-	-		ns		
	Rise time, Fall time	-	-		ns			
DE	Horizontal	Cycle	th	13.59	15.02	18.86	μs	66.6 kHz (typ.)
		Display period	thd	-	1120	-	CLK	
	Vertical (One frame)	Cycle	tv	15.09	16.67	20.84	ms	60 .0Hz (typ.)
		Display period	tvd	1080			H	
	CLK-DE	Setup time	-	-		ns	-	
		Hold time	-	-		ns		
Rise time, Fall time	-	-		ns				

Note1: Definition of parameters is as follows.

$$tc = 1CLK, th = 1H$$

Note2: See the data sheet of LVDS transmitter.

Note3: Vertical cycle (tv) should be specified in integral multiple of Horizontal cycle (th).

2

2

2

2

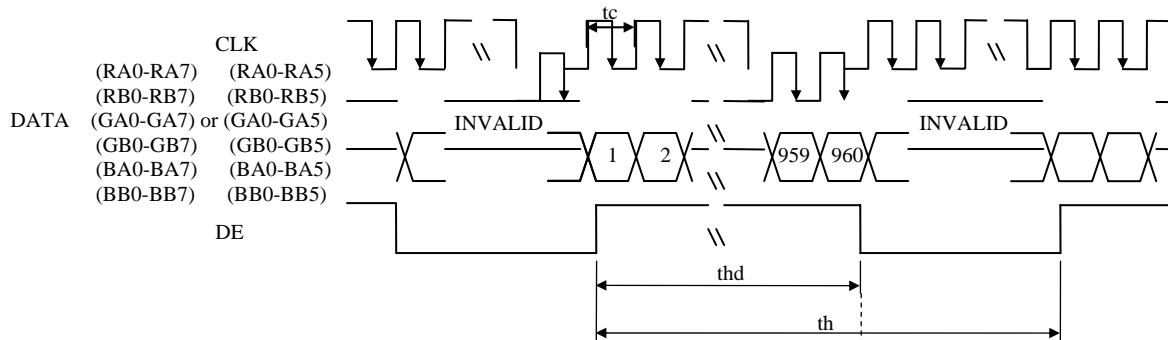
2

2

2

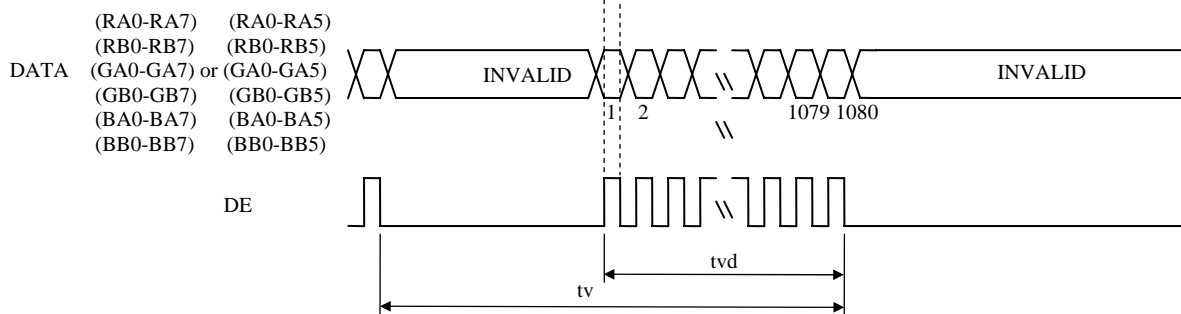
4.9.3 Input signal timing chart

Horizontal timing



2

Vertical timing



2

4.10 OPTICS

4.10.1 Optical characteristics

(Note1, Note2)

Parameter	Condition	Symbol	min.	typ.	max.	Unit	Measuring instrument	Remarks	
Luminance	White at center $\theta R=0^\circ, \theta L=0^\circ, \theta U=0^\circ, \theta D=0^\circ$	L	TBD	(400)	-	cd/m ²	BM-5A	-	
Contrast ratio	White/Black at center $\theta R=0^\circ, \theta L=0^\circ, \theta U=0^\circ, \theta D=0^\circ$	CR	TBD	TBD	-	-	BM-5A	Note3	
Luminance uniformity	White $\theta R=0^\circ, \theta L=0^\circ, \theta U=0^\circ, \theta D=0^\circ$	LU	-	1.25	1.40	-	BM-5A	Note4	
Chromaticity	White	x coordinate	W _x	0.263	0.313	0.363	-	SR-3	Note5
		y coordinate	W _y	0.279	0.329	0.379	-		
	Red	x coordinate	R _x	-	TBD	-	-		
		y coordinate	R _y	-	TBD	-	-		
	Green	x coordinate	G _x	-	TBD	-	-		
		y coordinate	G _y	-	TBD	-	-		
Blue	x coordinate	B _x	-	TBD	-	-			
	y coordinate	B _y	-	TBD	-	-			
Color gamut	$\theta R=0^\circ, \theta L=0^\circ, \theta U=0^\circ, \theta D=0^\circ$ at center, against NTSC color space	C	TBD	72	-	%			
Response time	Black to White	T _{on}	-	13	-	ms	BM-5A	Note6	
	White to Black	T _{off}	-	12	-	ms	-10000	Note7	
Viewing angle	Right	$\theta U=0^\circ, \theta D=0^\circ, CR \geq 10$	θR	70	88	-	EZ Contrast	Note8	
	Left	$\theta U=0^\circ, \theta D=0^\circ, CR \geq 10$	θL	70	88	-			
	Up	$\theta R=0^\circ, \theta L=0^\circ, CR \geq 10$	θU	70	88	-			
	Down	$\theta R=0^\circ, \theta L=0^\circ, CR \geq 10$	θD	70	88	-			

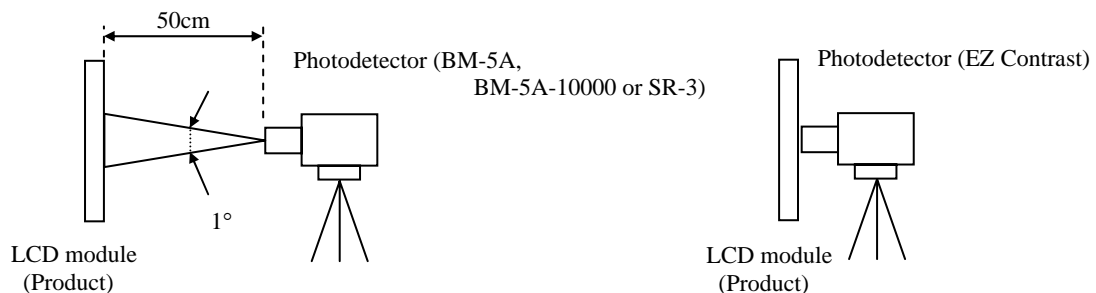
Note1: These are initial characteristics.

Note2: Measurement conditions are as follows.

T_a = 25°C, VCC = 3.3V, VDD = 12.0V, PWM: Duty 100%,

Display mode: FHD, Horizontal cycle = 1/66.6kHz, Vertical cycle = 1/60.0Hz,

Optical characteristics are measured at luminance saturation 20minutes after the product works, in the dark room. Also measurement methods are as follows.



Note3: See "4.10.2 Definition of contrast ratio".

Note4: See "4.10.3 Definition of luminance uniformity".

Note5: These coordinates are found on CIE 1931 chromaticity diagram.

Note6: Product surface temperature: TopF = TBD°C

Note7: See "4.10.4 Definition of response times".

Note8: See "4.10.5 Definition of viewing angles".

4.10.2 Definition of contrast ratio

The contrast ratio is calculated by using the following formula.

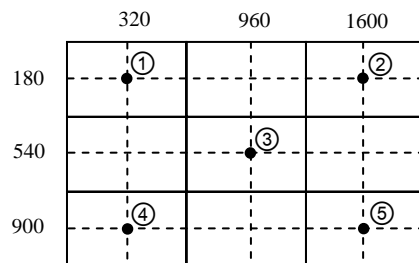
$$\text{Contrast ratio (CR)} = \frac{\text{Luminance of white screen}}{\text{Luminance of black screen}}$$

4.10.3 Definition of luminance uniformity

The luminance uniformity is calculated by using following formula.

$$\text{Luminance uniformity (LU)} = \frac{\text{Minimum luminance from ① to ⑤}}{\text{Maximum luminance from ① to ⑤}} \quad [\%]$$

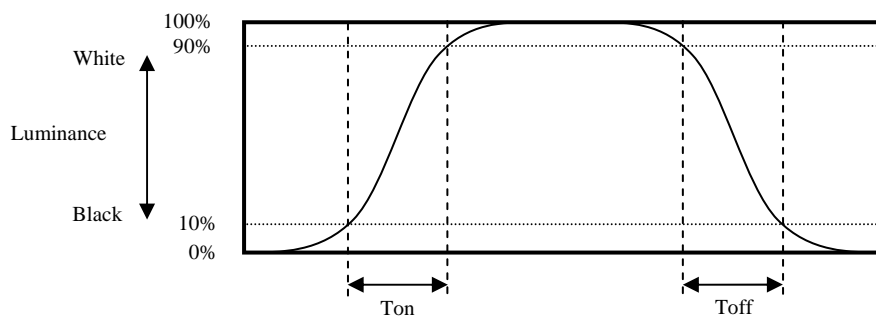
The luminance is measured at near the 5 points shown below.



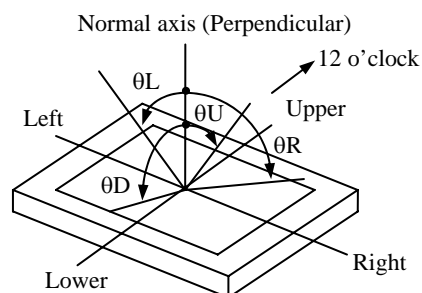
2
2
2
2
2

4.10.4 Definition of response times

Response time is measured at the time when the luminance changes from "black" to "white", or "white" to "black" on the same screen point, by photo-detector. Ton is the time when the luminance changes from 10% up to 90%. Also Toff is the time when the luminance changes from 90% down to 10% (See the following diagram.).



4.10.5 Definition of viewing angles



PRELIMINARY

5. ESTIMATED LUMINANCE LIFETIME

The luminance lifetime is the time from initial luminance to half-luminance.

This lifetime is the estimated value, and is not guarantee value.

Condition		Estimated luminance lifetime (Life time expectancy) Note1, Note2, Note3	Unit
LED elementary substance	25°C (Ambient temperature of the product) Continuous operation, PWM Duty:100%	(70,000)	h

Note1: Life time expectancy is mean time to half-luminance.

Note2: Estimated luminance lifetime is not the value for an LCD module but the value for LED elementary substance.

Note3: By ambient temperature, the lifetime changes particularly. Especially, in case the product works under high temperature environment, the lifetime becomes short.

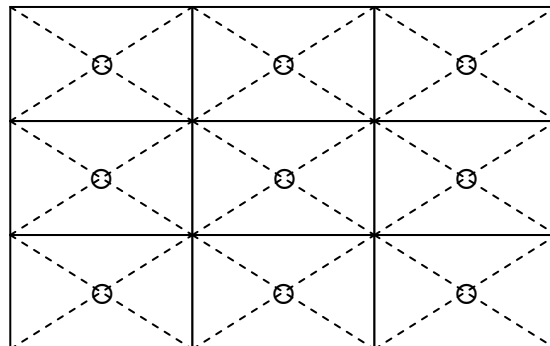
PRELIMINARY

6. RELIABILITY TESTS

Test item	Condition	Judgment	Note1
High temperature and humidity (Operation)	① +60 ± 2°C, RH= 90%, 240hours ② Display data is white.	No display malfunctions	
High temperature (Operation)	① +70 ± 3°C, 240hours ② Display data is white.		
Heat cycle (Operation)	① -20 ± 3°C...1hour +70 ± 3°C...1hour ② 50cycles, 4hours/cycle ③ Display data is white		
Thermal shock (Non operation)	① -30 ± 3°C...30minutes +80 ± 3°C...30minutes ② 100cycles, 1hour/cycle ③ Temperature transition time is within 5 minutes.		
ESD (Operation)	① 150pF, 150Ω, ±10kV ② 9 places on a panel surface Note2 ③ 10 times each points at 1 sec interval		
Dust (Operation)	① Sample dust: No. 15 (by JIS-Z8901) ② 15 seconds stir ③ 8 times repeat at 1 hour interval		
Vibration (Non operation)	① 5 to 100Hz, 19.6m/s ² ② 1 minute/cycle ③ X, Y, Z directions ④ 120 times each directions	No display malfunctions No physical damages	
Mechanical shock (Non operation)	① 539m/ s ² , 11ms ② ±X, ±Y, ±Z directions ③ 5 times each directions		

Note1: Display and appearance are checked under environmental conditions equivalent to the inspection conditions of defect criteria.

Note2: See the following figure for discharge points.



7. PRECAUTIONS

7.1 MEANING OF CAUTION SIGNS

The following caution signs have very important meaning. **Be sure to read "7.2 CAUTIONS" and "7.3 ATTENTIONS"!**



This sign has the meaning that a customer will be injured or the product will sustain damage if the customer practices wrong operations.



This sign has the meaning that a customer will be injured if the customer practices wrong operations.

7.2 CAUTIONS



*** Do not shock and press the LCD panel and the backlight! There is a danger of breaking, because they are made of glass. (Shock: Equal to or no greater than 539m/s² and equal to or no greater than 11ms, Pressure: Equal to or no greater than 19.6 N (φ16mm jig))**

7.3 ATTENTIONS



7.3.1 Handling of the product

- ① Take hold of both ends without touching the circuit board when the product (LCD module) is picked up from inner packing box to avoid broken down or misadjustment, because of stress to mounting parts on the circuit board.
- ② When the product is put on the table temporarily, display surface must be placed downward.
- ③ When handling the product, take the measures of electrostatic discharge with such as earth band, ionic shower and so on, because the product may be damaged by electrostatic.
- ④ The torque for product mounting screws must never exceed 0.147N·m. Higher torque might result in distortion of the bezel. And the length of product mounting screws must be ≤ 2.0mm.
- ⑤ The product must be installed using mounting holes without undue stress such as bends or twist (See outline drawings). And do not add undue stress to any portion (such as bezel flat area). Bends or twist described above and undue stress to any portion may cause display mura.
- ⑥ Do not press or rub on the sensitive product surface. When cleaning the panel surface, wipe it with a soft dry cloth.
- ⑦ Do not push or pull the interface connectors while the product is working. When handling the product, use of an original protection sheet on the product surface (polarizer) is recommended for protection of product surface. Adhesive type protection sheet may change color or characteristics of the polarizer.
- ⑧ Usually liquid crystals don't leak through the breakage of glasses because of the surface tension of thin layer and the construction of LCD panel. But, if you contact with liquid crystal by any chance, please wash it away with soap and water.

7.3.2 Environment

- ① Do not operate or store in high temperature, high humidity, dewdrop atmosphere or corrosive gases. Keep the product in packing box with antistatic pouch in room temperature to avoid dusts and sunlight, when storing the product.
- ② In order to prevent dew condensation occurred by temperature difference, the product packing box must be opened after enough time being left under the environment of an unpacking room. Evaluate the storage time sufficiently because dew condensation is affected by the environmental temperature and humidity. (Recommended leaving time: 6 hours or more with the original packing state after a customer receives the package)
- ③ Do not operate in high magnetic field. If not, circuit boards may be broken.
- ④ This product is not designed as radiation hardened.

7.3.3 Characteristics

The following items are neither defects nor failures.

- ① Characteristics of the LCD (such as response time, luminance, color uniformity and so on) may be changed depending on ambient temperature. If the product is stored under condition of low temperature for a long time, it may cause display mura. In this case, the product should be operated after enough time being left under condition of operating temperature.
- ② Display mura, flickering, vertical streams or tiny spots may be observed depending on display patterns.
- ③ Do not display the fixed pattern for a long time because it may cause image sticking. Use a screen saver, if the fixed pattern is displayed on the screen.
- ④ The display color may be changed depending on viewing angle because of the use of condenser sheet in the backlight.
- ⑤ Optical characteristics may be changed depending on input signal timings.

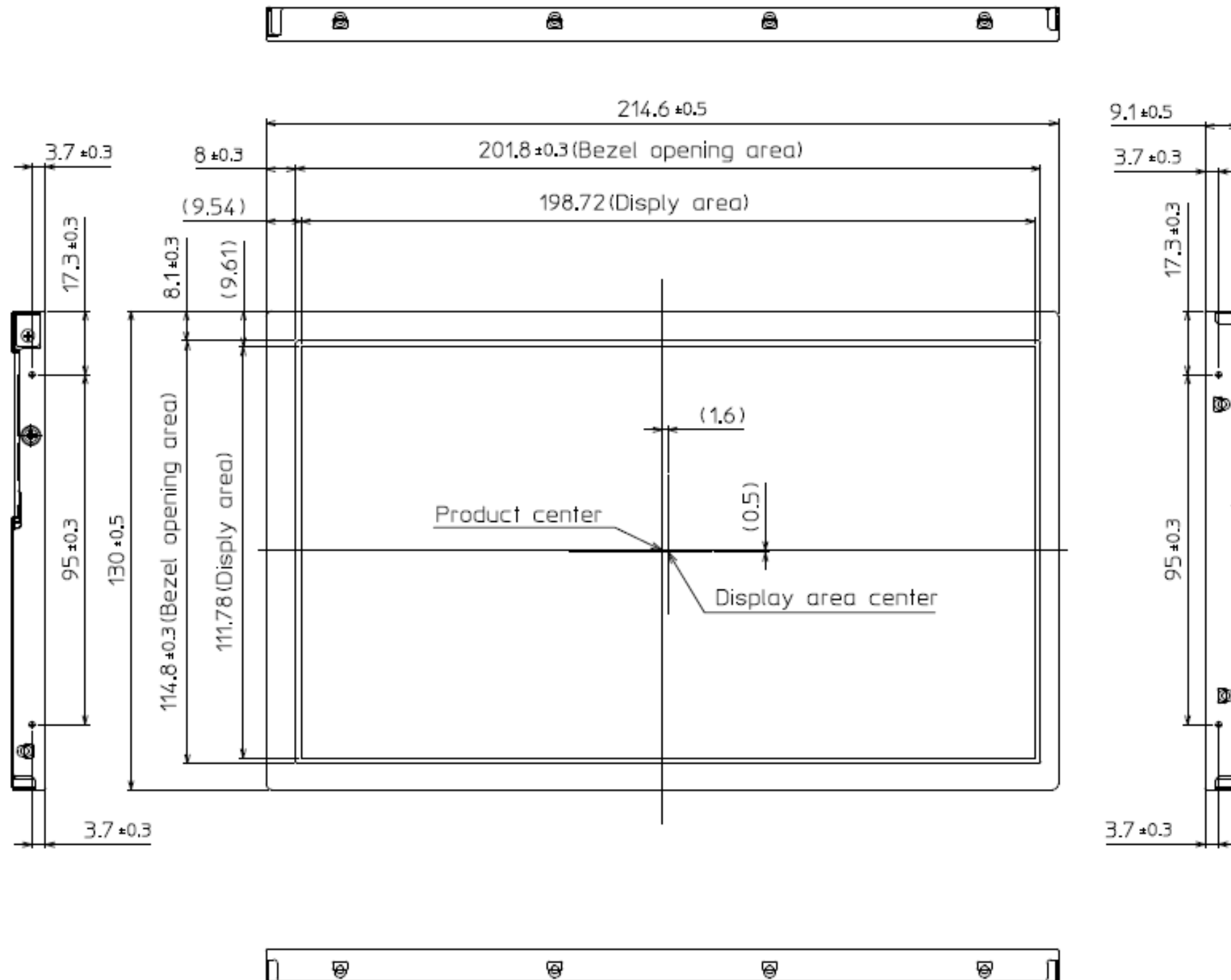
7.3.4 Others

- ① All GND, VCC and VDD terminals should be used without any non-connected lines.
- ② Do not disassemble a product or adjust variable resistors.
- ③ See "REPLACEMENT MANUAL FOR LAMP HOLDER SET", when replacing lamp holder set.
- ④ Pack the product with the original shipping package, in order to avoid any damages during transportation, when returning the product to NLT for repairing and so on.

8. OUTLINE DRAWINGS

8.1 FRONT VIEW

2

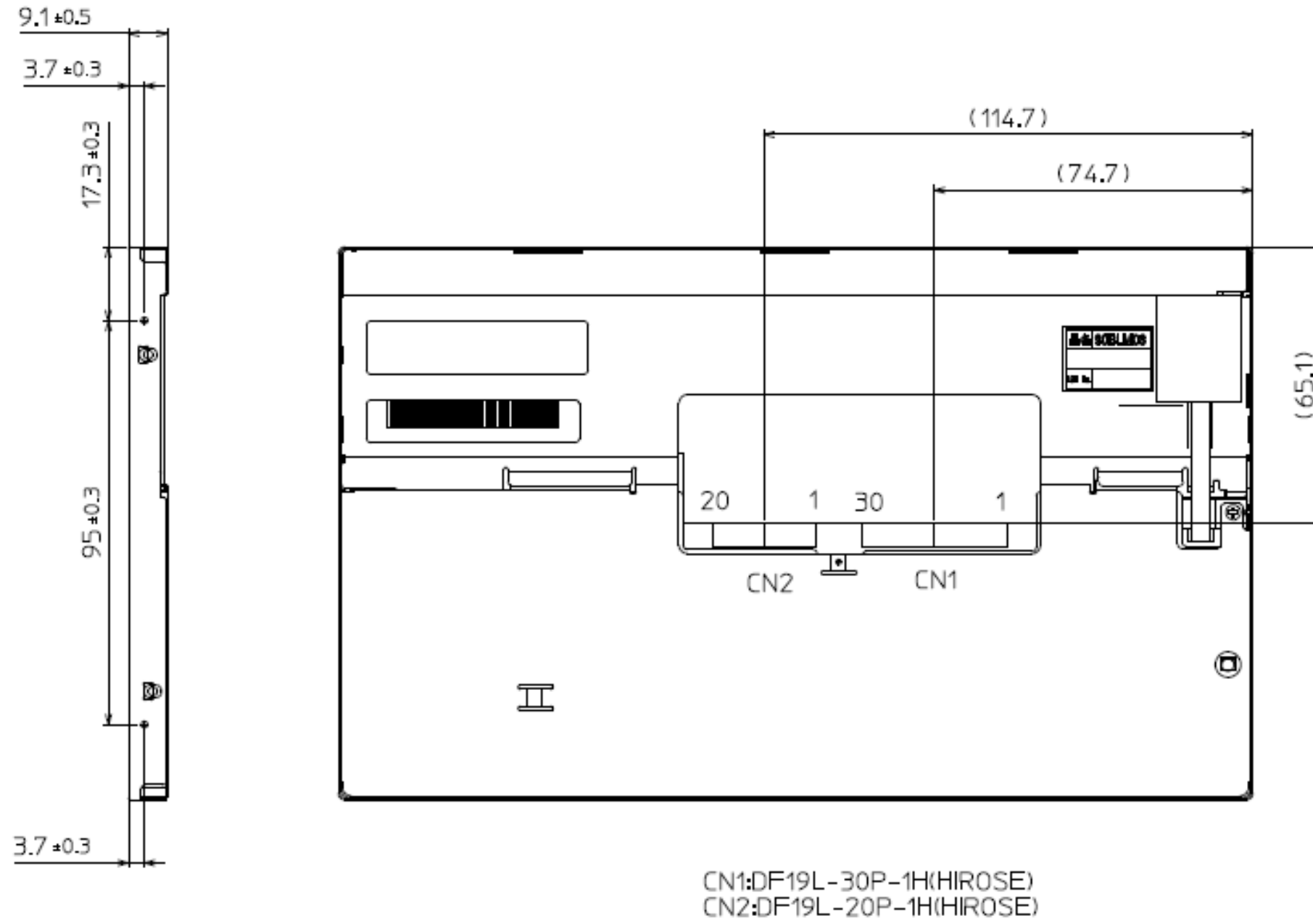


Note1: The values in parentheses are for reference.

Note2: The torque for product mounting screws must never exceed 0.147N·m. And the length of product mounting screws must be ≤ 2.0mm.

Unit: mm

8.2 REAR VIEW



Note1: The values in parentheses are for reference.

Note2: The torque for product mounting screws must never exceed 0.147N·m. And the length of product mounting screws must be ≤ 2.0 mm.

Unit: mm

PRELIMINARY


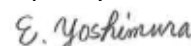

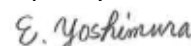

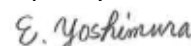
REVISION HISTORY

The inside of latest specifications is revised to the clerical error and the major improvement of previous edition. Only a changed part such as functions, characteristic value and so on that may affect a design of customers, are described especially below.

Edition	Document number	Prepared date	Revision contents and signature
1st edition	DOD-MDA-0606	Feb. 29, 2012	<p>Revision contents</p> <p>New issue</p> <p>Write</p> <p>Approved by <u>T. KANATSU</u> Checked by _____ Prepared by <u>H. MIYAUCHI</u></p>
2nd edition	DOD-PP-1438	Jun. 08, 2012	<p>Revision contents</p> <p>P5 GENERAL SPECIFICATIONS</p> <ul style="list-style-type: none"> •Module size: (10.0) (D) mm (typ.) → (9.1) (D) mm (typ.) •Polarizer surface: (Haze:41%) (addition) •Polarizer pencil-hardness: (3H) → (2H) <p>P7 MECHANICAL SPECIFICATIONS</p> <ul style="list-style-type: none"> •Module size: (10.0) ± 0.5 (D) mm → (9.1) ± 0.5 (D) mm •Weight: TBD g (max.) → 330 g (max.) <p>P8 LCD panel signal processing board</p> <ul style="list-style-type: none"> •Power supply current: (1800) mA (max.) → (1440) mA (max.) <p>P9 Fuse: VDD: TBD → specified</p> <p>P17 Input data signal 6bit</p> <ul style="list-style-type: none"> •LCD module (Product) - CN1: 27 GND (addition) - CN2: 14 GND , 15 GND (addition) - LCD controller: Equivalent of THC63LVDF84B (addition) <p>P24 Outline of input signal timing</p> <ul style="list-style-type: none"> •Vertical signal <ul style="list-style-type: none"> •768 → 1080 <p>P25 Timing characteristics</p> <ul style="list-style-type: none"> •CLK - Frequency : 67.05 MHz (min.) → 59.38 MHz (min.) •DE - Horizontal - Cycle: 14.68 μs (min.) → 13.59 μs (min.) : 15.36 μs (max.) → 18.86 μs (max.) : 1030 CLK (min.) → - CLK (min.) -Vertical - Cycle: 15.93 μs (min.) → 15.09 μs (min.) : 17.43 μs (max.) → 20.84 μs (max.) : 1085 CLK (min.) → - CLK (min.) <p>P26 Input signal timing chart</p> <ul style="list-style-type: none"> •Horizontal timing <ul style="list-style-type: none"> •1279 → 959, 1280 → 960 •Vertical timing <ul style="list-style-type: none"> •767 → 1079, 768 → 1080 <p>P27 Optical characteristics</p> <ul style="list-style-type: none"> •Viewing angle - θR, θL, θU, θD : - ° (min.) → 70 ° (min.) •Note2 - Display mode: WXGA → FHD <ul style="list-style-type: none"> - Horizontal cycle : 1/47.396kHz → 1/66.6kHz - Vertical cycle: 1/59.995Hz → 1/60.0Hz -Photodetector: BM-5A-10000 (addition)

PRELIMINARY

REVISION HISTORY

Edition	Document number	Prepared date	Revision contents and signature			
2nd edition	DOD-PP-1438	Jun. 08, 2012	<p>Revision contents</p> <p>P28 Definition of luminance uniformity</p> <ul style="list-style-type: none"> • 5points - ①: 213,128 → 320,180 ②: 1067,128 → 1600,180 ③: 640,384 → 960,540 ④: 213, 640 → 320,900 ⑤: 1067, 640 → 1600, 900 <p>P31 Handling of the product</p> <ul style="list-style-type: none"> • ④0.23N·m → 0.147, ≤2.5mm → ≤2.0mm <p>P33 OUTLINE DRAWINGS</p> <ul style="list-style-type: none"> • FRONT VIEW (revised) <ul style="list-style-type: none"> • 3.7 → 3.7 ± 0.3 (4points) • 17.3 → 17.3 ± 0.3 (2points) • 95 → 95 ± 0.3 (2points) • 130 → 130 ± 0.3 • 8.1 → 8.1 ± 0.3 • 114.8 → 114.8 ± 0.3 • 8 → 8 ± 0.3 • 214.6 → 214.6 ± 0.5 • 201.8 → 201.8 ± 0.3 • 10 → 9.1 ± 0.5 <p>Signature of writer</p> <table style="width: 100%; border: none;"> <tr> <td style="text-align: center; width: 33%;"> <i>Approved by</i>  <hr style="width: 100%;"/> T. OGAWA </td> <td style="text-align: center; width: 33%;"> <i>Checked by</i> <hr style="width: 100%;"/> </td> <td style="text-align: center; width: 33%;"> <i>Prepared by</i>  <hr style="width: 100%;"/> E. YOSHIMURA </td> </tr> </table>	<i>Approved by</i>  <hr style="width: 100%;"/> T. OGAWA	<i>Checked by</i> <hr style="width: 100%;"/>	<i>Prepared by</i>  <hr style="width: 100%;"/> E. YOSHIMURA
<i>Approved by</i>  <hr style="width: 100%;"/> T. OGAWA	<i>Checked by</i> <hr style="width: 100%;"/>	<i>Prepared by</i>  <hr style="width: 100%;"/> E. YOSHIMURA				