

# MAX solutions

## Micro-Interconnects for Medical Cable Applications



Mill-Max offers two new pin/socket interconnect pairs for high-density grid applications such as the termination of medical cables. Both pin and receptacle are manufactured using precision turning technology. The receptacle shell is seamless and sturdy, and comes assembled with a hi-rel. BeCu spring contact that makes excellent electrical and mechanical contact to the mating pin. Insertion/extraction forces are low permitting their use in high-density arrays. All components are gold-plated.

Interconnect pairs are suitable for .050" and 2mm pitch grid applications. Both the male pins and female receptacles are terminated with back holes for the attachment of fine gage instrument wires.

Interconnect pair for .050" pitch applications:

Male Pin - Mill-Max part 4194-0-00-15-00-00-08-0  
Female Receptacle - Mill-Max part 4195-0-19-15-04-14-10-0

Interconnect pair for 2mm pitch applications:

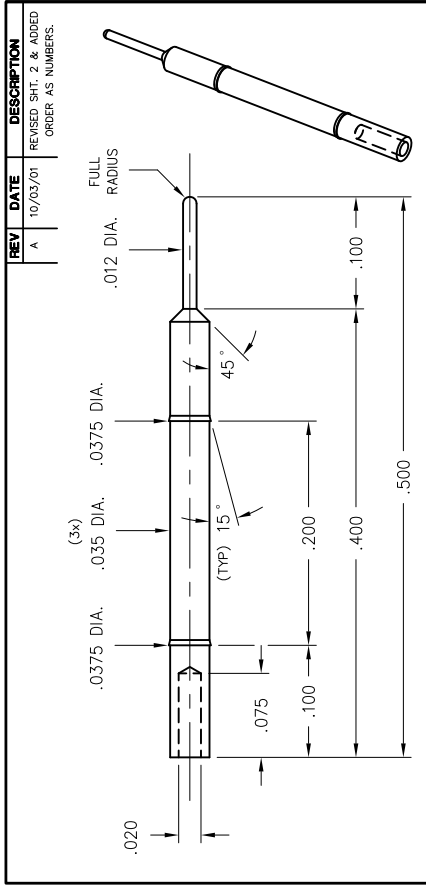
Male Pin - Mill-Max part 5556-0-00-15-00-00-38-0  
Female Receptacle - Mill-Max part 5557-0-19-15-21-14-10-0

For more information, please visit: [www.mill-max.com/PR532](http://www.mill-max.com/PR532).

(2/11-532)

Mill-Max Mfg. Corp. • 190 Pine Hollow Road, Oyster Bay, NY 11771-0300  
516-922-6000 • Fax: 516-922-9253 • [www.mill-max.com](http://www.mill-max.com)



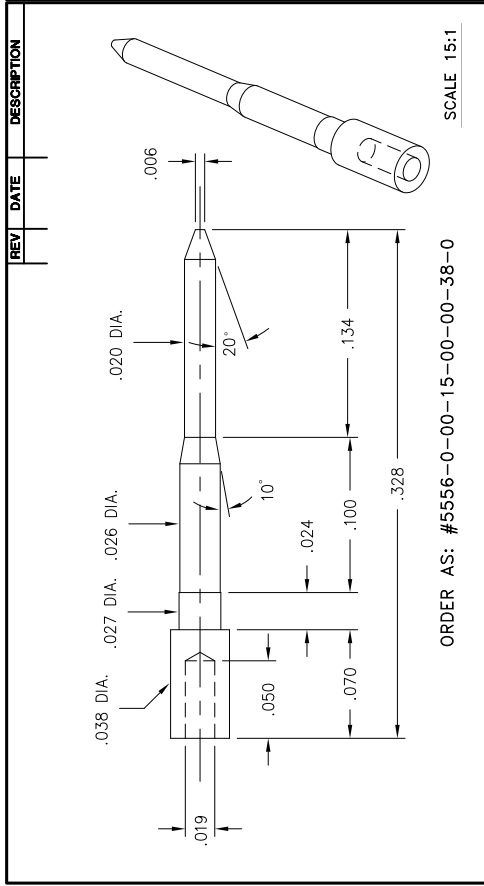


**MILL-MAX® MFG. CORP.**  
 P.O. BOX 300, 180 PINE HOLLOW ROAD, OYSTER BAY, NY 11771-0000  
 TEL: (516) 922-6000 FAX: (516) 922-9253 WEB: WWW.MILL-MAX.COM

ALL DIMENSIONS IN INCHES	SCALE	DATE	DRAWN	CHECKED	ENG. APPROVAL	DATE
INSULATOR TOLERANCES	13:1	10/02/01	D.M.			
PN TOLERANCES BEFORE PLATING						
LENGTHS: ±.005						
THICKNESS: ±.002						
DIAMETERS: ±.002						
HOLES: ±.002						
HOLES TO HOLE: ±.001						
NONACCUMULATIVE						

TITLE: .500" LONG CUSTOM PIN  
 CUSTOMER APPROVAL: \_\_\_\_\_  
 DATE: \_\_\_\_\_  
 PROPOSAL NUMBER: PS-3663  
 REV: A

NOTES:  
 1. PIN MATERIAL: BRASS ALLOY 360, 1/2 HARD.  
 2. PIN FINISH: 10 μ" GOLD OVER 100 μ" NICKEL.

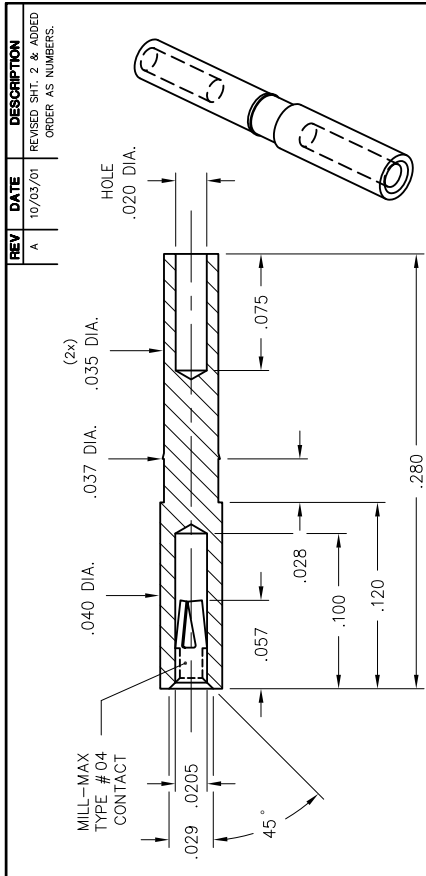


**MILL-MAX® MFG. CORP.**  
 P.O. BOX 300, 180 PINE HOLLOW ROAD, OYSTER BAY, NY 11771-0000  
 TEL: (516) 922-6000 FAX: (516) 922-9253 WEB: WWW.MILL-MAX.COM

ALL DIMENSIONS IN INCHES	SCALE	DATE	DRAWN	CHECKED	ENG. APPROVAL	DATE
INSULATOR TOLERANCES	18:1	10/23/01	D.M.			
PN TOLERANCES BEFORE PLATING						
LENGTHS: ±.005						
THICKNESS: ±.002						
DIAMETERS: ±.002						
HOLES: ±.002						
HOLES TO HOLE: ±.001						
NONACCUMULATIVE						

TITLE: .328" LONG CUSTOM PIN  
 CUSTOMER APPROVAL: \_\_\_\_\_  
 DATE: \_\_\_\_\_  
 PROPOSAL NUMBER: PL-3678  
 REV: -

NOTES:  
 1. PIN MATERIAL: BRASS ALLOY.  
 2. PIN FINISH: 10 μ" GOLD OVER 100 μ" NICKEL.

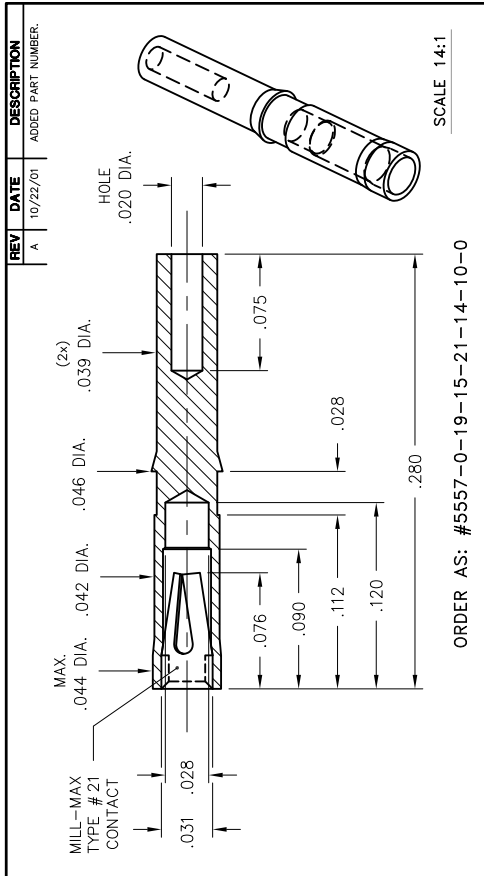


**MILL-MAX® MFG. CORP.**  
 P.O. BOX 300, 180 PINE HOLLOW ROAD, OYSTER BAY, NY 11771-0000  
 TEL: (516) 922-6000 FAX: (516) 922-9253 WEB: WWW.MILL-MAX.COM

ALL DIMENSIONS IN INCHES	SCALE	DATE	DRAWN	CHECKED	ENG. APPROVAL	DATE
INSULATOR TOLERANCES	18:1	10/02/01	D.M.			
PN TOLERANCES BEFORE PLATING						
LENGTHS: ±.005						
THICKNESS: ±.002						
DIAMETERS: ±.002						
HOLES: ±.002						
HOLES TO HOLE: ±.001						
NONACCUMULATIVE						

TITLE: .280" LONG CUSTOM RECEPTACLE  
 CUSTOMER APPROVAL: \_\_\_\_\_  
 DATE: \_\_\_\_\_  
 PROPOSAL NUMBER: PS-3663  
 REV: A

NOTES:  
 1. SHELL MATERIAL: BRASS ALLOY 360, 1/2 HARD.  
 2. SHELL FINISH: 10 μ" GOLD OVER 100 μ" NICKEL.  
 3. CONTACT MATERIAL: BERYLLIUM COPPER ALLOY 172, HEAT TREATED.  
 4. CONTACT FINISH: 10 μ" GOLD OVER 50 μ" NICKEL.



**MILL-MAX® MFG. CORP.**  
 P.O. BOX 300, 180 PINE HOLLOW ROAD, OYSTER BAY, NY 11771-0000  
 TEL: (516) 922-6000 FAX: (516) 922-9253 WEB: WWW.MILL-MAX.COM

ALL DIMENSIONS IN INCHES	SCALE	DATE	DRAWN	CHECKED	ENG. APPROVAL	DATE
INSULATOR TOLERANCES	18:1	10/02/01	D.M.			
PN TOLERANCES BEFORE PLATING						
LENGTHS: ±.005						
THICKNESS: ±.002						
DIAMETERS: ±.002						
HOLES: ±.002						
HOLES TO HOLE: ±.001						
NONACCUMULATIVE						

TITLE: MM #1147-0 MODIFIED  
 CUSTOMER APPROVAL: \_\_\_\_\_  
 DATE: \_\_\_\_\_  
 PROPOSAL NUMBER: PS-3662  
 REV: A

NOTES:  
 1. SHELL MATERIAL: BRASS ALLOY 360, 1/2 HARD.  
 2. SHELL FINISH: 10 μ" GOLD OVER 100 μ" NICKEL.  
 3. CONTACT MATERIAL: BERYLLIUM COPPER ALLOY 172, HEAT TREATED.  
 4. CONTACT FINISH: 10 μ" GOLD OVER 50 μ" NICKEL.