

Trimmer Potentiometers



SMD Sealed Type 3mm Size PVG3 Series

■ Features

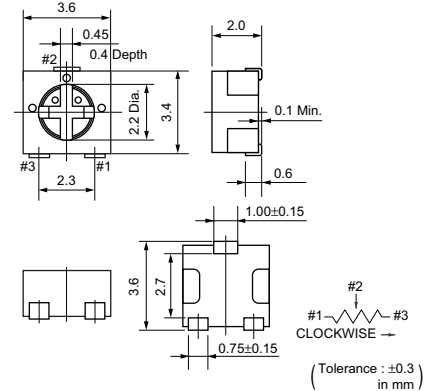
1. Sealed construction protects the interior from dust and liquid, which achieves stable performance.
2. Driver plate with cross-slot is suitable for automatic adjustment.
3. Rotor with large diameter and deep groove improves driver insertion.
4. 3mm and 4mm land pattern can be used without change. (Gull wing is suitable for 4mm size land pattern.)
5. Heat resistance performance enables high temperature peak re-flow soldering.
6. Complies with RoHS directive by new Cd free cermet resistive material. Pb free terminals with Sn plating.

■ Applications

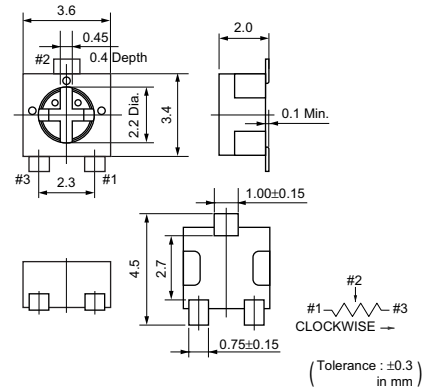
- | | |
|-------------------------|-------------------------------|
| 1. Small sensors | 2. Optical Transceiver Module |
| 3. Copier | 4. Printer |
| 5. Compact Power Supply | 6. Wireless Radio module |
| 7. Corner Sensor | 8. E-BOOK |



PVG 3A



PVG 3G



Top Adjustment (Standard Type)

Part Number	Power Rating (W)	Number of Turns (Effective Rotation Angle)	Mechanical Angle	Total Resistance Value	TCR (ppm/°C)
PVG3A100C01	0.25(70°C)	1 (210±10°)	250±10°	10ohm ±20%	±150
PVG3A200C01	0.25(70°C)	1 (210±10°)	250±10°	20ohm ±20%	±150
PVG3A500C01	0.25(70°C)	1 (210±10°)	250±10°	50ohm ±20%	±150
PVG3A101C01	0.25(70°C)	1 (210±10°)	250±10°	100ohm ±20%	±150
PVG3A201C01	0.25(70°C)	1 (210±10°)	250±10°	200ohm ±20%	±150
PVG3A501C01	0.25(70°C)	1 (210±10°)	250±10°	500ohm ±20%	±150
PVG3A102C01	0.25(70°C)	1 (210±10°)	250±10°	1k ohm ±20%	±150
PVG3A202C01	0.25(70°C)	1 (210±10°)	250±10°	2k ohm ±20%	±150
PVG3A502C01	0.25(70°C)	1 (210±10°)	250±10°	5k ohm ±20%	±150
PVG3A103C01	0.25(70°C)	1 (210±10°)	250±10°	10k ohm ±20%	±150
PVG3A203C01	0.25(70°C)	1 (210±10°)	250±10°	20k ohm ±20%	±150
PVG3A503C01	0.25(70°C)	1 (210±10°)	250±10°	50k ohm ±20%	±150
PVG3A104C01	0.25(70°C)	1 (210±10°)	250±10°	100k ohm ±20%	±150
PVG3A204C01	0.25(70°C)	1 (210±10°)	250±10°	200k ohm ±20%	±150
PVG3A504C01	0.25(70°C)	1 (210±10°)	250±10°	500k ohm ±20%	±150
PVG3A105C01	0.25(70°C)	1 (210±10°)	250±10°	1M ohm ±20%	±150
PVG3A205C01	0.25(70°C)	1 (210±10°)	250±10°	2M ohm ±20%	±150

Operating Temperature Range: -55 to 125 °C
 Soldering Method: Reflow/Soldering Iron