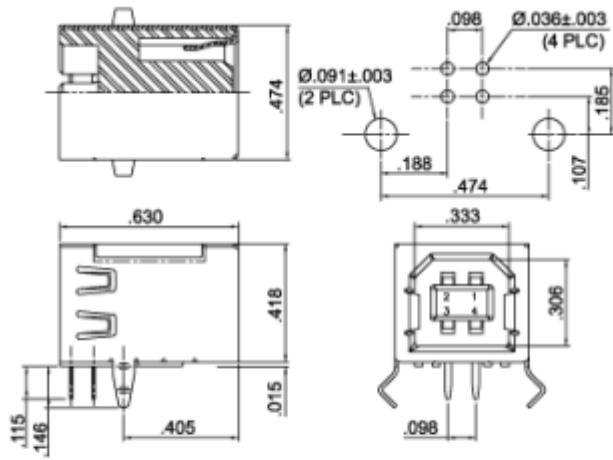




DATA SHEET

Product Number: 897-43-004-90-000000



Description:

USB Socket
Type B
Through Hole

Plating Code:

43

Shell Plating:

200 μ " Tin (matte finish) over 100 μ " Nickel

Inner Contact Plating:

30 μ " Gold over 50 μ " Nickel

Packaging:

Packaged in Trays

Note: USB Sockets with "30" (tin/lead) plating code are being discontinued and will only be available in RoHS compliant "43" (pure tin).

"30" plating is still available in limited quantities until all existing stock is depleted.

# Of Pins	Qty. per Tray	Mill-Max Part Number	RoHS Compliant
-----------	---------------	----------------------	----------------

4

150

897-43-004-90-000000

