

0,76 dia. Pins Straight, Surface Mount & Right Angle
Double Row

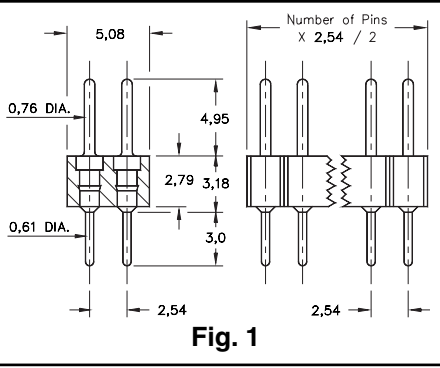
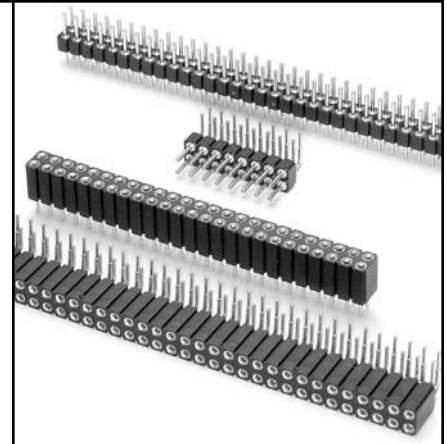


Fig. 1

- Pin interconnects available with straight MM #7007 or right angle MM #5005/5107 solder tails. See page 173 for details.
- Sockets are available with straight MM #1304 or right angle MM #1305/1306 solder tails. See pages 146 & 147 for details.
- MM #1304, #1305 & #1306 receptacles use Hi-Rel, 6-finger BeCu #47 contacts rated at 4.5 amps. Receptacles accept 0,76 diameter and 0,64 square pins. See page 211 for details.
- Insulators are high temp. thermoplastic.

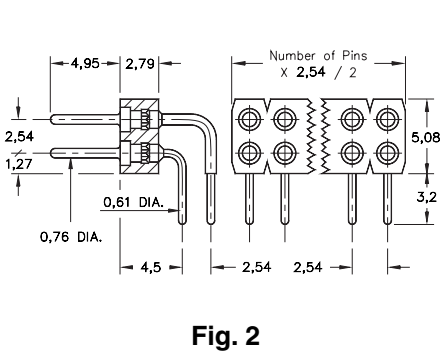


Fig. 2

Ordering Information

Fig. 1	Series 802...10-001	Straight Pin Header
	802-XX-0 __ -10-001000	
	Specify # of pins	02-64
Fig. 2	Series 802...20-001	Right Angle Pin Header
	802-XX-0 __ -20-001000	
	Specify # of pins	02-64

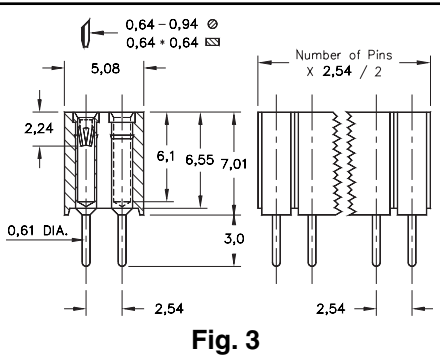


Fig. 3

XX= Plating Code See Below
For RoHS compliance select \diamond plating code.

SPECIFY PLATING CODE XX=	10 \diamond	90	40 \diamond	
Pin Plating	0,25 μ m Au	5,08 μ m Sn/Pb	5,08 μ m Sn	

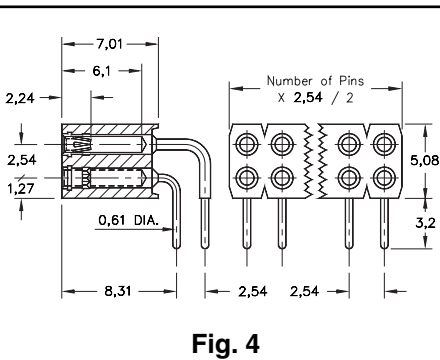


Fig. 4

Fig. 3	Series 803...10-001	Straight Socket
	803-XX-__ -10-001000	
	Specify # of pins	002-100

Fig. 4	Series 803...20-001	Right Angle Socket
	803-XX-__ -20-001000	
	Specify # of pins	002-100

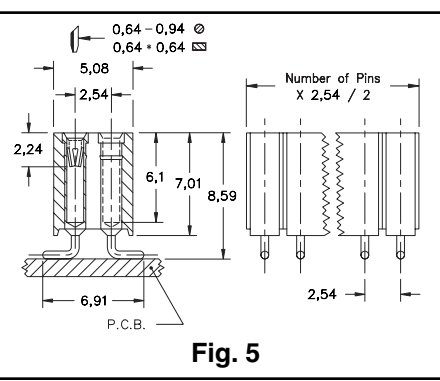


Fig. 5

Fig. 5	Series 803...30-001	Surface Mount Socket
	803-XX-__ -30-001000	
	Specify # of pins	002-100

XX= Plating Code See Below
For RoHS compliance select \diamond plating code.

SPECIFY PLATING CODE XX=	13 \diamond	93	99	43 \diamond	44 \diamond
Sleeve (Pin)	0,25 μ m Au	5,08 μ m Sn/Pb	5,08 μ m Sn/Pb	5,08 μ m Sn	5,08 μ m Sn
Contact (Clip)	0,76 μ m Au	0,76 μ m Au	5,08 μ m Sn/Pb	0,76 μ m Au	5,08 μ m Sn