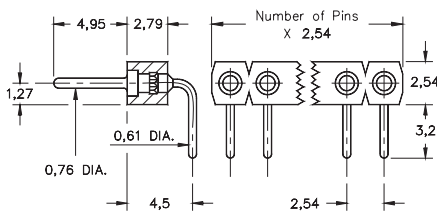
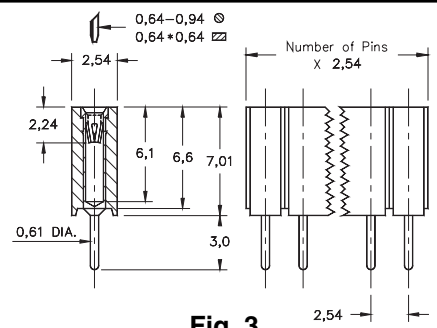


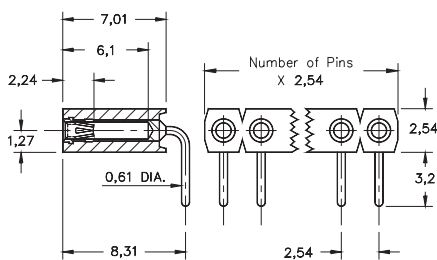
**Fig. 1**



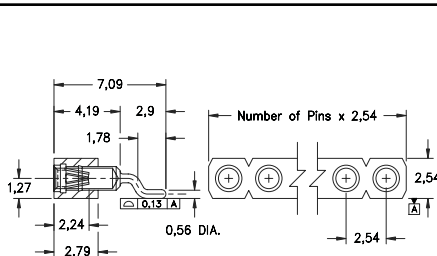
**Fig. 2**



**Fig. 3**

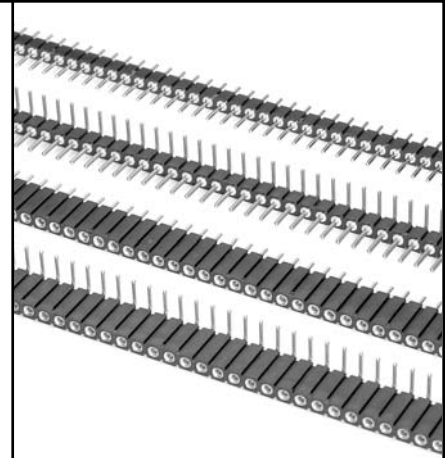


**Fig. 4**



**Fig. 5**

- Pin interconnects available with straight MM #7007 or right angle MM #5005 solder tails. See page 173 for details.
- Sockets are available with straight MM #1304 or right angle MM #1305 solder tails. See pages 146 & 147 for details.
- MM #1304 and MM #1305 receptacles use Hi-Rel, 6-finger BeCu #47 contacts rated at 4.5 amps. Receptacles accept 0,76 diameter and 0,64 square pins. See page 211 for details.
- Insulators are high temp. thermoplastic.



**Ordering Information**

<b>Fig. 1</b>	<b>Series 800...10-001</b>	<b>Straight Pin Header</b>																
	800-XX-0__-10-001000	Specify # of pins → 01-64																
<b>Fig. 2</b>	<b>Series 800...20-001</b>	<b>Right Angle Pin Header</b>																
	800-XX-0__-20-001000	Specify # of pins → 02-64																
SPECIFY PLATING CODE XX=																		
<table border="1"> <tr> <td>10</td> <td>90</td> <td>40</td> <td></td> </tr> <tr> <td>Pin Plating</td> <td>0,25µm Au</td> <td>5,08µm Sn/Pb</td> <td>5,08µm Sn</td> </tr> </table>				10	90	40		Pin Plating	0,25µm Au	5,08µm Sn/Pb	5,08µm Sn							
10	90	40																
Pin Plating	0,25µm Au	5,08µm Sn/Pb	5,08µm Sn															
<b>Fig. 3</b>	<b>Series 801...10-001</b>	<b>Straight Socket</b>																
	801-XX-0__-10-001000	Specify # of pins → 01-50																
<b>Fig. 4</b>	<b>Series 801...20-001</b>	<b>Right Angle Socket</b>																
	801-XX-0__-20-001000	Specify # of pins → 01-50																
<b>Fig. 5</b>	<b>Series 801...40-002</b>	<b>SMT Right Angle Socket</b>																
	801-XX-0__-40-002000	Specify # of pins → 02-10																
SPECIFY PLATING CODE XX=																		
<table border="1"> <tr> <td>13</td> <td>93</td> <td>99</td> <td>43</td> <td>44</td> </tr> <tr> <td>Sleeve (Pin)</td> <td>0,25µm Au</td> <td>5,08µm Sn/Pb</td> <td>5,08µm Sn/Pb</td> <td>5,08µm Sn</td> </tr> <tr> <td>Contact (Clip)</td> <td>0,76µm Au</td> <td>0,76µm Au</td> <td>5,08µm Sn/Pb</td> <td>0,76µm Au</td> </tr> </table>				13	93	99	43	44	Sleeve (Pin)	0,25µm Au	5,08µm Sn/Pb	5,08µm Sn/Pb	5,08µm Sn	Contact (Clip)	0,76µm Au	0,76µm Au	5,08µm Sn/Pb	0,76µm Au
13	93	99	43	44														
Sleeve (Pin)	0,25µm Au	5,08µm Sn/Pb	5,08µm Sn/Pb	5,08µm Sn														
Contact (Clip)	0,76µm Au	0,76µm Au	5,08µm Sn/Pb	0,76µm Au														