

Fig. 1

- Receptacles accept .030" diameter and .025" square pins such as Series 890 and 892 pin headers.
- Pin interconnects available with straight (MM# 7007) or right angle (MM# 5005) solder tails. (See page 173 for details)
- Sockets are available with straight (MM# 1304) or right angle (MM# 1305) solder tails. (See pages 146 & 147 for details)

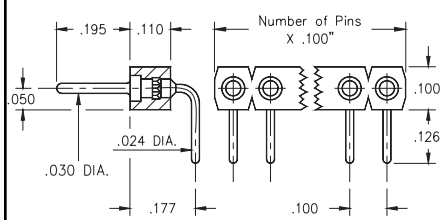
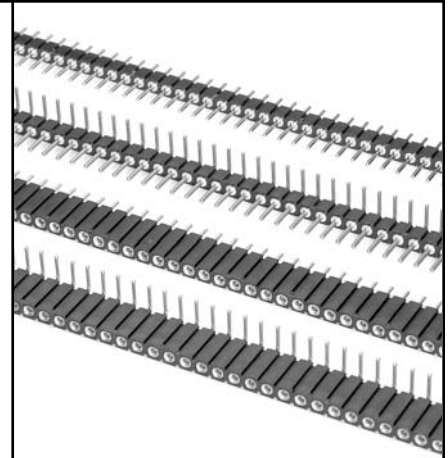


Fig. 2

Ordering Information

Fig. 1

Series 800...10-001	Straight Pin Header
800-XX-0__-10-001000	
Specify # of pins	└───> 01-64

Fig. 2

Series 800...20-001	Right Angle Pin Header
800-XX-0__-20-001000	
Specify # of pins	└───> 02-64

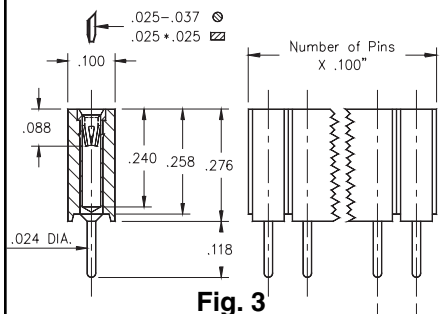


Fig. 3



XX= Plating Code
See Below

*For RoHS compliance, select \diamond plating code.
For the gold option (XX=10) also change part number from 80X-XX-0XX-10-002000 to 80X-10-0XX-10-002100*

SPECIFY PLATING CODE XX=	10 \diamond	90	40 \diamond	
Pin Plating	10 μ " Au	200 μ " Sn/Pb	200 μ " Sn	

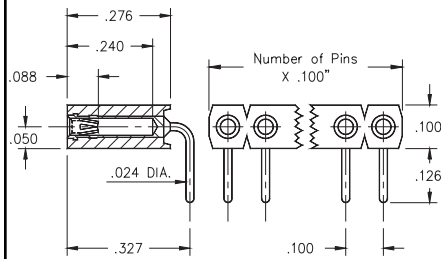


Fig. 4

Fig. 3

Series 801...10-001	Straight Socket
801-XX-0__-10-001000	
Specify # of pins	└───> 01-50

Fig. 4

Series 801...20-001	Right Angle Socket
801-XX-0__-20-001000	
Specify # of pins	└───> 01-50

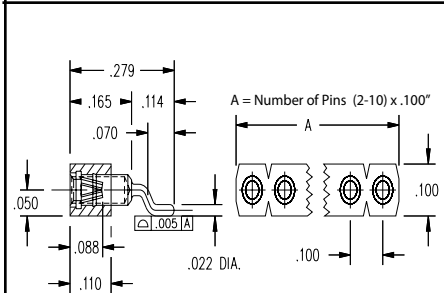


Fig. 5



XX= Plating Code
See Below

*For RoHS compliance, select \diamond plating code.
For the all gold option (XX=13) also change part number from 80X-XX-0XX-10-0X2000 to 80X-13-0XX-10-0X2100*

SPECIFY PLATING CODE XX=	13 \diamond	93	99	43 \diamond	44 \diamond
Sleeve (Pin)	10 μ " Au	200 μ " Sn/Pb	200 μ " Sn/Pb	200 μ " Sn	200 μ " Sn
Contact (Clip)	30 μ " Au	30 μ " Au	200 μ " Sn/Pb	30 μ " Au	200 μ " Sn