

**Solder Tail
Single Row**

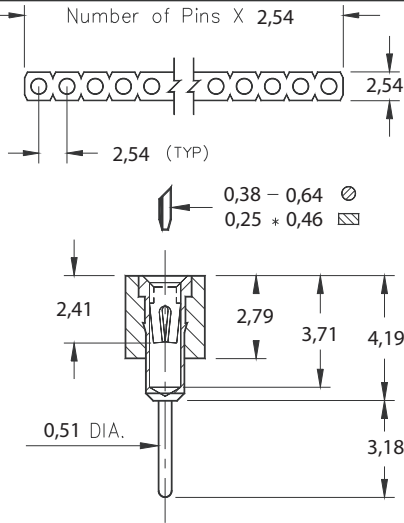


Fig. 1

- SIP sockets accept 0,38 - 0,64 diameter pins and standard IC leads.
- Various solder tails available: standard length, long for multi-layer boards, very low and ultra low profile. See Mill-Max #1001, 0134, 0501 or 1534 pins (See pages 130, 131, 134) for details.
- Hi-Rel, 4-finger BeCu #12 & #30 contacts are rated at 3 amps. See pages 207 & 208 for details.
- Insulators are high temp. thermoplastic.

Ordering Information

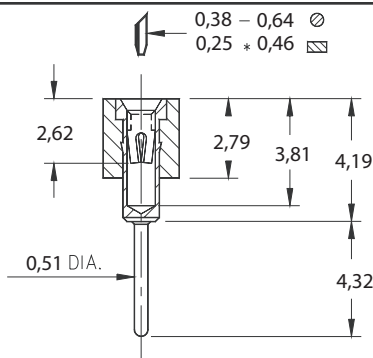


Fig. 2

Series 310...001 Standard Solder Tail

Fig. 1

310-XX-1__-41-001000

Specify # of pins → 01-64

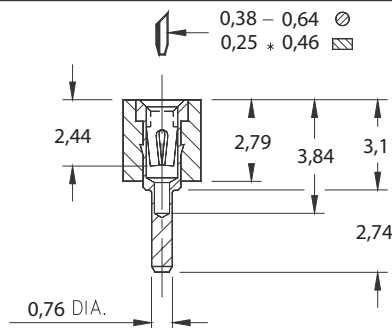


Fig. 3

Series 311...001 Long Solder Tail

Fig. 2

311-XX-1__-41-001000

Specify # of pins → 01-64

Series 315...001 Very Low Profile

Fig. 3

315-XX-1__-41-001000

Specify # of pins → 01-64

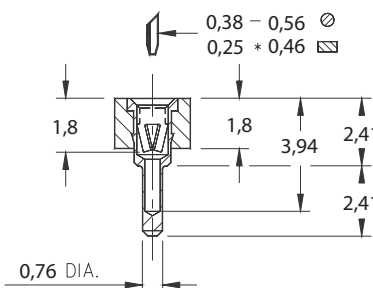


Fig. 4

Series 315...003 Ultra Low Profile

Fig. 4

315-XX-1__-41-003000

Specify # of pins → 01-64



For RoHS compliance select ◊ plating code.

SPECIFY PLATING CODE XX=	13◊	91	93	99	41◊	43◊	44◊
Sleeve (Pin)	0,25µm Au	5,08µm Sn/Pb	5,08µm Sn/Pb	5,08µm Sn/Pb	5,08µm Sn	5,08µm Sn	5,08µm Sn
Contact (Clip)	0,76µm Au	0,25µm Au	0,76µm Au	5,08µm Sn/Pb	0,25µm Au	0,76µm Au	5,08µm Sn