



Micro Commercial Components

Micro Commercial Components  
 20736 Marilla Street Chatsworth  
 CA 91311  
 Phone: (818) 701-4933  
 Fax: (818) 701-4939

# RB480K

## Features

- Low Current Rectification
- High Reliability
- Marking: 3T
- Case Material: Molded Plastic. UL Flammability Classificatio Rating 94-0 and MSL Rating 1

## 40 Volts Schottky Barrier Diode

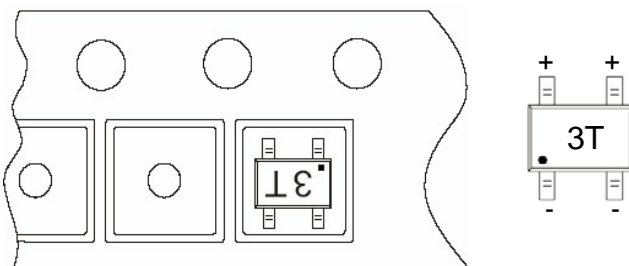
## Maximum Ratings

Symbol	Parameter	Rating	Unit
$V_{RM}$	Peak Reverse Voltage	45	V
$V_R$	DC Reverse Voltage	40	V
$I_O$	Mean Rectifying Current	0.1	A
$I_{FSM}$	Peak Forward Surge Current	1	A
$T_J$	Junction Temperature	125	°C
$T_{STG}$	Storage Temperature	-40 to +125	°C

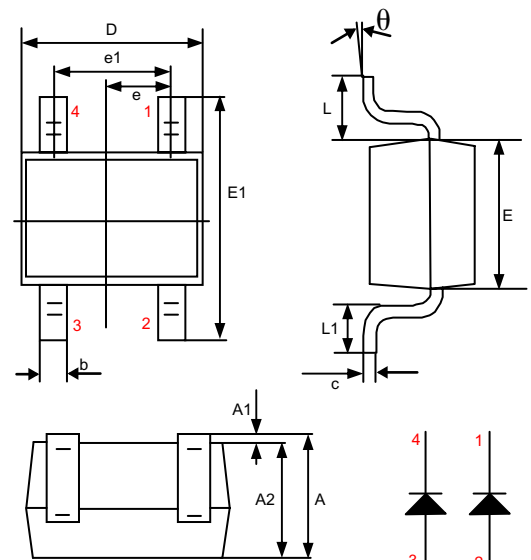
## Electrical Characteristics @ 25°C Unless Otherwise Specified

Symbol	Parameter	Min	Typ	Max	Units
<b>OFF CHARACTERISTICS</b>					
$V_F$	Forward Voltage ( $I_F=10mA_{dc}$ ) ( $I_F=100mA_{dc}$ )	---	---	0.45 0.60	Vdc
$I_R$	Reverse Current ( $V_R=10V_{dc}$ ) ( $V_R=40V_{dc}$ )	---	---	1 5	uAdc
$C_D$	Diode Capacitance ( $V_R=0V$ ) ( $V_R=10V, f=1MHz$ )	---	6	25	pF

## Pin Orientation in the Tape



## SOT-343



DIM	DIMENSIONS				NOTE
	INCHES		MM		
	MIN	MAX	MIN	MAX	
A	.035	.043	0.90	1.10	
A1	---	.004	---	0.10	
A2	.035	.039	0.9	1.00	
b	.006	.014	0.15	0.35	
c	.003	.006	0.08	0.15	
D	.079	.087	2.00	2.20	
E	.045	.053	1.15	1.35	
E1	.085	.096	2.15	2.45	
e	.026TYP		0.65TYP		
e1	.047	.055	1.20	1.40	
L	.021REF		0.525REF		
L1	.010	.018	0.26	0.46	
ø	0"	8"	0"	8"	

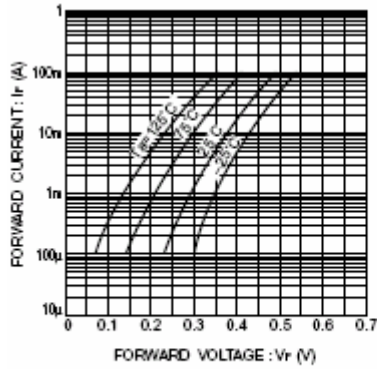


Fig.1 Forward temperature characteristics

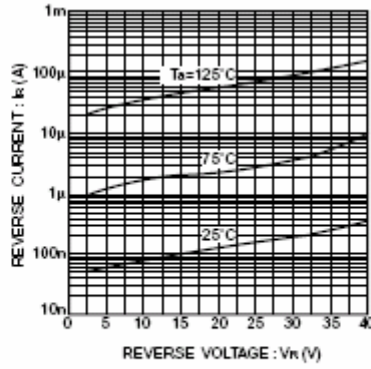


Fig.2 Reverse temperature characteristics

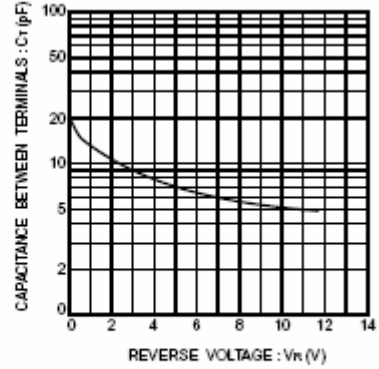


Fig.3 Capacitance between terminals characteristics

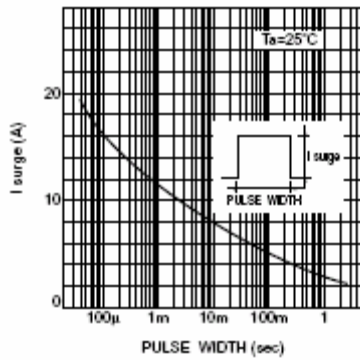
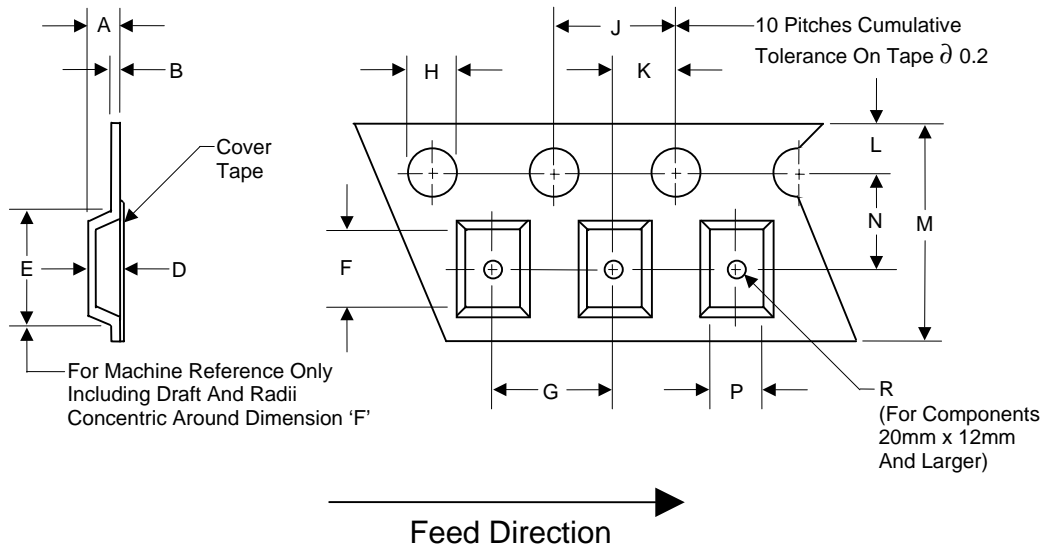


Fig.4 Surge current characteristics

# **SURFACE MOUNT**

## **Embossed Carrier Tape Specifications (8, 12, 16, 24mm Tape)**



Tape Size	H	L	J	B (Max)	D, F, P	Constant Dimensions
8,12,16,24	$1.5_{+0.1, -0.0}$	$1.75 \pm 0.10$	$4.0 \pm 0.1$	0.600	See Note 1	

Tape Size	E (Max)	R (Min)	N	A (Max)	K	M	Variable Dimensions
8mm	4.2	1.0	$3.5 \pm 0.05$	2.4	$2.0 \pm 0.05$	$8.0 \pm 0.30$	
12mm	8.2	1.5	$5.5 \pm 0.05$	4.5	$2.0 \pm 0.05$	$12.0 \pm 0.30$	
16mm	12.1	1.5	$7.5 \pm 0.10$	6.5	$2.0 \pm 0.10$	$16.0 \pm 0.30$	
24mm	20.1	1.5	$11.5 \pm 0.10$	11.9	$2.0 \pm 0.10$	$24.0 \pm 0.30$	

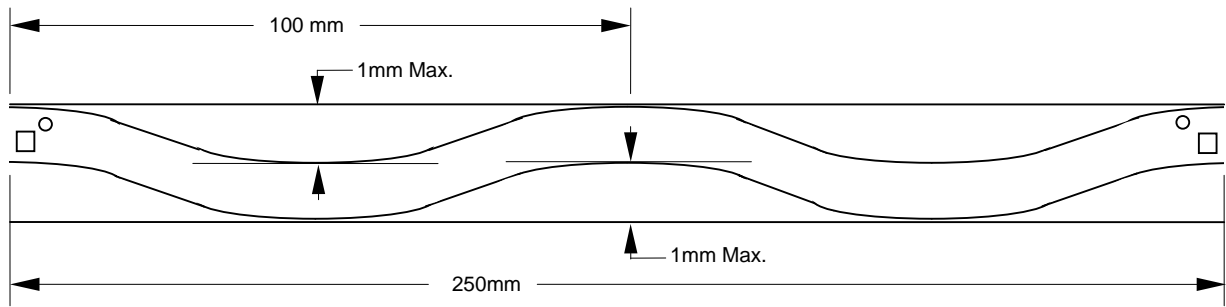
Tape Size	G			
	$4.0 \pm 0.10$	$8.0 \pm 0.10$	$12.0 \pm 0.10$	$16.0 \pm 0.10$
8mm	X			
12mm	X	X		
16mm	X	X	X	
24mm				X

Note: D, F, P are determined by constant size. The clearance between the part and the tape cavity must be within 0.05mm min. to 0.50mm max. for 8mm tape, 0.05mm min. to 0.65mm max. for 12mm tape and 0.05mm min. to 0.90mm max. for 16mm tape.

**SURFACE MOUNT**

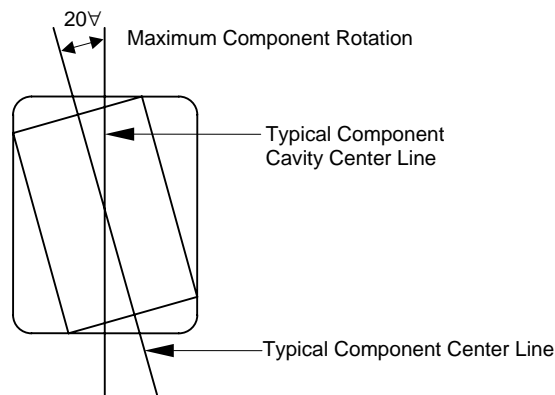


Tape Size	R Min.
8mm	25mm
12mm	30mm
16mm	30mm
24mm	30mm

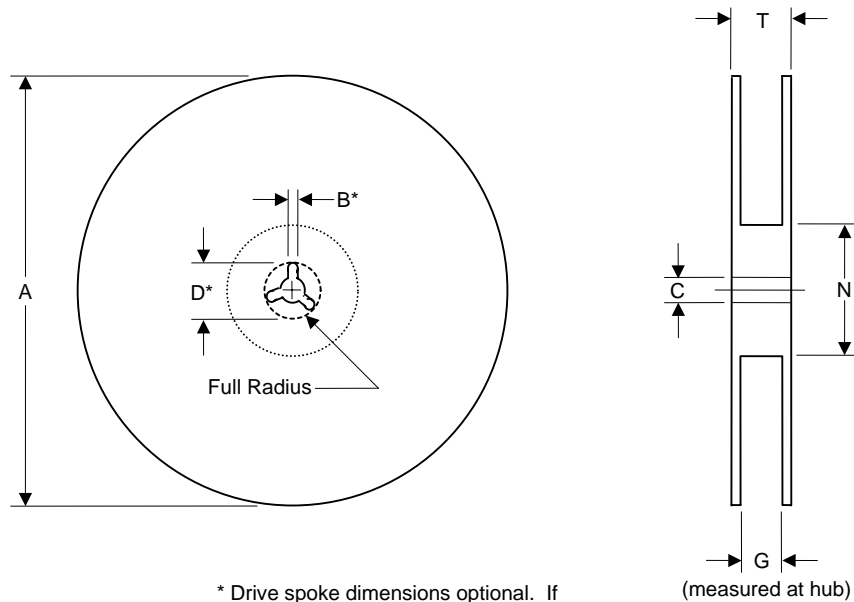


Camber (Top View)

Allowable camber to be 1mm/100mm non-accumulative over 250mm



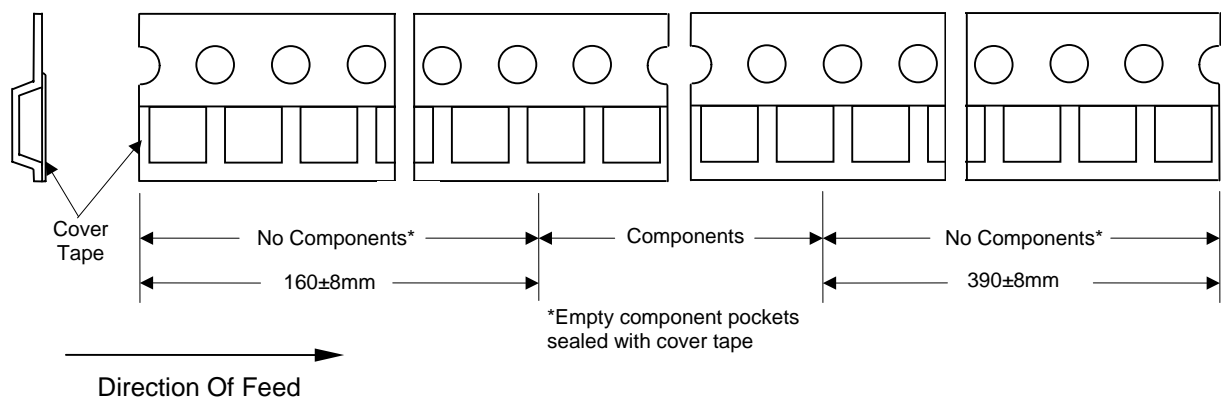
## SURFACE MOUNT



\* Drive spoke dimensions optional. If drive spoke is used then asterisked dimensions apply.

Tape Size	A Max.	B* Min.	C	D* Max.	N Min.	G	T Max.
8mm	330	1.5	13.0 $\pm$ 0.20	20.2	75	8.4 <sup>(+1.5/-0.0)</sup>	14.4
12mm	330	1.5	13.0 $\pm$ 0.20	20.2	75	12.4 <sup>(+2.0/-0.0)</sup>	18.4
16mm	360	1.5	13.0 $\pm$ 0.20	20.2	75	16.4 <sup>(+2.0/-0.0)</sup>	22.4
24mm	360	1.5	13.0 $\pm$ 0.20	20.2	75	24.4 <sup>(+2.0/-0.0)</sup>	30.4

### Start And Finish Specifications





Micro Commercial Components

## Ordering Information

Device	Packing
(Part Number)-TP	Tape&Reel;3Kpcs/Reel

**\*\*\*IMPORTANT NOTICE\*\*\***

*Micro Commercial Components Corp.* reserves the right to make changes without further notice to any product herein to make corrections, modifications, enhancements, improvements, or other changes. *Micro Commercial Components Corp.* does not assume any liability arising out of the application or use of any product described herein; neither does it convey any license under its patent rights, nor the rights of others. The user of products in such applications shall assume all risks of such use and will agree to hold *Micro Commercial Components Corp.* and all the companies whose products are represented on our website, harmless against all damages.

**\*\*\*APPLICATIONS DISCLAIMER\*\*\***

Products offer by *Micro Commercial Components Corp.* are not intended for use in Medical, Aerospace or Military Applications.