

Data sheet

RT056xxHBLU Typ 015

Page 1/5

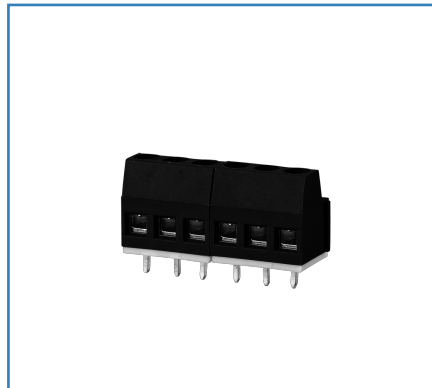
P/N
310151xx

xx=number of poles

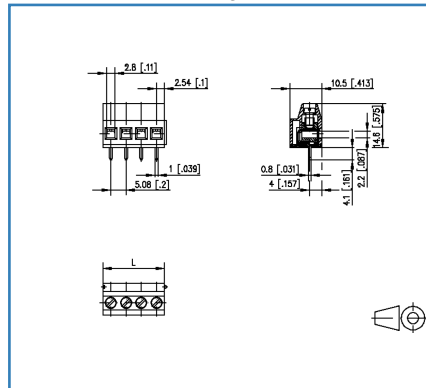
2019/10/24

Version: Y

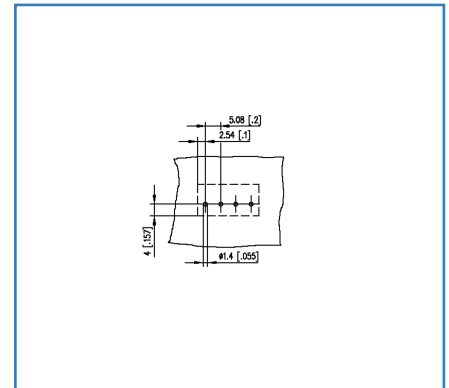
Illustrations



Dimensional drawing



Drill pattern



See enlarged drawings at the end of document

Product specification



- screw type terminal block, solderable
- centerline 5.08 mm, direction of connection 90°
- lift system, modular
- color black

Data sheet
RT056xxHBLU Typ 015

Technical Data

General Data			
Tightening torque SEV	0.5 Nm		
Tightening torque UL	8 lb-in		
Solder pin length	4.1 mm		
min. number of poles	2		
max. number of poles	3		
Insulating material class	CTI 600		
clearance/creepage dist.	3.9 mm		
protection category	IP20		
Min. insul. strip length	7 mm		
Overvoltage category	III	III	II
Pollution degree	3	2	2
Rated voltage	160 V	400 V	400 V
Rated test voltage	2.5 kV	2.5 kV	2.5 kV

Connection Data	
rat.wiring solid AWGmax	0.34 mm ² - 2.5 mm ² / AWG 28 - AWG 12
rat.wiring strand.AWGmax	0.34 mm ² - 2.5 mm ² / AWG 28 - AWG 12

Approvals	
 V / A / AWG	300 / 15 / 22 - 14
approval UL - File No.	E121004
 1.5 mm ²	250 V / 17.5 A / 17.5A / T60

Material	
insulating material	PA66
flammability class	V0
contact material	CuZn
contact surface	Ni + Sn
terminal body material	CuZn
terminal body surface	Ni
screw surface	Zn Cr(VI)-frei/free
screw thread	M3
Glow-Wire Flammability GWFI	960 °C acc. to IEC 60695-2-12
Glow-Wire Flammability GWIT	775 °C acc. to IEC 60695-2-13
REACH - substance (SVHC)	Lead / 7439-92-1

Data sheet
RT056xxHBLU Typ 015

Page 3/5

P/N
310151xx
xx=number of poles
2019/10/24
Version: Y**Technical Data****Climatic Data**

upper limit temperature	105 °C
lower limit temperature	-40 °C

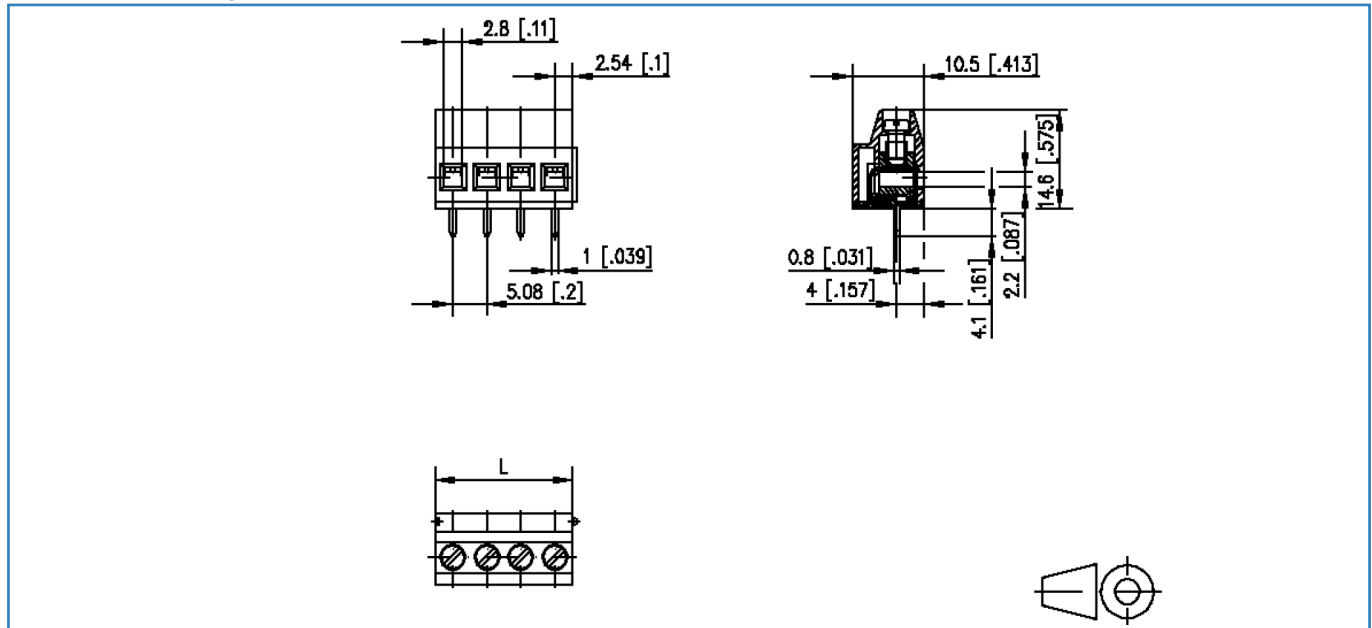
General

Tolerance	ISO 2768 -mH
Solderability	Acc. to JEDEC JESD22-B102E 245°C/5s



Illustrations

Dimensional drawing



$L = (\text{pole size} - 1) \times \text{centerline} + 5.08 \text{ mm } [0.2]$

© 2019 METZ CONNECT - Technische Änderungen vorbehalten! Subject to modifications! Sous réserve de modifications techniques!

Illustrations

Drill pattern

