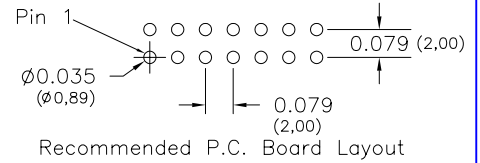
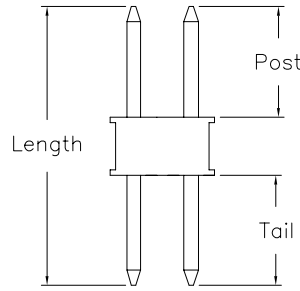
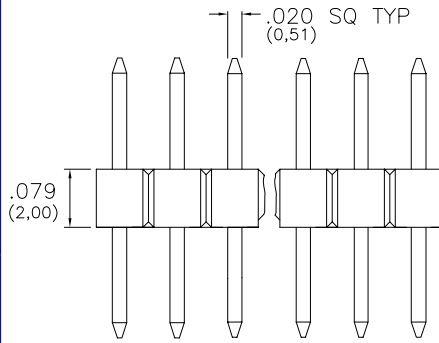
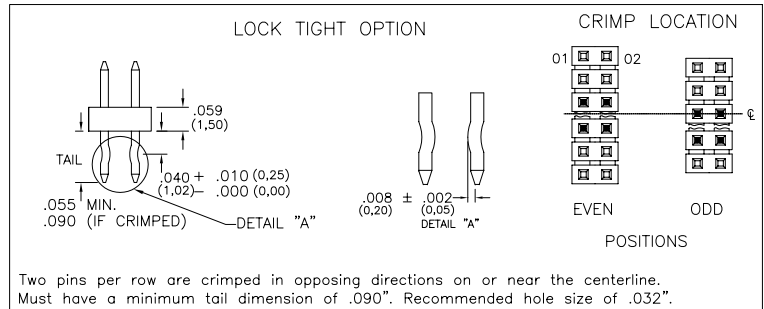
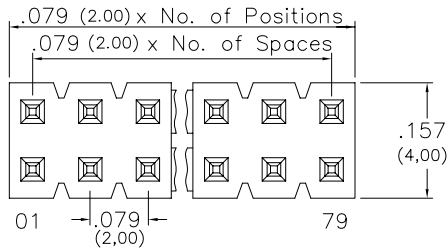


Major League Electronics .079 cl Thicker Terminal Strip Headers - Standard



Tails may be clipped to achieve desired pin length

Ordering Information

TTSHS-2 [XX] - [D] - [XX] - [XX] - [XX] - [XXX] - [LF]

Pins Per Row

01 - 40

Row Specification

D = Dual Row

Lead Free

Polarized Position

Leave blank if not needed

If required, specify empty pin position, e.g. 012 for Pin 12

Lock Tight "LT" Option

Leave blank if not needed

LT = With

Pin Options				
Length		Post Height		
.234	5.94mm	.065	1.65mm	02
.255	6.45mm	.075	1.91mm	04
.302	7.67mm	.126	3.20mm	06
.323	8.20mm	.146	3.71mm	08

Plating Options

G	10µ Gold on Contact Area / Flash on Tail
T	Matte Tin All Over
GT	10µ Gold on Contact Area / Matte Tin on Tail
H	30µ Gold on Contact Area / Matte Tin on Tail
F	Gold Flash over Entire Pin

Specifications

Current Rating: 3.0 Ampere

Insulation Resistance: 1000MΩ Min.

Dielectric Withstanding: 500V AC

Contact Resistance: 20 mΩ Max.

Operating Temperature: -40°C to + 105°C

Max. Process Temperature:

Peak: 260°C up to 10 secs.

Process: 230°C up to 60 secs.

Wave: 260°C up to 6 secs.

Manual Solder: 350°C up to 5 secs.

Materials

Contact Material: Phosphor Bronze

Insulator Material: Nylon 6T

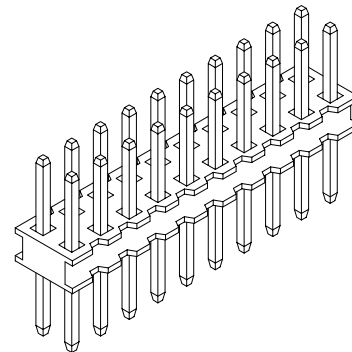
Plating: Au or Sn over 50µ" (1,27) Ni

Products cut to specific sizes are uncancellable/nonreturnable

Parts are subject to change without notice

Mates with:

BCSS,
BSSH,
BSSHC,
BSSQ,
BSSQC,
BSSQM,
LSMBC,
LSSHSM,
SMBC,
SSHQ,
SSHQR,
SSHR,
SSHS,
SSHSM,
ULSMBC



TTSHS-2-D SERIES

.079cl Dual Row - Standard
Thicker Terminal Strip Headers

21 FEB 07

Scale
NTS

UNLESS OTHERWISE SPECIFIED
DIMENSIONS IN INCHES (MM)
TOLERANCES ARE:

ONE PLACE DECIMALS ±.100
TWO PLACE DECIMALS ±.010
THREE PLACE DECIMALS ±.005
FOUR PLACE DECIMALS ±.0020



4235 Earnings Way, New Albany, Indiana, 47150, USA
1-800-782-3486 (USA/Canada/Mexico)

Tel: 812-944-7244

Fax: 812-944-7268

E-mail: mle@mlelectronics.com

Web: www.mlelectronics.com

Edition
1

Sheet
1/1