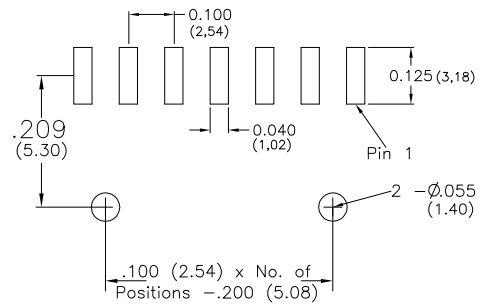
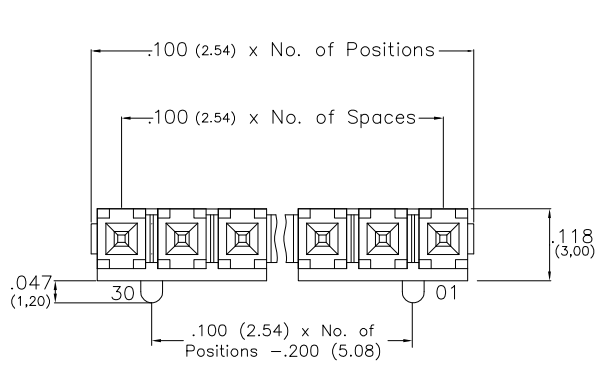
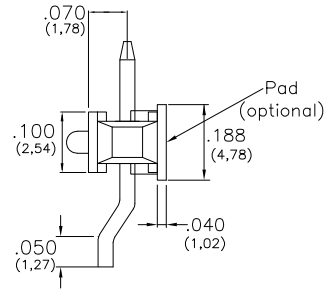
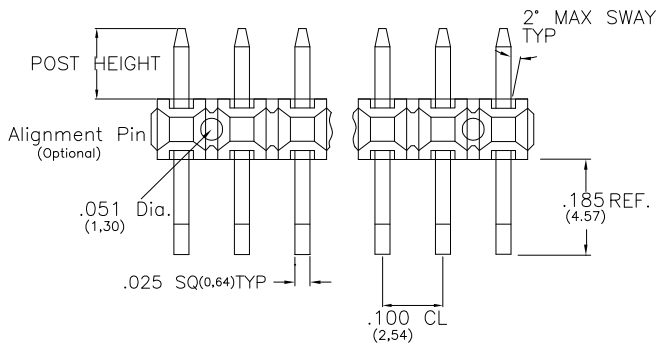


Major League Electronics .100 cl Terminal Strip Header - Surface Mount - Horizontal

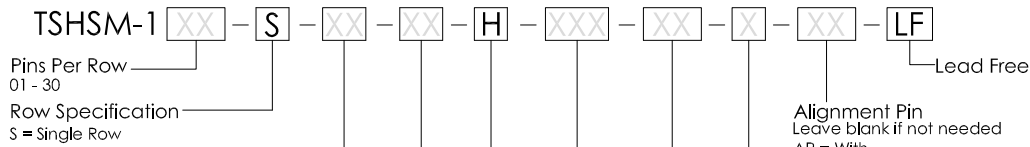


Recommended P.C. Board Layout



Tails may be clipped to achieve desired pin length

Ordering Information



Pin Options		
Post Height		
.120	3.05mm	01
.230	5.84mm	02
.320	8.12mm	04
.420	10.67mm	06
.530	13.46mm	08
.630	16.00mm	10
.730	18.54mm	12
.830	21.08mm	14
.930	23.62mm	16

Packing Information
 TR-P = Tape and Reel with Plastic Pick and Place pad
 TB-P = Tube with Plastic Pick and Place pad
 TB-0 = Tube without Pick and Place Pad
 If left blank, packaging at MLE's discretion

Polarized Position
 Leave blank if not needed
 If required, specify empty pin position, e.g. 012 for Pin 12

Horizontal

Plating Options	
T	Matte Tin all Over
H	30µ Gold on Contact Area / Matte Tin on Tail
GT	10µ Gold on Contact Area / Matte Tin on Tail
F	Gold Flash over Entire Pin

Mates with:
 BCSS,
 BSSH,
 BSSHC,
 BSSQ,
 BSSQC,
 BSSQM,
 LBCSS,
 LSMBC,
 LSWSS,
 SMBC,
 SSHQ,
 SSHQR,
 SSHR,
 SSSH,
 SSSHM

Specifications

Current Rating: 3.0 Ampere
 Insulation Resistance: 1000MΩ Min.
 Dielectric Withstanding: 600V AC
 Contact Resistance: 20 mΩ Max.
 Operating Temperature: -40°C to + 105°C
 Max. Process Temperature:
 Peak: 260°C up to 20 secs.
 Process: 230°C up to 60 secs.
 Wave: 260°C up to 6 secs.
 Reflow: 260°C up to 10 secs.
 Manual Solder: 350°C up to 5 secs.

Materials

Contact Material: Phosphor Bronze
 Insulator Material: Nylon 6T
 Plating: Au or Sn over 50µ' (1.27) Ni

Products cut to specific sizes are uncancellable/nonreturnable

Parts are subject to change without notice

TSHSM-1-SH SERIES

.100 cl Single Row - Horizontal
 Terminal Strip Header - Surface Mount

31 JAN 07

Scale
 NTS

UNLESS OTHERWISE SPECIFIED
 DIMENSIONS IN INCHES (MM)
 TOLERANCES ARE:

ONE PLACE DECIMALS ±.100
 TWO PLACE DECIMALS ±.010
 THREE PLACE DECIMALS ±.005
 FOUR PLACE DECIMALS ±.0020
 ANGLES
 ±5°



4235 Earnings Way, New Albany, Indiana, 47150, USA
 1-800-782-3486 (USA/Canada/Mexico)
 Tel: 812-944-7244
 Fax: 812-944-7268
 E-mail: mle@mlelectronics.com
 Web: www.mlelectronics.com

Edition
 1

Sheet
 1/1