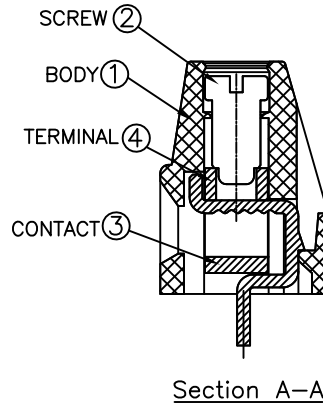
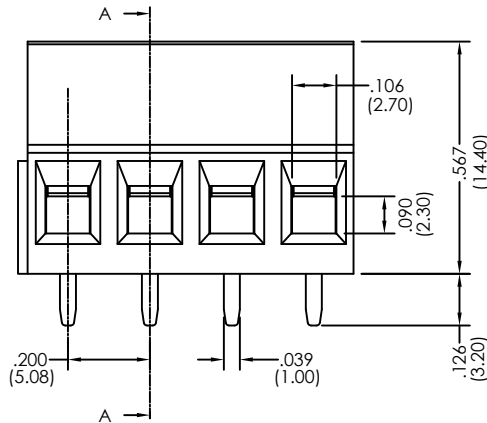
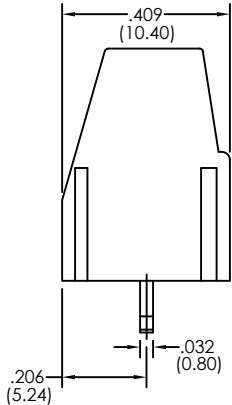
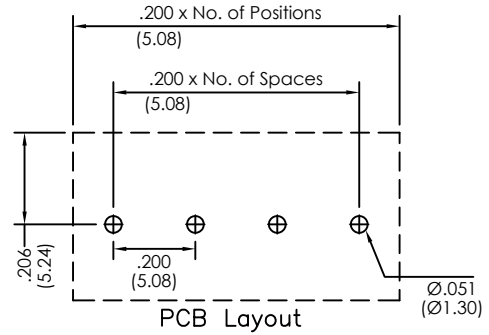
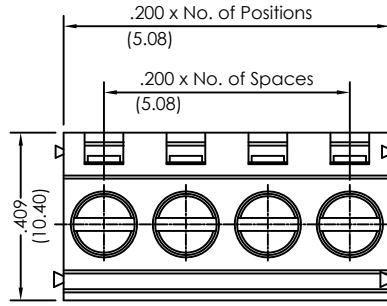


Major League Electronics .200 cl Rising Clamp Terminal Blocks



Ordering Information

TBR-03- 200 - XX - XX - LF

Pitch
200 = .200 (5.08) cl

No. of Positions
02 - 24

Lead Free

Color

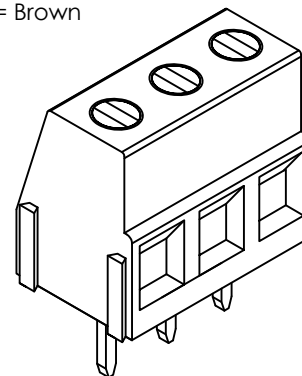
- GR = Green (Standard)
- BK = Black
- BL = Blue
- WH = White
- GY = Grey
- OR = Orange
- YW = Yellow
- RD = Red
- BR = Brown

Specifications

- Current Rating: 10 Ampere
- Voltage Rating: AC 300V
- Wire Range: 12-26 AWG
- Dielectric Withstanding Voltage: AC 2500V/1 minute
- Insulation Resistance: DC 500V 1000MΩ
- Operating Temperature: -33°C to + 105°C
- Max Torque: 3.47 kb-in (4.0kgf. cm)
- Strip Length: .236-.315 (6-8mm)

Materials

1. Body: PA66 (Nylon), UL94 V-0
2. Screw: M3.0, C1018 Steel, Zinc Plated
3. Contact: Brass, Nickel Plated
4. Terminal: Brass, Tin Plated



Parts are subject to change without notice

TBR-03-200-XX-XX-LF

.200cl Rising Clamp Terminal Block
Interlock

25 NOV 09

Scale
NTS

UNLESS OTHERWISE SPECIFIED
DIMENSIONS IN INCHES (MM)
TOLERANCES IN INCHES:

ONE DECIMAL PLACE ±0.30
TWO DECIMAL PLACE ±0.20
THREE DECIMAL PLACE ±0.15
FOUR DECIMAL PLACE ±0.10



4235 Earnings Way, New Albany, Indiana, 47150, USA
1-800-782-3486 (USA/Canada/Mexico)
Tel: 812-944-7244
Fax: 812-944-7268
E-mail: mle@mlelectronics.com
Web: www.mlelectronics.com

Edition
1

Sheet
1/1