

REVISION

DATE	ENG.	
8-02-01	GWE	A
DESCRIPTION		
ADDED REV LEVEL		
DATE	ENG.	
02-22-02	GWE	B
DESCRIPTION		
CHNG'D TAIL DIM		
DATE	ENG.	
06-23-03	JRB	C
DESCRIPTION		
Added Tail Tol.		

UNLESS OTHERWISE SPECIFIED TOLERANCES ARE:

DIMENSIONS IN INCHES	ONE PLACE DECIMALS ±.100	THREE PLACE DECIMALS ±.005	ANGLES
	TWO PLACE DECIMALS ±.010	FOUR PLACE DECIMALS ±.0020	±

SMSS-6XX-S-XX-XX-Y-XXX-S-XX-X

PINS PER ROW _____

ROW SPECIFICATION _____

D = DOUBLE

STYLE _____

(SEE TABLE A)

PAD _____

TAPE AND REEL _____

S OR M FOOTPRINT _____

POLARIZATION OPTION _____

VERTICAL OPTION _____

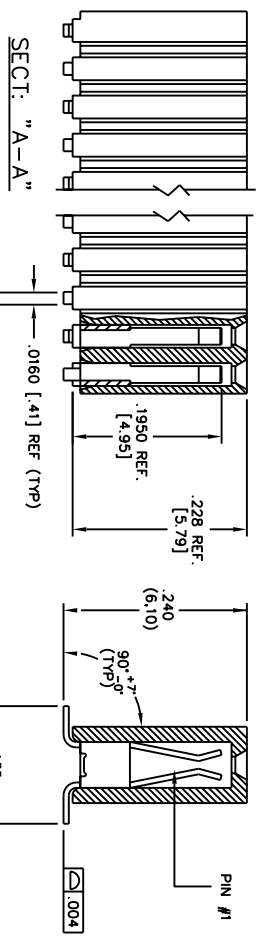
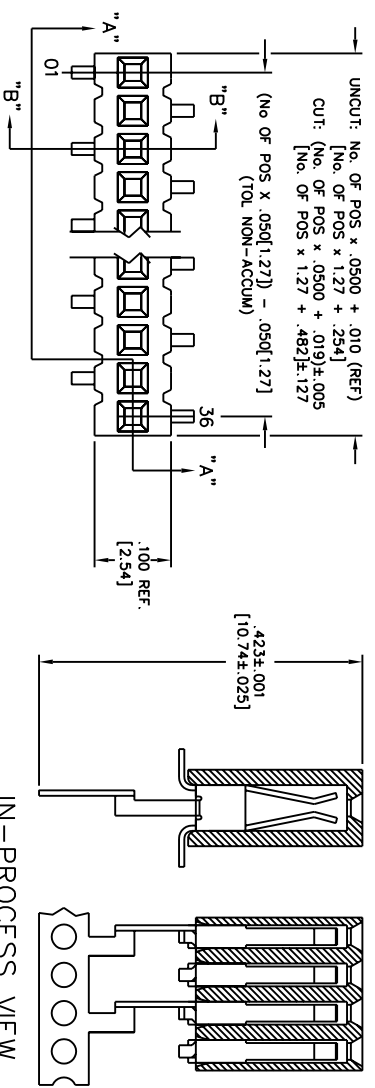
PLATING OPTIONS

T = TIN

GT = GOLD OVER TIN

H = HEAVY GOLD OVER TIN

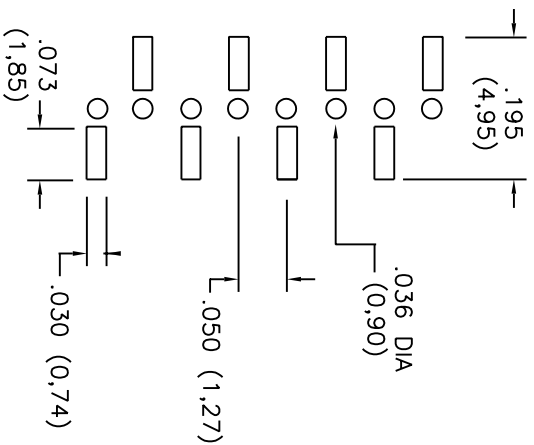
NOTE:
1.) CONTACTS NOT TO BE INTERLEAVED



- NOTE:
1. MAX TERMINAL PUSHOUT 2 LBS MIN.
 2. MAX. PIN ROTATION 2°
 3. MAX ALLOWABLE WARPAGE .005 IN/IN. AFTER ASSY.
 4. REPRESENTS A CRITICAL DIMENSION.
 5. INSULATOR MATERIAL: STANYL TE250 F6 BLACK
 6. TERMINAL MATERIAL: PHOSPHOR BRONZ
 7. FOOTPRINT TO BE SEARED TO DIMENSION INDICATED.

PIN OPTIONS

PIN STYLE	PIN GALV	BODY
04	C-027-02	SSB-6-S-50



RECOMMENDED P.C. BOARD LAYOUT

(-S SERIES)

Major League
E L E C T R O N I C S

SMSS-6XX-S-V-S

DR BY:	CK BY:	
TIM BURTON	D.COFFMAN	
DATE:	SCALE:	ND.
	4 : 1	

Proprietary Note

This document contains information confidential and proprietary to Major League Electronics, Inc. and is not to be distributed, copied, or referred to other documents or any purpose other than that for which it was obtained without the express written consent of Major League Electronics, Inc.