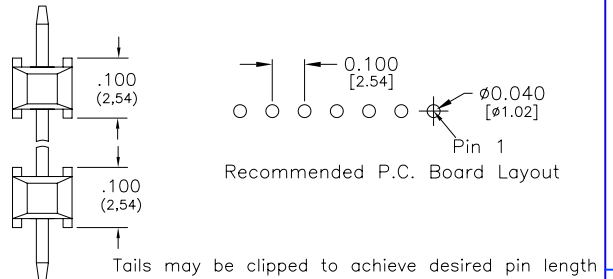
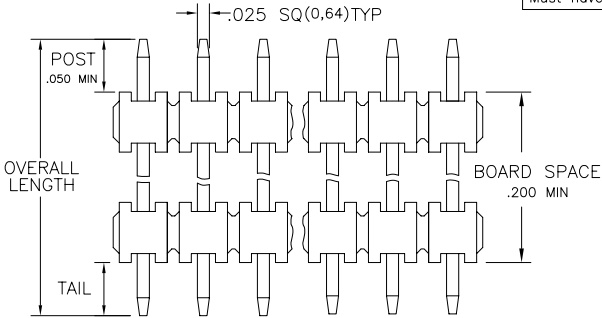
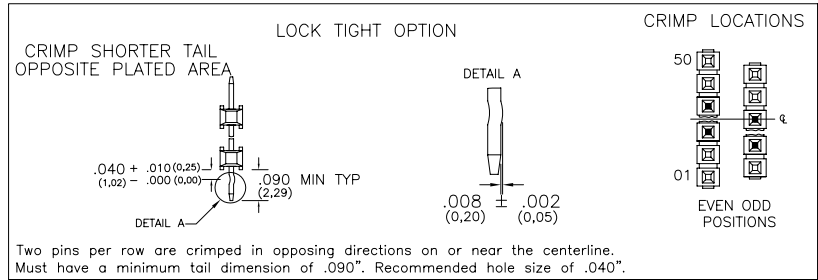
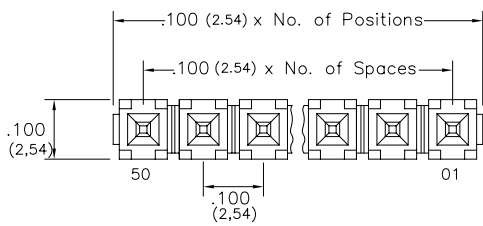
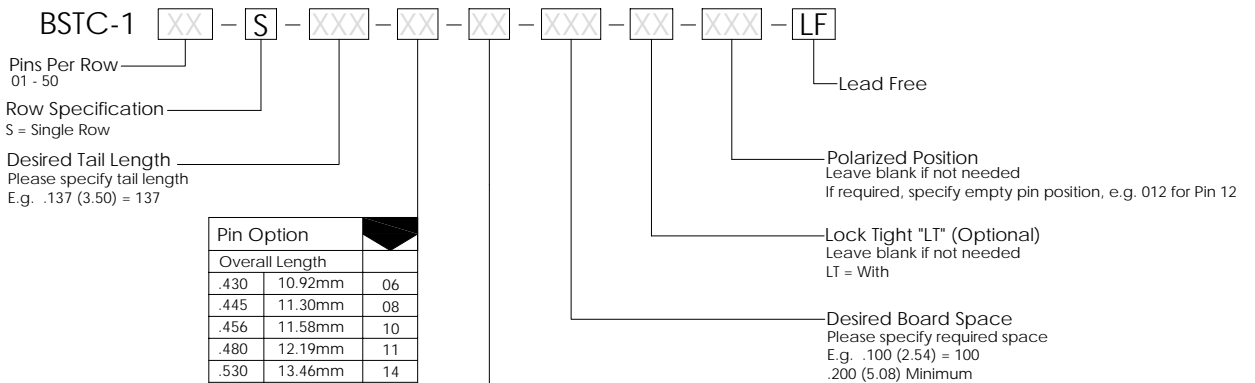


# Major League Electronics .100 cl Board Stacker Terminal Strips - Custom



Length (L) – Board Space (B) – Tail Length (T) = Post Height (P)

## Ordering Information



Pin Option		
Overall Length		
.430	10.92mm	06
.445	11.30mm	08
.456	11.58mm	10
.480	12.19mm	11
.530	13.46mm	14
.630	16.00mm	16
.730	18.54mm	20
.830	21.08mm	22
.930	23.62mm	24
1.030	26.16mm	26
1.130	28.70mm	28
1.230	31.24mm	30
1.330	33.78mm	32
1.430	36.32mm	34
1.530	38.86mm	36

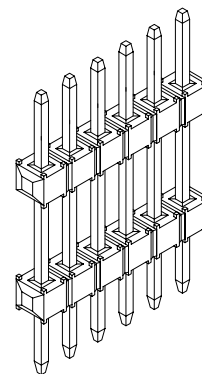
Plating Options	
G	- 10µ Gold on Contact area/Flash on Tail
T	- Matte Tin all Over
GT	- 10µ Gold on Contact Area / Matte Tin on Tail
H	- 30µ Gold on Contact Area / Matte Tin on Tail
F	- Gold Flash over Entire Pin

## Specifications

- Current Rating: 3.0 Ampere
- Insulation Resistance: 1000MΩ Min.
- Dielectric Withstanding: 600V AC
- Contact Resistance: 20 mΩ Max.
- Operating Temperature: -40°C to + 105°C
- Max. Process Temperature:
  - Peak: 260°C up to 20 secs.
  - Process: 230°C up to 60 secs.
  - Wave: 260°C up to 6 secs.
  - Manual Solder: 350°C up to 5 secs.

## Materials

- Contact Material: Phosphor Bronze
- Insulator Material: Nylon 6T
- Plating: Au or Sn over 50µ" (1,27) Ni



## Mates with:

- BCSS,
- BSSH,
- BSSHC,
- BSSQ,
- BSSQC,
- BSSQM,
- LBCSS,
- LSMBC,
- LSWSS,
- SMBC,
- SSHQ,
- SSHQR,
- SSHR,
- SSHS,
- SSHSM

Products cut to specific sizes are uncancellable/nonreturnable

Parts are subject to change without notice

**BSTC-1-S SERIES**

.100 cl Single Row  
Board Stacker Terminal Strips - Custom

05 JAN 07

Scale  
NTS

UNLESS OTHERWISE SPECIFIED  
DIMENSIONS IN INCHES (MM)  
TOLERANCES ARE:

ONE PLACE DECIMALS ±.100  
TWO PLACE DECIMALS ±.010  
THREE PLACE DECIMALS ±.005  
FOUR PLACE DECIMALS ±.0020  
ANGLES  
±.5



4235 Earnings Way, New Albany, Indiana, 47150, USA  
1-800-782-3486 (USA/Canada/Mexico)

Tel: 812-944-7244  
Fax: 812-944-7268  
E-mail: mle@mlelectronics.com  
Web: www.mlelectronics.com

Edition  
1

Sheet  
1/1