

# CT200 SERIES

## Current Sensor



### Description

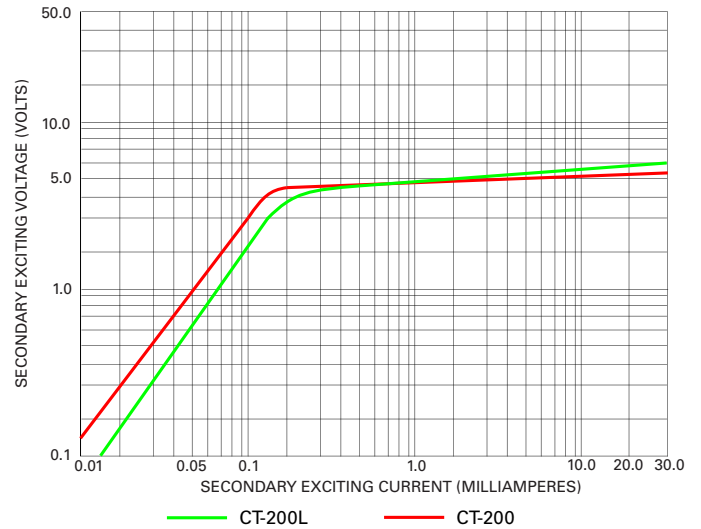
The CT200 series is a current transformer used with Littelfuse relays to detect earth-leakage or phase current.

### Specifications

<b>Turns Ratio</b>	200:5
<b>Current Rating</b>	200:5 A
<b>Accuracy</b>	2 VA 10P10 (± 3% at rated current, ± 10% at 10x rated current)
<b>Frequency</b>	50/60 Hz
<b>Insulation Level</b>	600 V
<b>Operating Temperature</b>	-55 to 60°C (-67 to 140°F)
<b>Application</b>	FPU-32, FPS, MPU-32, MPS, PGR-8800, SE-105, SE-107, SE-325, SE-330, SE-701
<b>Certification</b>	CSA, UL
<b>Compliance</b>	RoHS

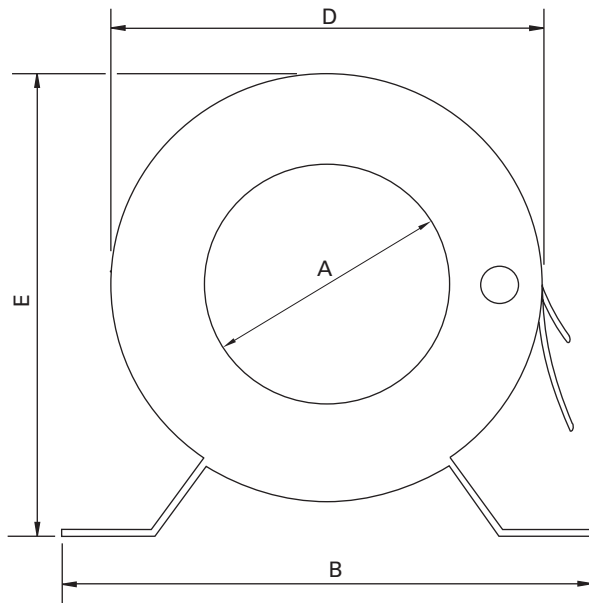
### Ordering Information

ORDERING NUMBER	WINDOW SIZE, 1D	WEIGHT
CT200	56 mm (2.2")	0.5 kg (1.2 lb)
CT200L	89 mm (3.5")	0.8 kg (1.8 lb)

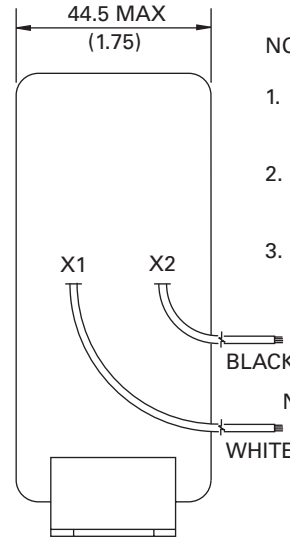


# CT200 SERIES

## Dimensions and Mounting Diagram



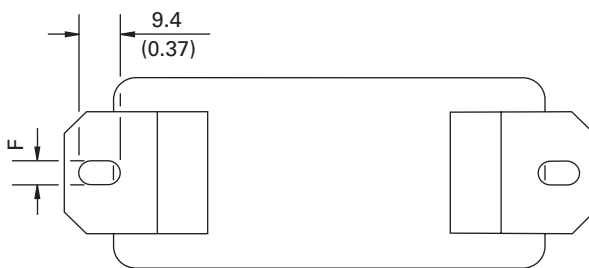
FRONT



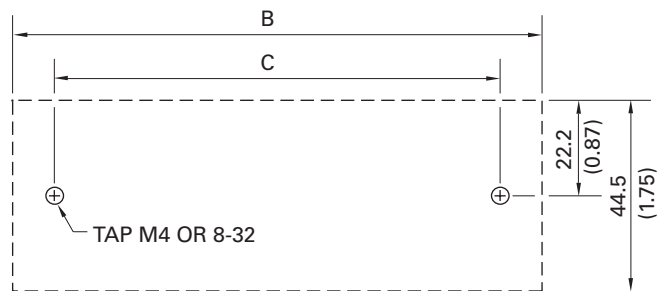
SIDE

NOTES:

1. DIMENSIONS IN MILLIMETRES (INCHES).
2. MOUNTING SCREWS: M4 OR 8-32.
3. SECONDARY LEADS 14 AWG (2.08 MM<sup>2</sup>), 609.6 MM (24.00")



BOTTOM



MOUNTING DETAIL

PART NUMBER	DIMENSIONS					
	A	B	C	D	E	F
CT200	55.9 (2.20)	120.7 (4.75)	101.6 (4.00)	98.3 (3.87)	108.0 (4.25)	5.6 (0.22)
CT200L	88.9 (3.50)	154.0 (6.06)	133.4 (5.25)	139.7 (5.50)	144.5 (5.69)	7.1 (0.28)